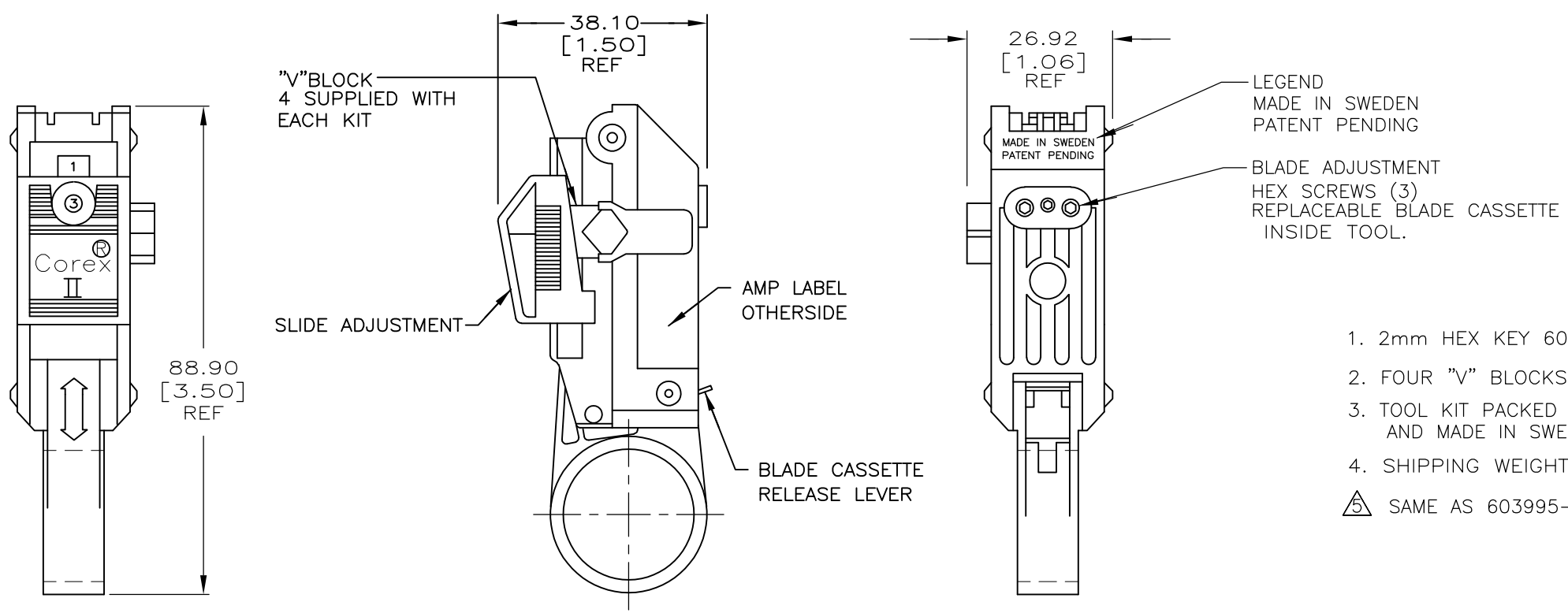


LOC	DIST	REVISIONS					
AJ	16	P	LTR	DESCRIPTION	DATE	DWN	APVD
		P		REVISED PER ECO-11-005294	02APR11	RK	HMR



1. 2mm HEX KEY 603988-1, SUPPLIED WITH EACH KIT.
 2. FOUR "V" BLOCKS & ADJUSTMENT GAUGE, SUPPLIED WITH EACH KIT.
 3. TOOL KIT PACKED IN VINYL POUCH OR BOX WITH PART NUMBER AND MADE IN SWEDEN ON LABELS
 4. SHIPPING WEIGHT .19 Lb.
- △ SAME AS 603995-1 EXCEPT, 10 PER PACKAGE

TOOL KIT NO.	CASSETTE
603995-1	603996-1
603995-2	603996-2
603995-3	603996-3
603995-5	603996-4
603995-6	603996-5

2 STEP STYLE FOR SINGLE CRIMP BNC △	603995-9
3 STEP STYLE FOR DUAL CRIMP COMMERCIAL BNC	603995-6
3 STEP STYLE FOR DUAL CRIMP BNC	603995-5
2 STEP STYLE FOR ECONOMY UHF	603995-3
2 STEP STYLE FOR COMMERCIAL BNC	603995-2
2 STEP STYLE FOR SINGLE CRIMP BNC	603995-1
DESCRIPTION	PART NO

"V" BLOCK		CABLE	
PART NO.	COLOR	DIA. RANGE	RG #
603997-1	RED	3.05-5.08 [.120-.200]	195
603997-2	BLUE	5.08-6.35 [.200-.250]	58, 59, 62
603997-3	YELLOW	6.35-7.62 [.250-.300]	BELDEN 8281
603997-4	WHITE	2.54-3.05 [.100-.120]	174, 188

THIS DRAWING IS A CONTROLLED DOCUMENT.		DWN	J.L.GROFT	6-21-95	TE Connectivity NAME COAXIAL CABLE STRIPPER
DIMENSIONS: MM [INCHES]		CHK	R.J.KOBLER	6-21-95	
TOLERANCES UNLESS OTHERWISE SPECIFIED:		APVD	R.J.KOBLER	6-21-95	
0 PLC ± - 1 PLC ± - 2 PLC ± 0.38 [.015] 3 PLC ± - 4 PLC ± - ANGLES ± -		PRODUCT SPEC	-	-	
MATERIAL	-	FINISH	-	-	APPLICATION SPEC - WEIGHT -
CUSTOMER DRAWING				SIZE	A3
				CAGE CODE	00779
				DRAWING NO	C-603995
				RESTRICTED TO	-
				SCALE	1:1
				SHEET	1 of 1
				REV	P