

4

3

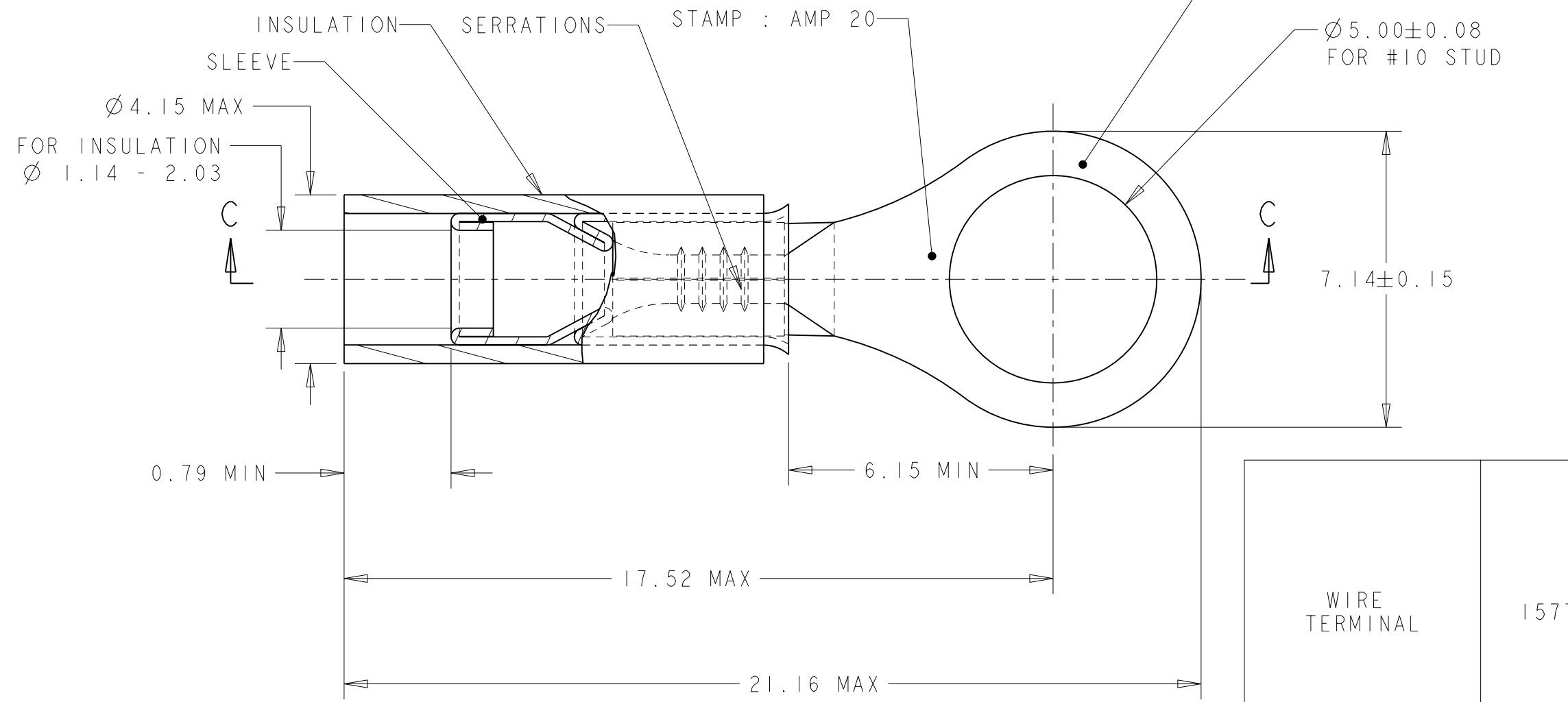
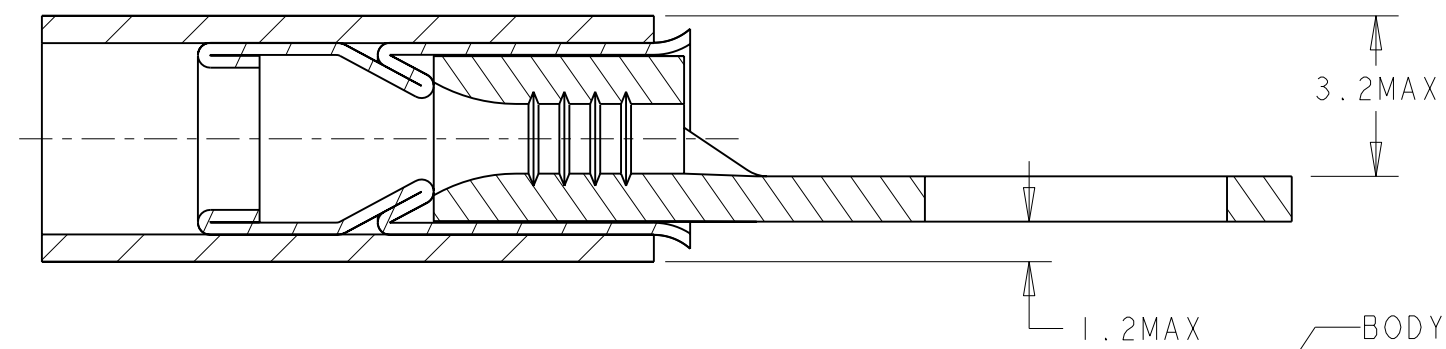
2

1

THIS DRAWING IS UNPUBLISHED. RELEASED FOR PUBLICATION 20
 © COPYRIGHT 20 BY TYCO ELECTRONICS CORPORATION. ALL RIGHTS RESERVED.

LOC	DIST	REVISIONS			
P	LTR	DESCRIPTION	DATE	DWN	APVD
F	00	B	ECR 07-025006	24OCT2007	JT GR

COUPE C-C



WIRE TERMINAL	1577624-1	BODY : COPPER ANNEALED FINISH : NICKEL PLATED
		SLEEVE : COPPER ANNEALED FINISH : NICKEL PLATED
		INSULATION : PEEK COLOR : GREY
DESCRIPTION	PART NUMBER	MATERIAL & FINISH

THIS DRAWING IS A CONTROLLED DOCUMENT FOR TYCO ELECTRONICS CORPORATION IT IS SUBJECT TO CHANGE AND THE CONTROLLING ENGINEERING ORGANIZATION SHOULD BE CONTACTED FOR THE LATEST REVISION.		DWN	02NOV2005	TYCO ELECTRONICS France SAS	
		CHK	02NOV2005	BP 30039, 95301 CERGY-PONTOISE Cedex	
		APVD	02NOV2005	NAME	
		PRODUCT SPEC	108-15356	TERMINAL, PEEK PIDG STRATO, 20 AWG	
		APPLICATION SPEC	114-15102		
		WEIGHT	0,65 gr	SIZE	RESTRICTED TO
		CUSTOMER DRAWING		A300779	C=1577624

DIMENSIONS: mm		TOLERANCES UNLESS OTHERWISE SPECIFIED:	
	0 PLC	±	
	1 PLC	±0.3	
	2 PLC	±	
	3 PLC	±	
	4 PLC	±	
	ANGLES	±5	
MATERIAL	SEE TABLE	FINISH	SEE TABLE