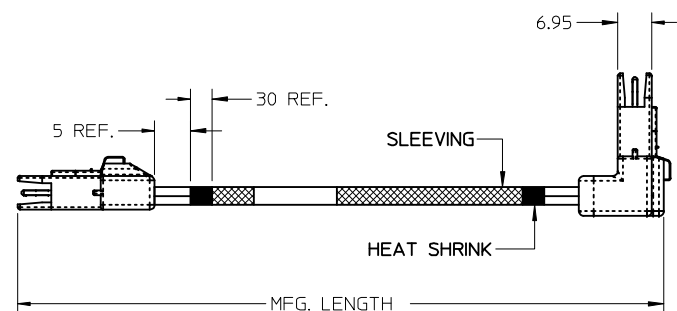
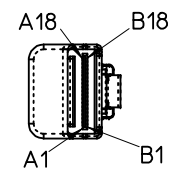
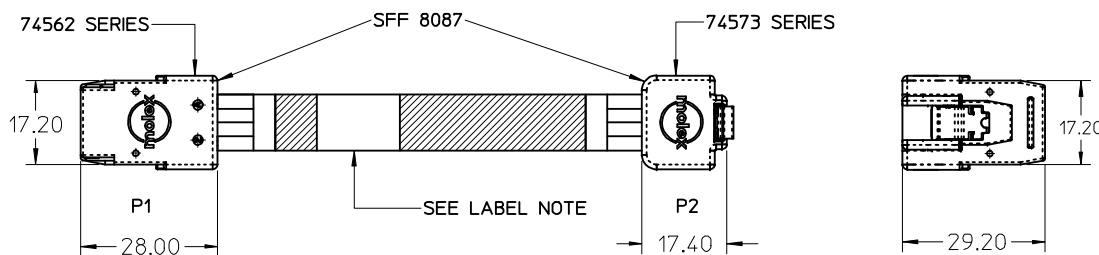
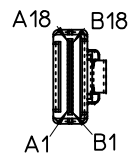


MATERIAL#	SIDEBANDS	APPLICATION	SLEEVING	AWG	LENGTH(M)	TOL (+/-)	PIN OUT
74573-2100	YES	Ctrl to BP	YES	30	0.152	0.015	PIN OUT 1
74573-2101	YES	Ctrl to BP	YES	30	0.3	0.015	PIN OUT 1
74573-2102	YES	Ctrl to BP	YES	30	0.5	0.015	PIN OUT 1
74573-2103	YES	Ctrl to BP	YES	30	0.6	0.015	PIN OUT 1
74573-2104	YES	Ctrl to BP	YES	30	1.0	0.015	PIN OUT 1
74573-2105	YES	Ctrl to BP	YES	30	0.20	0.015	PIN OUT 1
74573-2110	YES	Ctrl to CTRL	YES	30	0.152	0.015	PIN OUT 2
74573-2111	YES	Ctrl to CTRL	YES	30	0.3	0.015	PIN OUT 2
74573-2112	YES	Ctrl to CTRL	YES	30	0.5	0.015	PIN OUT 2
74573-2113	YES	Ctrl to CTRL	YES	30	0.6	0.015	PIN OUT 2
74573-2120	NO	N/A	YES	30	0.152	0.015	PIN OUT 3
74573-2121	NO	N/A	YES	30	0.3	0.015	PIN OUT 3
74573-2122	NO	N/A	YES	30	0.5	0.015	PIN OUT 3
74573-2123	NO	N/A	YES	30	0.6	0.015	PIN OUT 3
74573-2125	YES	Ctrl to BP	YES	30	0.2	0.015	PIN OUT 1



NOTES:

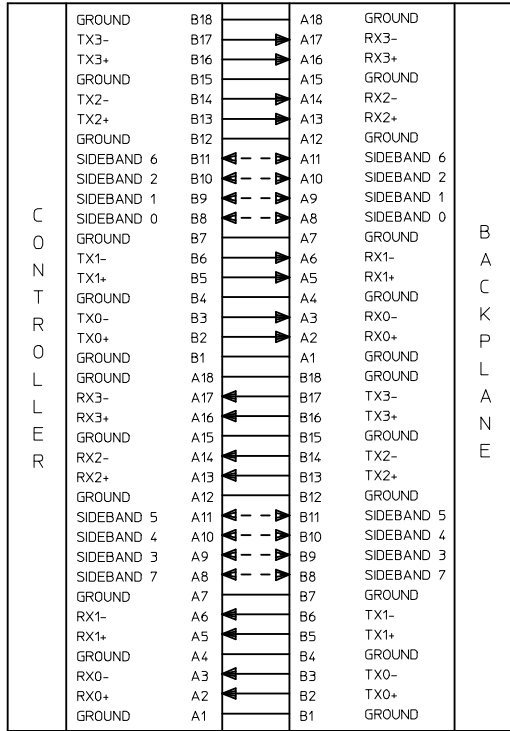
- MATERIAL:
 OVER MOLD - POLYBUTYLENE TEREPHTHALATE (PBT), 94-V0,
 GLASS FILLED 30%.
 LATCH - STAINLESS STEEL ALLOY.
 CABLE -
 SIGNALS PVC INSULATION
 SOLID COPPER SIGNALAND DRAIN.
 INNER DIELECTRIC IS POLYOLEFIN
 TWIN-AX SHIELD IS ALUMINIZED POLYESTER FOIL.
 JACKET - PVC RED
 PCB - FR4



- PRODUCT TO PERFORM PER
 PRODUCT SPECIFICATION: PS-79536-001.
- PRODUCT MATES TO 75783 (RIGHT ANGLE) AND
 75784 (VERTICAL) SERIES.
- THIS PRODUCT CONFORMS TO THE MECHANICAL
 DIMENSIONING AND ELECTRICAL PERFORMANCE
 REQUIREMENTS OF SFF-8087.
- MINIMUM RECOMMENDED BEND RADIUS 28 MM.
- PRODUCT IS RoHS COMPLIANT.
- LABEL INFO.
 MOLEX
 <<PART NUMBER>>
 MADE IN CHINA
 WW/YY

IPASS™ IS A TRADEMARK OF MOLEX.

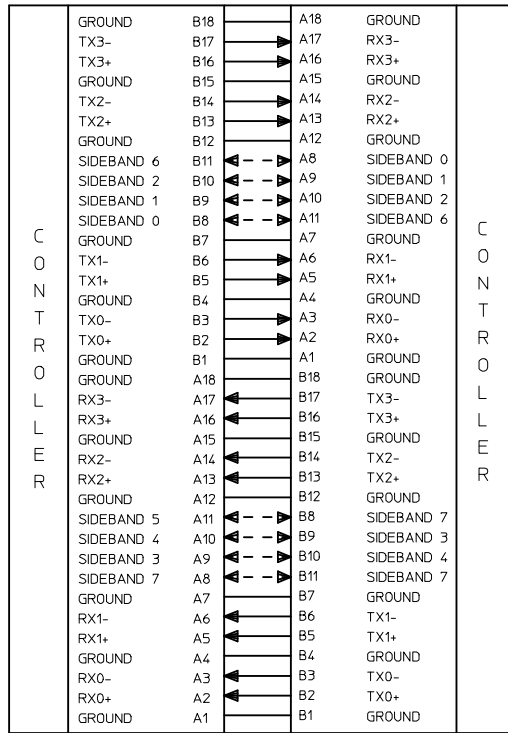
ENTER DESCRIPTION EC NO: USY2008-0220 DRAWN:PSYTSMA 2007/11/14 CHKD:DDOYE 2007/11/15 APPR:DDOYE 2007/11/15 REV	QUALITY SYMBOLS ▽=0 ▽=0	GENERAL TOLERANCES (UNLESS SPECIFIED) mm INCH 4 PLACES ± --- ± --- 3 PLACES ± --- ± .010 2 PLACES ± 0.25 ± --- 1 PLACE ± REF ± --- ANGULAR ± 1/2°	DIMENSION STYLE MM/IN DRAWN BY DATE K.PHILLIPS 2005/12/27 CHECKED BY DATE T.HALL 2005/12/27 APPROVED BY DATE D.DOYE 2005/12/27	SCALE 1:1 DESIGN UNITS METRIC THIRD ANGLE PROJECTION	TITLE IPASS (MINI-SAS) RA INTERNAL CABLE 36 CKT 4X W/ SIDEBANDS MOLEX INCORPORATED	MATERIAL NO. SEE TABLE SIZE B	DOCUMENT NO. SD-74573-210 SHEET NO. 1 OF 5	
	DRAFT WHERE APPLICABLE MUST REMAIN WITHIN DIMENSIONS		THIS DRAWING CONTAINS INFORMATION THAT IS PROPRIETARY TO MOLEX INCORPORATED AND SHOULD NOT BE USED WITHOUT WRITTEN PERMISSION					



NOTE:
 1. PINOUT CONFORMS TO SAS 1.1 9.0D SECTION 5.2.4.1.2.3
 2. ALL SIGNAL GROUNDS ARE BUSSED IN PCB.

IPASS™ IS A TRADEMARK OF MOLEX

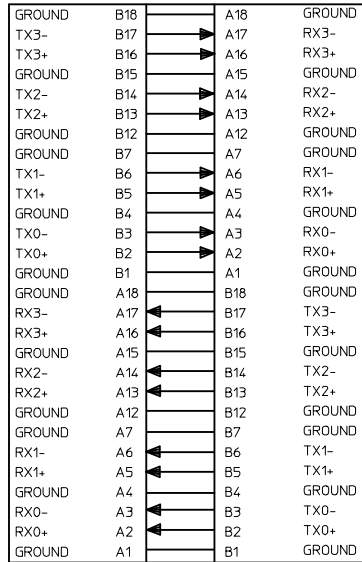
ENTER DESCRIPTION EC NO: USY2008-0220 IDR:WNPSTYMA 2007/11/14 CHKD:DDOYE 2007/11/15 APPR:DDOYE 2007/11/15 REV DESCRIPTION	QUALITY SYMBOLS	GENERAL TOLERANCES (UNLESS SPECIFIED)	DIMENSION STYLE	SCALE	DESIGN UNITS	THIRD ANGLE PROJECTION	
	▽=0 ▽=0	mm INCH 4 PLACES ± --- ± --- 3 PLACES ± --- ± .010 2 PLACES ± 0.25 ± --- 1 PLACE ± REF ± --- ANGULAR ±1/2°	MM/IN	1:1	METRIC	DRAWN BY DATE K.PHILLIPS 2005/12/27 CHECKED BY DATE T.HALL 2005/12/27 APPROVED BY DATE D.DOYE 2005/12/27	
		DRAFT WHERE APPLICABLE MUST REMAIN WITHIN DIMENSIONS	MATERIAL NO.	TITLE IPASS (MINI-SAS) RA INTERNAL CABLE 36 CKT 4X W/ SIDEBANDS		MOLEX INCORPORATED DOCUMENT NO. SD-74573-210	SHEET NO. 2 OF 5
			9999999999	THIS DRAWING CONTAINS INFORMATION THAT IS PROPRIETARY TO MOLEX INCORPORATED AND SHOULD NOT BE USED WITHOUT WRITTEN PERMISSION			



NOTE
 1. FOR CONTROLLER TO CONTROLLER.
 2. ALL SIGNAL GROUNDS ARE BUSSED IN PCB.

IPASS™ IS A TRADEMARK OF MOLEX

ENTER DESCRIPTION EC NO: USY2008-0220 DRW:WFSYTSMA 2007/11/14 CHKD:DDOYE 2007/11/15 APPR:DDOYE 2007/11/15	QUALITY SYMBOLS =0 =0.25	GENERAL TOLERANCES (UNLESS SPECIFIED)		DIMENSION STYLE MM/IN		SCALE 1:1	DESIGN UNITS METRIC	THIRD ANGLE PROJECTION			
		4 PLACES ± --- ± ---	3 PLACES ± --- ± .010	2 PLACES ± 0.25 ± ---	1 PLACE ± REF ± ---	mm INCH	DRAWN BY DATE K.PHILLIPS 2005/12/27	CHECKED BY DATE T.HALL 2005/12/27	TITLE IPASS (MINI-SAS) RA INTERNAL CABLE 36 CKT 4X W/ SIDEBANDS		
		ANGULAR ±1/2°				APPROVED BY DATE D.DOYE 2005/12/27	MATERIAL NO. 9999999999			DOCUMENT NO. SD-74573-210	SHEET NO. 3 OF 5
		DRAFT WHERE APPLICABLE MUST REMAIN WITHIN DIMENSIONS				SIZE B	THIS DRAWING CONTAINS INFORMATION THAT IS PROPRIETARY TO MOLEX INCORPORATED AND SHOULD NOT BE USED WITHOUT WRITTEN PERMISSION				

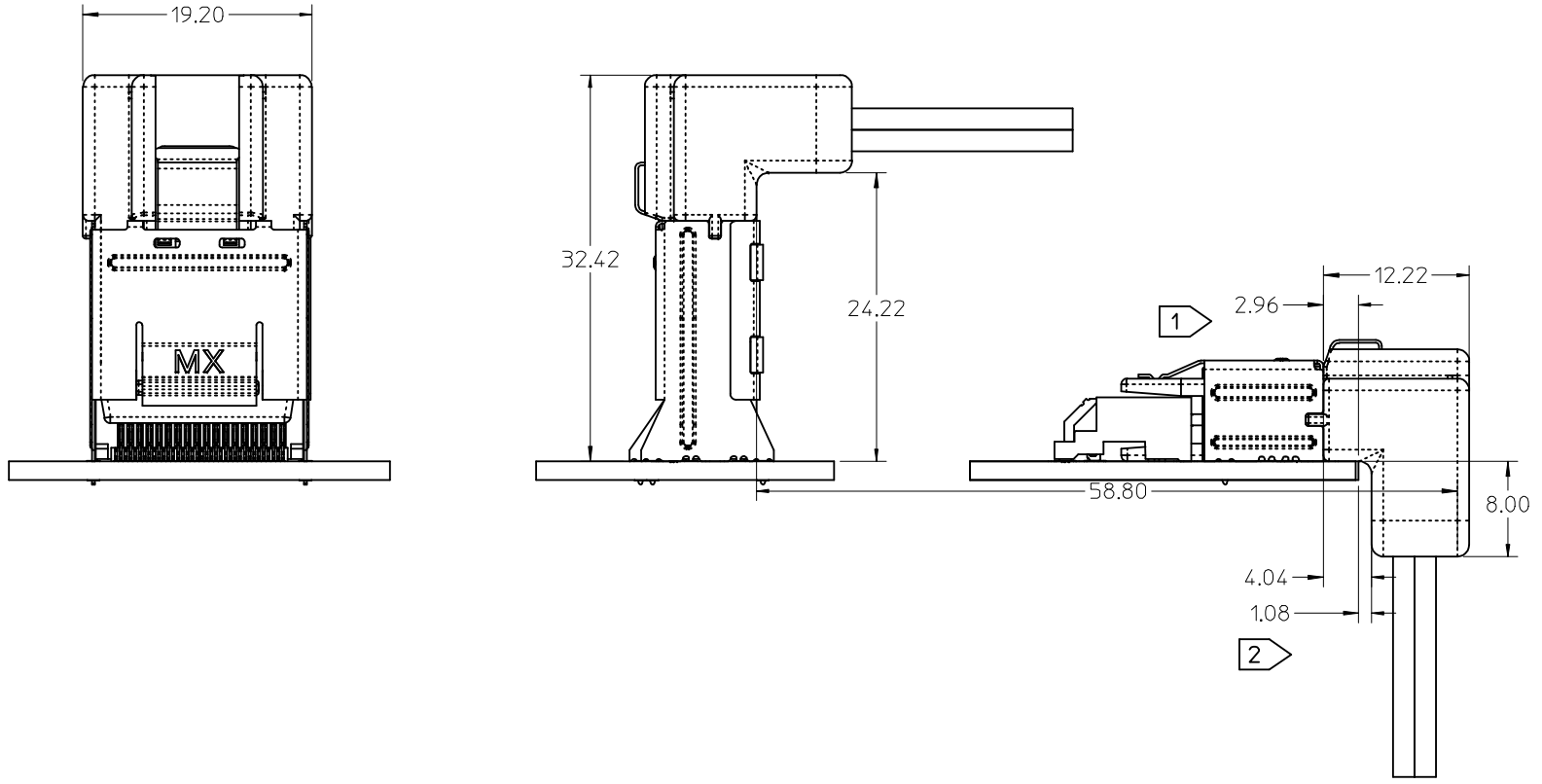


NOTE

1. FOR NO SIDE BANDS
2. ALL SIGNAL GROUNDS ARE BUSSED IN PCB.

IPASS™ IS A TRADEMARK OF MOLEX

ENTER DESCRIPTION EC NO: USY2008-0220 ITT DRWN:HPST/MA 2007/11/14 CHKD:DDOYE 2007/11/15 APPR:DDOYE 2007/11/15 REV DESCRIPTION	QUALITY SYMBOLS	GENERAL TOLERANCES (UNLESS SPECIFIED)	DIMENSION STYLE	SCALE	DESIGN UNITS	THIRD ANGLE PROJECTION	
	▽=0		MM/IN	1:1	METRIC		
	▽=0						
		4 PLACES ± --- ± ---	DRAWN BY DATE	TITLE IPASS (MINI-SAS) RA INTERNAL CABLE 36 CKT 4X W/ SIDEBANDS			
		3 PLACES ± --- ± .010	CHECKED BY DATE				
	2 PLACES ± 0.25 ± ---	APPROVED BY DATE	MOLEX INCORPORATED DOCUMENT NO. SD-74573-210 SHEET NO. 4 OF 5				
	1 PLACE ± REF ± ---	MATERIAL NO. 9999999999					
	ANGULAR ±1/2°	DRAFT WHERE APPLICABLE MUST REMAIN WITHIN DIMENSIONS					
		THIS DRAWING CONTAINS INFORMATION THAT IS PROPRIETARY TO MOLEX INCORPORATED AND SHOULD NOT BE USED WITHOUT WRITTEN PERMISSION					



APPLICATION ENVELOPE DIMENSION

- 1. RECOMMENDED MAX DISTANCE HOOD TO EDGE OF PCB
- 2. RECOMMENDED MINIMUM DISTANCE OF PLUG TO PCB

ENTER DESCRIPTION EC NO: USY2008-0220 DR: MNPSTMA 2007/11/14 CHKD: DDOYE 2007/11/15 APPR: DDOYE 2007/11/15	QUALITY SYMBOLS ▽=0 ▽=0	GENERAL TOLERANCES (UNLESS SPECIFIED)		DIMENSION STYLE MM/IN	SCALE 1:1	DESIGN UNITS METRIC	THIRD ANGLE PROJECTION		
		4 PLACES ± --- ± ---	mm INCH	DRAWN BY K.PHILLIPS	DATE 2005/12/27	TITLE IPASS (MINI-SAS) RA INTERNAL CABLE 36 CKT 4X W/ SIDEBANDS			
		3 PLACES ± --- ± .010		CHECKED BY T.HALL	DATE 2005/12/27				
		2 PLACES ± 0.25 ± ---		APPROVED BY D.DOYE	DATE 2005/12/27	MOLEX INCORPORATED			
1 PLACE ± REF ± ---		MATERIAL NO. SEE TABLE		DOCUMENT NO. SD-74573-210	SHEET NO. 5 OF 5				
DRAFT WHERE APPLICABLE MUST REMAIN WITHIN DIMENSIONS		ANGULAR ± 1/2°		THIS DRAWING CONTAINS INFORMATION THAT IS PROPRIETARY TO MOLEX INCORPORATED AND SHOULD NOT BE USED WITHOUT WRITTEN PERMISSION					