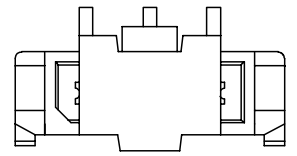
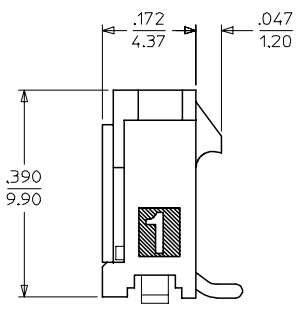
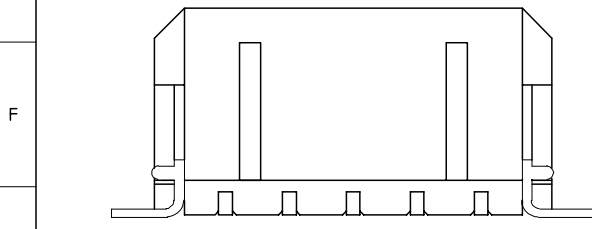
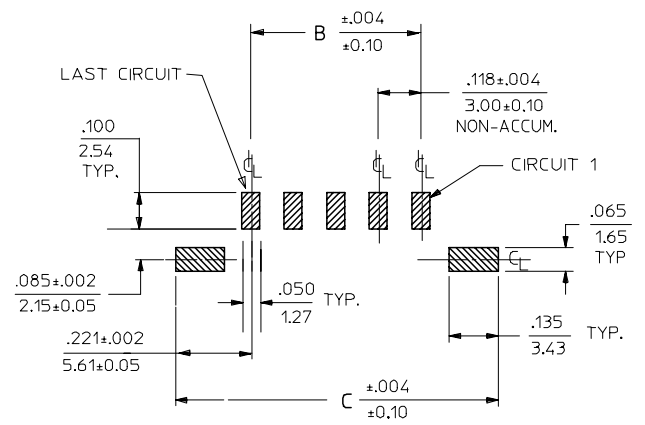
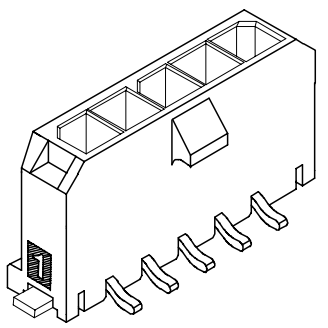
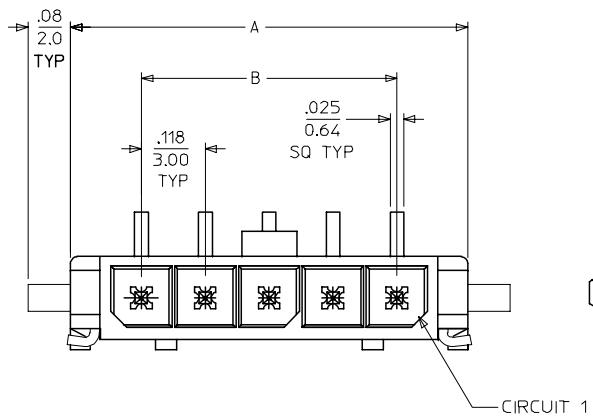
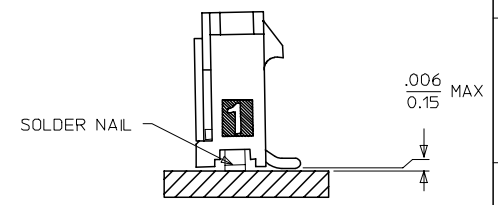


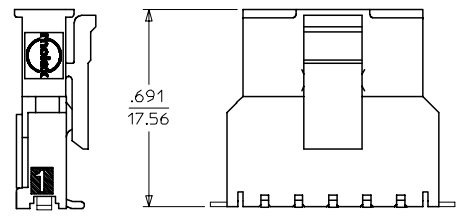
CKTS	A	B	C
3	.498 12.65	.236 6.00	.677 17.20



SHOWN WITH DISPOSABLE CAP
(FOR REMOVAL FROM TAPE & REEL PACKAGING)
SEE NOTE #4



COPLANARITY DETAIL
SEE NOTE #6



MATED MICRO FIT CONNECTORS

- NOTES:**
- HOUSING MATERIAL: LIQUID CRYSTAL POLYMER. GLASS FILLED. UL94V-0, COLOR: BLACK
TERMINAL MATERIAL: BRASS ALLOY
 - FINISH:
A = .000015/(0,00038) MIN. SELECT GOLD IN CONTACT AREA
.000100/(0,00254) MIN. SELECT MATTE TIN ON SOLDER TAILS
BOTH OVER .000050/(0,00127) NICKEL OVERALL
 - PRODUCT SPECIFICATION: PS-43650
 - TAPE AND REEL PACKAGED : SEE MOLEX DRAWING PK-70873-07**
 - MATES WITH MICRO FIT (3.0) RECEPTACLE SERIES 43645
 - THE COPLANARITY DIMENSION IS ESTABLISHED BY PLACING THE ASSEMBLY ON A FLAT SURFACE. THE DISTANCE FROM THAT SURFACE TO THE BOTTOM OF ANY ANY TERMINAL OR NAIL MUST NOT EXCEED .006/0.15
 - THE PRIMARY SHIPPING CARTON WILL BE LABELED, "COMPLIANT TO RoHS DIRECTIVE 2002/95/EC AND ELV ANNEX II OF DIRECTIVE 2000/53/EC." ASSEMBLIES WILL BE COMPLIANT TO THE RoHS AND ELV (LEAD-FREE) DIRECTIVES.
 - A HIGHER TEMPERATURE GRADE MATERIAL (260C MAX. REFLOW TEMPERATURE) IS BEING PHASED-IN BEGINNING AUGUST 2007. PARTS WILL BE TEMPORARILY IDENTIFIED WITH A BLUE DOT ON THE PRIMARY SHIPPING CARTON LABEL UNTIL ALL CIRCUIT SIZES ARE CONVERTED, AT WHICH TIME A FULL-CONVERSION DATE WILL BE IDENTIFIED IN PS-43650.

FINISH	A
CKTS	MATERIAL NO:
03	43650-5325

.691 DIM. ADD NOTE 8 EC NO: UCP2008-0037 DRAWN/KIPPER 2007/09/06 CHKD:SSOUSEK 2007/09/11 APPR:FSM TH 2007/09/12	QUALITY SYMBOLS ▽=0 ▽=0	GENERAL TOLERANCES (UNLESS SPECIFIED)	DIMENSION STYLE IN/MM	SCALE ---	DESIGN UNITS METRIC	THIRD ANGLE PROJECTION																		
		<table border="1"> <tr> <th></th> <th>mm</th> <th>INCH</th> </tr> <tr> <td>4 PLACES</td> <td>±.005</td> <td>±.0005</td> </tr> <tr> <td>3 PLACES</td> <td>±.010</td> <td>±.0010</td> </tr> <tr> <td>2 PLACES</td> <td>±.025</td> <td>±.010</td> </tr> <tr> <td>1 PLACE</td> <td>±.036</td> <td>±.014</td> </tr> <tr> <td colspan="3">ANGULAR ±1/2°</td> </tr> </table>		mm	INCH	4 PLACES	±.005	±.0005	3 PLACES	±.010	±.0010	2 PLACES	±.025	±.010	1 PLACE	±.036	±.014	ANGULAR ±1/2°			DRAWN BY RHOLTS DATE 2004/07/16	CHECKED BY SCHMIDT DATE 2004/07/16	APPROVED BY FSMITH DATE 2004/07/16	MATERIAL NO. SEE CHART
	mm	INCH																						
4 PLACES	±.005	±.0005																						
3 PLACES	±.010	±.0010																						
2 PLACES	±.025	±.010																						
1 PLACE	±.036	±.014																						
ANGULAR ±1/2°																								
DRAFT WHERE APPLICABLE MUST REMAIN WITHIN DIMENSIONS		THIS DRAWING CONTAINS INFORMATION THAT IS PROPRIETARY TO MOLEX INCORPORATED AND SHOULD NOT BE USED WITHOUT WRITTEN PERMISSION																						