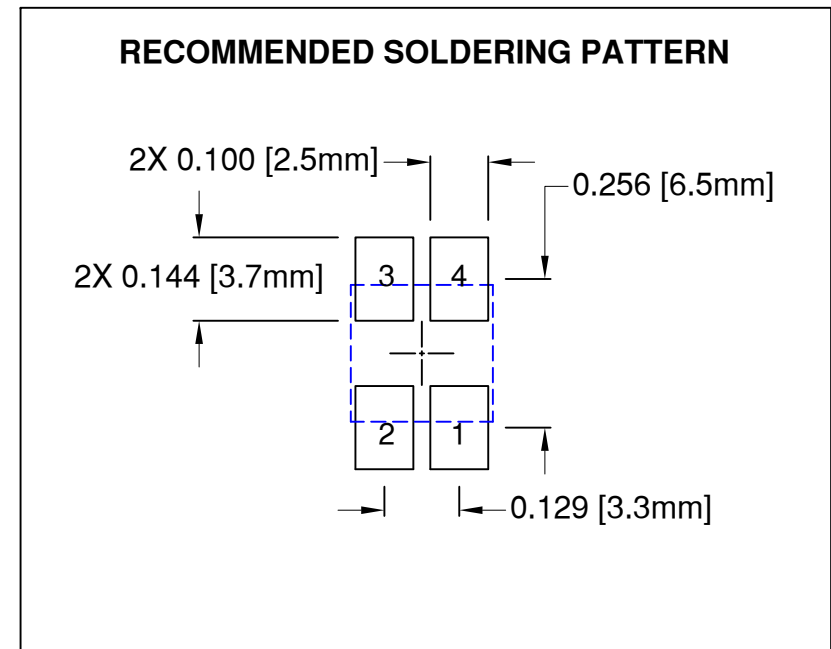
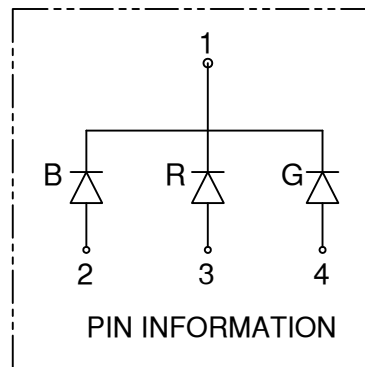
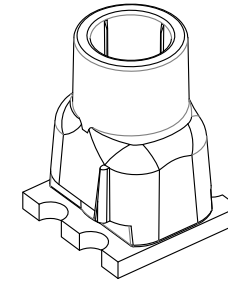
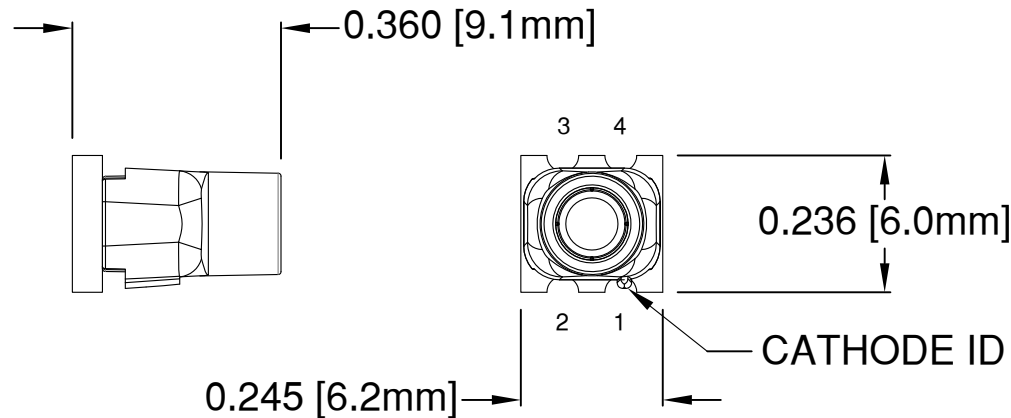


REV.	DESCRIPTION	DATE	APPROVED
B	Engineering Release	02/27/15	J. C.
C	Revised Side View, See Page 4	03/20/15	J. C.
D	Corrected Typo in Recom. Soldering Pattern	09/12/16	J. C.



ABSOLUTE MAXIMUM RATINGS at Ta=25°C

REVERSE VOLTAGE	5V
REVERSE CURRENT	100µA
OPERATING TEMPERATURE RANGE	-35°C - 85°C
STORAGE TEMPERATURE	-35°C - 85°C
MAX SOLDERING TEMPERATURE	260°C FOR 3 SECONDS

NOTES:



- DERATING OF FORWARD CURRENT PER SEGMENT, 0.30mA/°C at T ≥ 25°C
- ACCEPTS BIVAR FLEXIBLE LIGHT PIPE STYLE FLPS2031

STANDARD TOLERANCE (UNLESS OTHERWISE SPECIFIED)		 4 THOMAS, IRVINE, CA. 92618 TEL: (949) 951-8808 FAX: (949) 951-3974	
DECIMALS	ANGULAR		
.X ± .1	X° ± 1°	TITLE: SMT FLP VERTICAL ADAPTER RED/GREEN/ BLUE	
.XX ± .02			
.XXX ± .010			
DESIGNED: A. Wright	DATE: 03/13/14	PART NO: SMTV01-RXXGXXBXX	REVISION: D
CHECKED: B. Oliver	DATE: 03/13/14	CAGE CODE : 32559	SHEET # 1 OF 4
CAD GENERATED DOCUMENT. DO NOT MEASURE DRAWING.			

REV.	DESCRIPTION	DATE	APPROVED
	SEE SHEET #1		

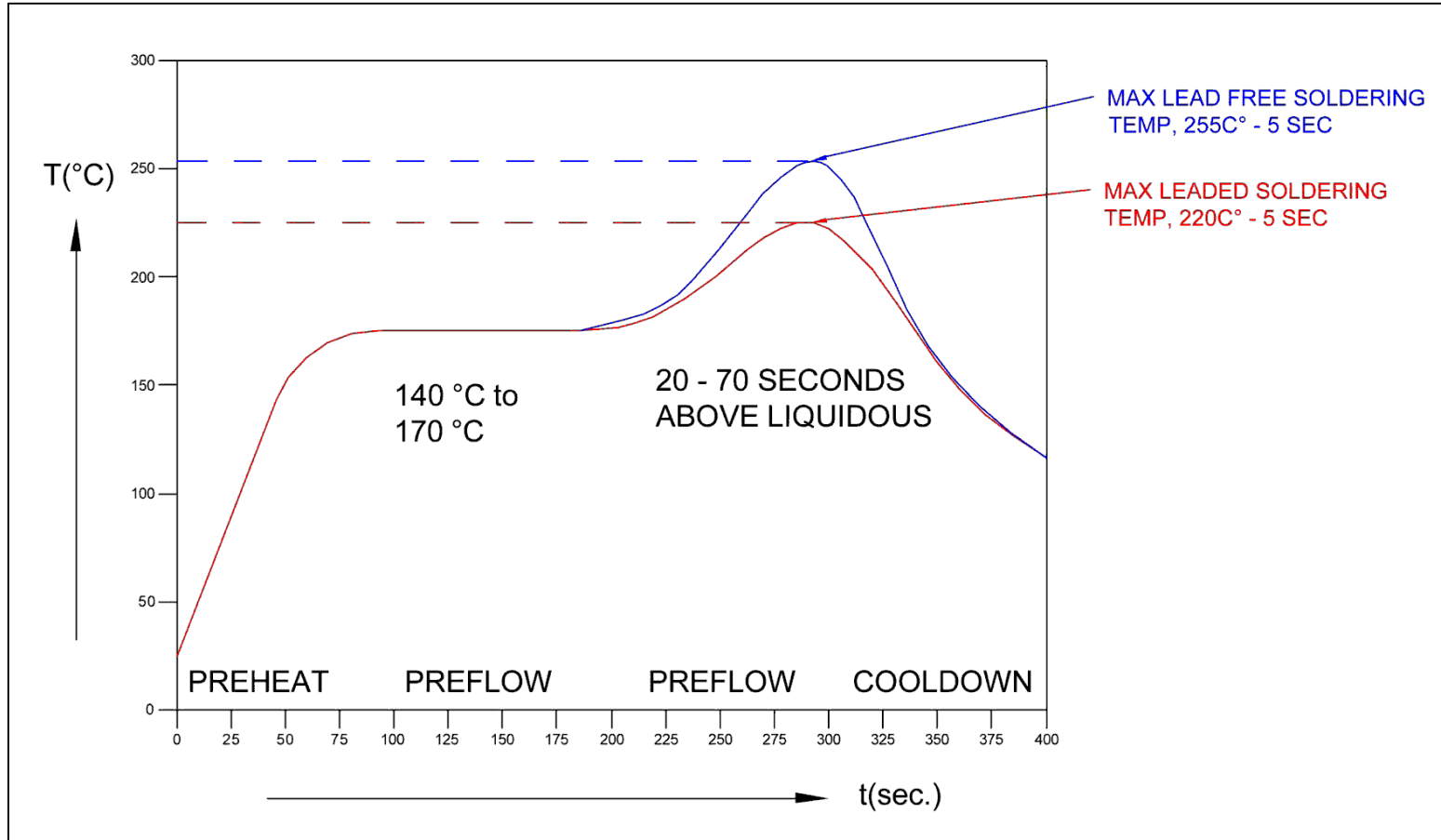
Part Number	Chip				Absolute Maximum Ratings Per Segment			Electro-Optical Data @20mA, 25°C			
	Emitted Color	λ_D [nm]			P_d [mW]	I_f [mA]	Peak I_f [mA]	V_f [V]			I_v [mcd]
		MIN	TYP	MAX				MIN	TYP	MAX	
SMTV01-R15G15B09	RED	625	628	630	57.5	25	100	1.7	2.1	2.6	150
	GREEN	510	515	520	60	25	100	2.8	3.3	3.8	149
	BLUE	460	465	470	60	25	100	2.8	3.3	3.8	86
SMTV01-R17G33B10	RED	625	628	630	57.5	25	100	1.7	2.1	2.6	163
	GREEN	510	515	520	60	25	100	2.8	3.3	3.8	325
	BLUE	460	465	470	60	25	100	2.8	3.3	3.8	95

Note: 10% Duty Cycle, Pulse Width ≤ 0.1 msec for Peak I_f .

STANDARD TOLERANCE (UNLESS OTHERWISE SPECIFIED)		 4 THOMAS, IRVINE, CA. 92618 TEL: (949) 951-8808 FAX: (949) 951-3974	
DECIMALS	ANGULAR		
.X $\pm .1$	X° $\pm 1^\circ$	 TITLE: SMT FLP VERTICAL ADAPTER RED/ GREEN/ BLUE	
.XX $\pm .02$			
.XXX $\pm .010$		PART NO: SMTV01-RXXGXXBXX	
DESIGNED: A. Wright	DATE: 03/13/14	REVISION: D	
CHECKED: B. Oliver	DATE: 03/13/14	CAGE CODE : 32559 SHEET # 2 OF 4	
CAD GENERATED DOCUMENT, DO NOT MEASURE DRAWING.			

REV.	DESCRIPTION	DATE	APPROVED
	SEE SHEET #1		

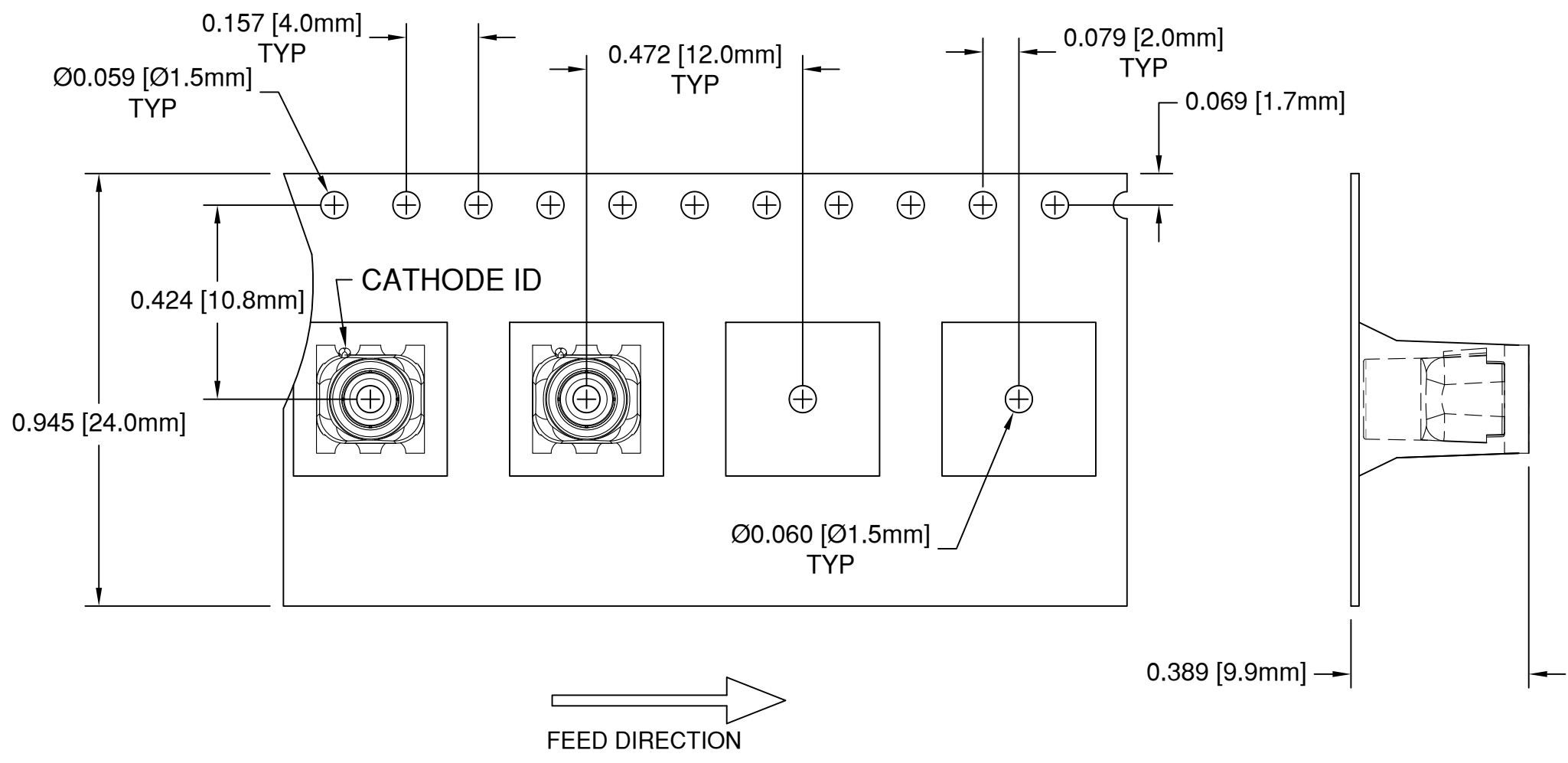
Recommended Reflow Soldering Profile



NOTE:
1. Do not clean after soldering. Only use no-clean solder paste.

STANDARD TOLERANCE (UNLESS OTHERWISE SPECIFIED)		BIVAR [®] 4 THOMAS, IRVINE, CA. 92618 TEL: (949) 951-8808 FAX: (949) 951-3974	
DECIMALS	ANGULAR		
.X ± .1	X° ± 1°	TITLE: SMT FLP VERTICAL ADAPTER RED/ GREEN/ BLUE	
.XX ± .02			
.XXX ± .010		PART NO: SMTV01-RXXGXXBXX	
DESIGNED: A. Wright			
CHECKED: B. Oliver		DATE: 03/13/14	
		REVISION: D	
		CAGE CODE : 32559 SHEET # 3 OF 4	
CAD GENERATED DOCUMENT. DO NOT MEASURE DRAWING.			

REV.	DESCRIPTION	DATE	APPROVED
	SEE SHEET #1		



NOTES:
 3. MOISTURE SENSITIVITY LEVEL: 4
 2. UNLESS OTHERWISE SPECIFIED, PACKAGING TO COMPLY WITH EIA-481-B
 1. 500 pcs PER REEL

STANDARD TOLERANCE (UNLESS OTHERWISE SPECIFIED)		BIVAR [®] 4 THOMAS, IRVINE, CA. 92618 TEL: (949) 951-8808 FAX: (949) 951-3974	
DECIMALS	ANGULAR		
.X ± .1	X° ± 1°	 TITLE: SMT FLP VERTICAL ADAPTER RED/ GREEN/ BLUE	
.XX ± .02			
.XXX ± .010		DESIGNED: A. Wright DATE: 03/13/14	PART NO: SMTV01-RXXGXXBXX REVISION: D
CHECKED: B. Oliver DATE: 03/13/14	CAGE CODE : 32559 SHEET # 4 OF 4	REVISION: D CAD GENERATED DOCUMENT. DO NOT MEASURE DRAWING.	