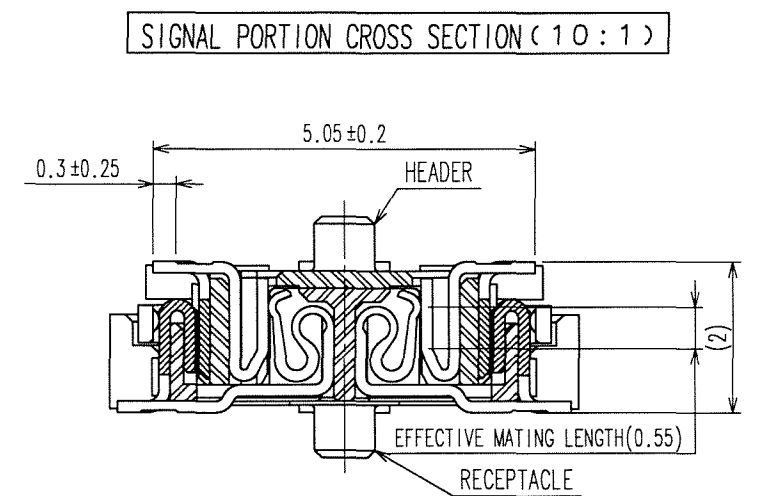
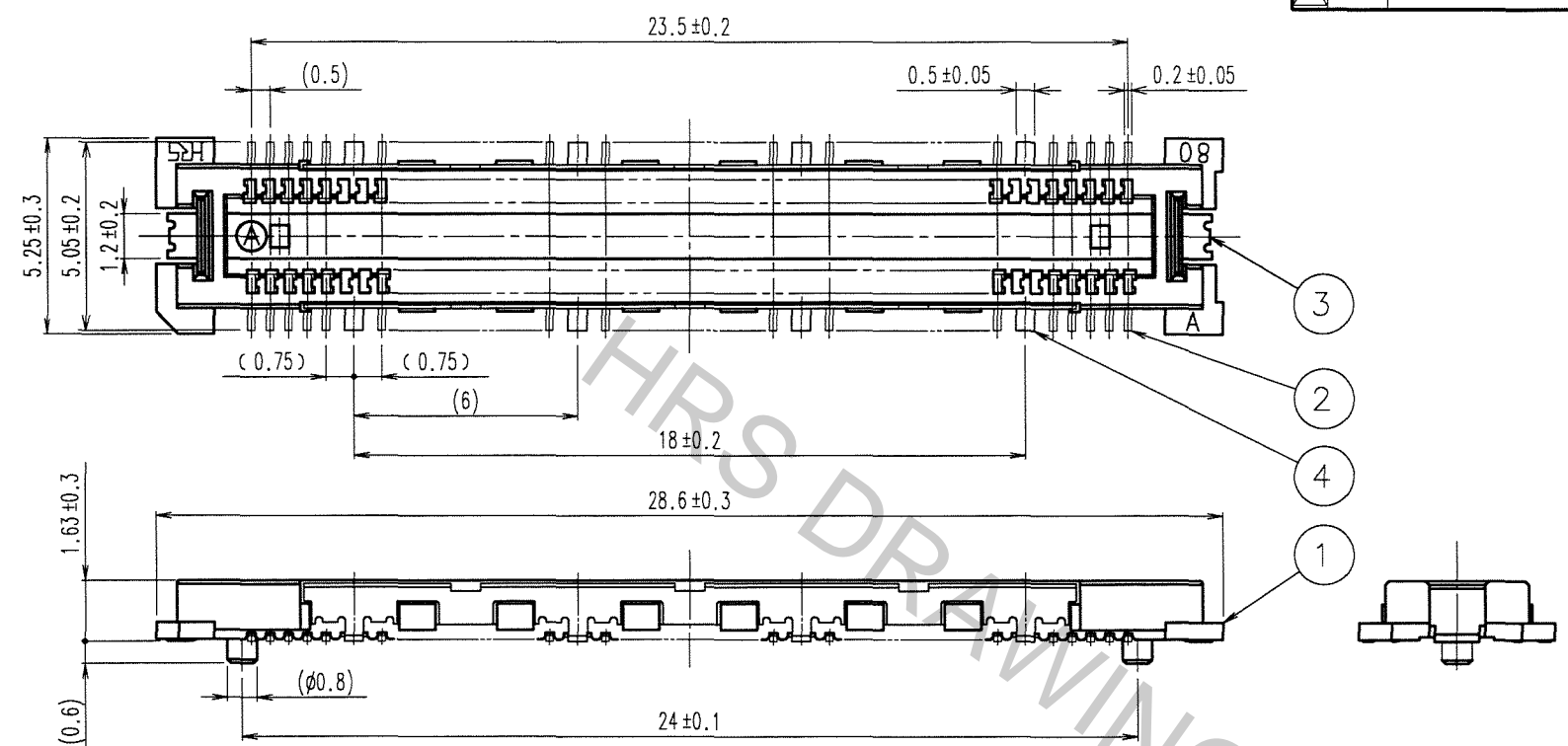
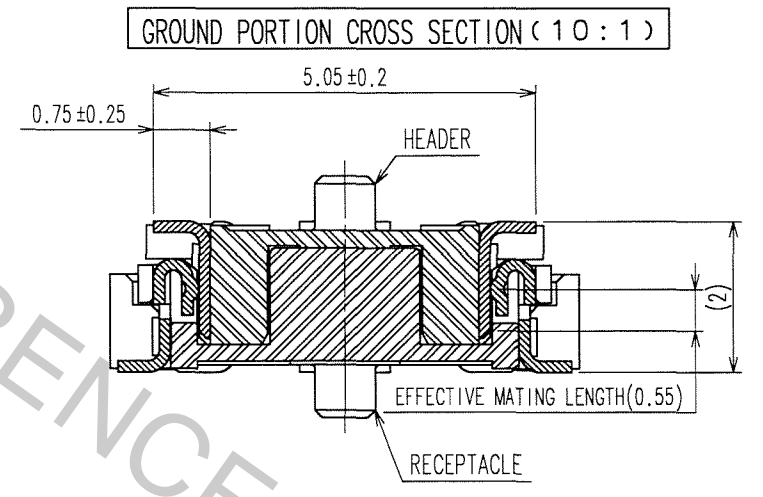
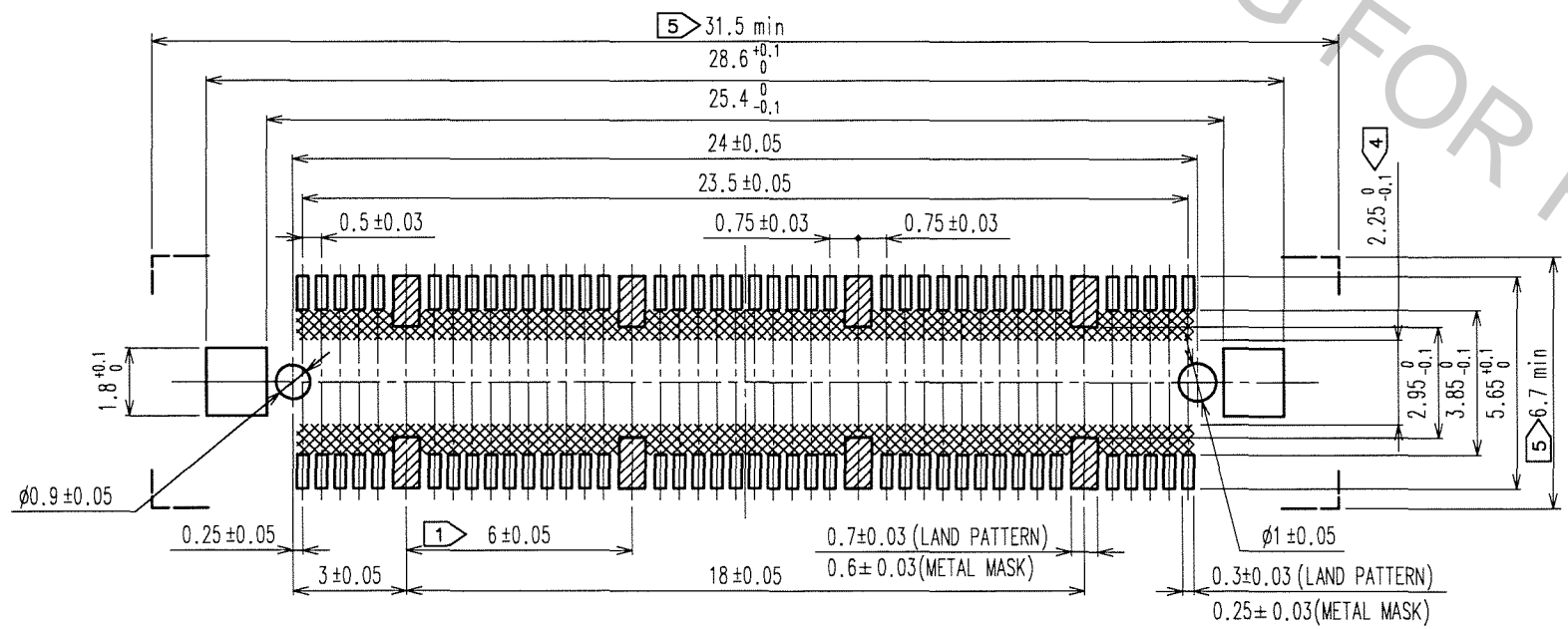


Apr.1.2017 Copyright 2017 HIROSE ELECTRIC CO., LTD. All Rights Reserved.

COUNT	DESCRIPTION OF REVISIONS	BY	CHKD	DATE	COUNT	DESCRIPTION OF REVISIONS	BY	CHKD	DATE



RECOMMENDED LAND PATTERN DIMENSION OF PCB



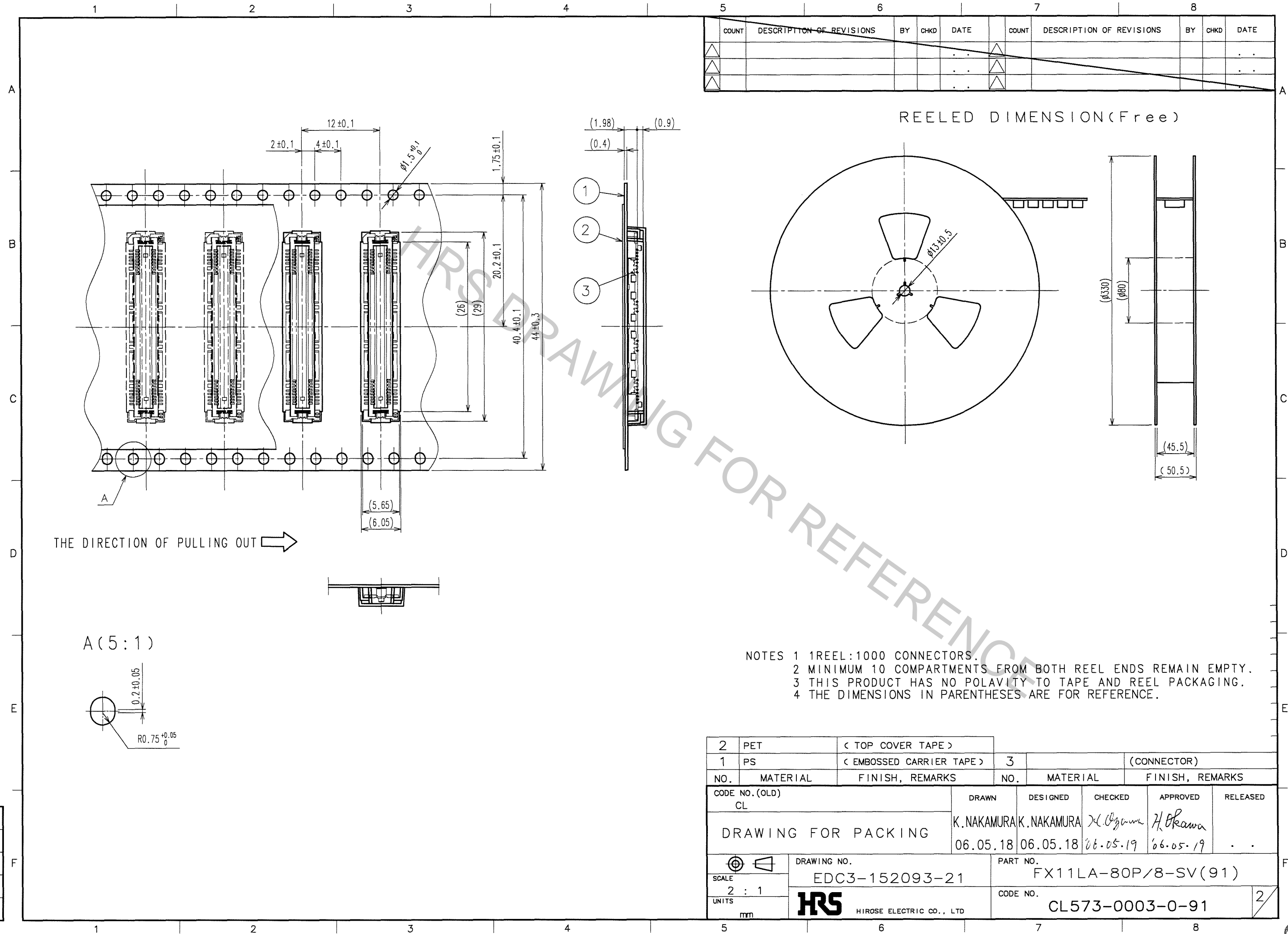
- NOTES
- ① 8 HATCHED PARTS: GROUND CIRCUIT.
  - ② SMT LEAD-COPLANARITY: 0.1 MAX.
  - ③ THIS PRODUCT HAS NO POLARITY TO PATTERN FOR MOUNTING.
  - ④ MAKE SURE WIDTH OF PATTERN IS WITHIN THAT OF LAND, OR LEAD MAY TOUCH PATTERN. (THIS APPLIES TO HATCHED AREA.)
  - ⑤ DO NOT MOUNT OTHER DEVICES ONTO AREA, OR MATING PAIR CANNOT BE MATED.
  - ⑥ TO BE EMBOSSED CARRIER TAPED AS SPECIFIED IN SHEET 2.
  - ⑦ THE DIMENSIONS IN PARENTHESES ARE FOR REFERENCE.

TO  
PCK

4	PHOSPHOR BRONZE	TIN-PLATING	2	COPPER ALLOY	CONTACT AREA: GOLD 0.1 μm min.
3	PHOSPHOR BRONZE	TIN-PLATING	2	COPPER ALLOY	LEAD AREA: GOLD FLASH
1	LCP	BEIGE UL94V-0	2	COPPER ALLOY	UNDER PLATING: NICKEL 1 μm min.
NO.	MATERIAL	FINISH, REMARKS	NO.	MATERIAL	FINISH, REMARKS
CODE NO. (OLD)	CL		DRAWN	DESIGNED	CHECKED
			K. NAKAMURA	K. NAKAMURA	K. Nakamura
			06.05.18	06.05.18	06.05.19
					H. Okawa
					06.05.19
SCALE	DRAWING NO. EDC3-152093-21		PART NO. FX11LA-80P/8-SV(91)		
5 : 1	HRS HIROSE ELECTRIC CO., LTD.		CODE NO. CL573-0003-0-91		
UNITS	mm		1/2		

Apr.1.2017 Copyright 2017 HIROSE ELECTRIC CO., LTD. All Rights Reserved.

COUNT	DESCRIPTION OF REVISIONS	BY	CHKD	DATE	COUNT	DESCRIPTION OF REVISIONS	BY	CHKD	DATE



REELED DIMENSION(Free)

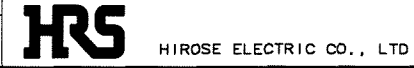
THE DIRECTION OF PULLING OUT →

A(5:1)

- NOTES 1 1REEL:1000 CONNECTORS.  
 2 MINIMUM 10 COMPARTMENTS FROM BOTH REEL ENDS REMAIN EMPTY.  
 3 THIS PRODUCT HAS NO POLAVITY TO TAPE AND REEL PACKAGING.  
 4 THE DIMENSIONS IN PARENTHESES ARE FOR REFERENCE.

TO  
PCK

2	PET	< TOP COVER TAPE >					
1	PS	< EMBOSSED CARRIER TAPE >	3				(CONNECTOR)
NO.	MATERIAL	FINISH, REMARKS	NO.	MATERIAL	FINISH, REMARKS		
CODE NO.(OLD) CL			DRAWN	DESIGNED	CHECKED	APPROVED	RELEASED
DRAWING FOR PACKING			K.NAKAMURA	K.NAKAMURA	<i>K. Nakamura</i>	<i>H. Okawa</i>	
			06.05.18	06.05.18	06.05.19	06.05.19	
DRAWING NO. EDC3-152093-21		PART NO. FX11LA-80P/8-SV(91)					
SCALE 2 : 1		UNITS mm		CODE NO. CL573-0003-0-91		2	



CL573-0003-0-91