

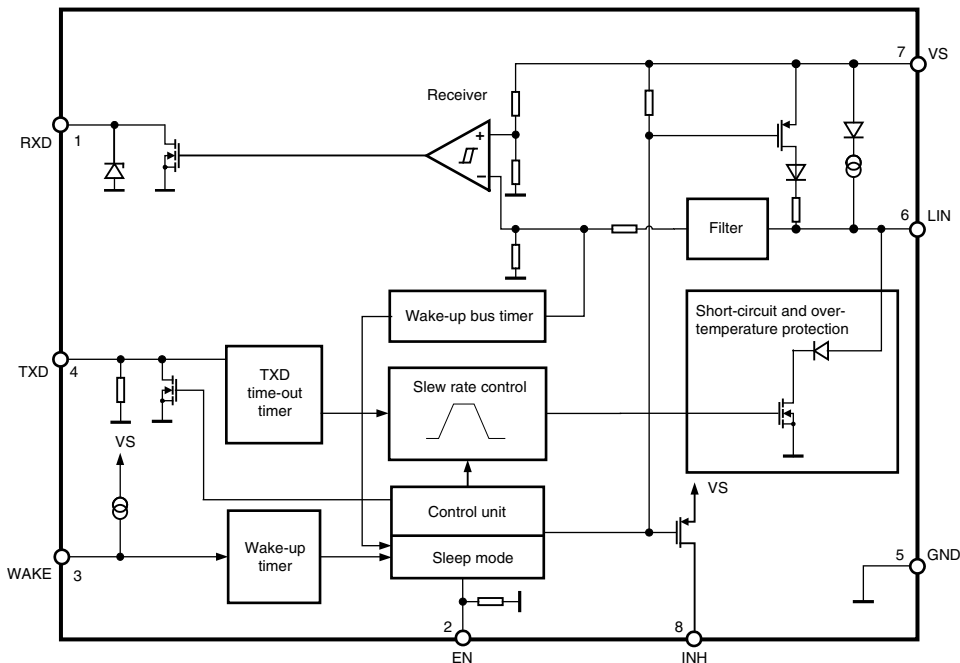
## Features

- Operating Range from 5V to 27V
- Baud Rate up to 20 Kbaud
- Improved Slew Rate Control According to LIN Specification 2.0, 2.1 and SAEJ2602-2
- Fully Compatible with 3.3V and 5V Devices
- Dominant Time-out Function at Transmit Data (TXD)
- Normal and Sleep Mode
- Wake-up Capability via LIN Bus (90 $\mu$ s Dominant)
- External Wake-up via WAKE Pin (35 $\mu$ s Low Level)
- Control of External Voltage Regulator via INH Pin
- Very Low Standby Current During Sleep Mode (10  $\mu$ A)
- Wake-up Source Recognition
- Bus Pin Short-circuit Protected versus GND and Battery
- LIN Input Current < 2 $\mu$ A if V<sub>BAT</sub> Is Disconnected
- Overtemperature Protection
- High EMC Level
- Interference and Damage Protection According to ISO/CD 7637
- Fulfills the OEM "Hardware Requirements for LIN in Automotive Applications Rev.1.0"

## 1. Description

The Atmel<sup>®</sup> ATA6662 is a fully integrated LIN transceiver complying with the LIN specification 2.0, 2.1 and SAEJ2602-2. It interfaces the LIN protocol handler and the physical layer. The device is designed to handle the low-speed data communication in vehicles, for example, in convenience electronics. Improved slope control at the LIN driver ensures secure data communication up to 20Kbaud. Sleep Mode guarantees minimal current consumption. The Atmel ATA6662 has advanced EMI and ESD performance.

Figure 1-1. Block Diagram



4916P-AUTO-10/11



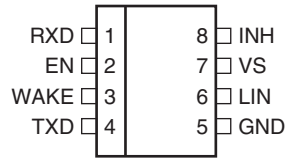
## LIN Transceiver

Atmel  
ATA6662  
ATA6662C



## 2. Pin Configuration

**Figure 2-1.** Pinning SO8



**Table 2-1.** Pin Description

Pin	Symbol	Function
1	RXD	Receive data output (open drain)
2	EN	Enables Normal Mode; when the input is open or low, the device is in Sleep Mode
3	WAKE	High voltage input for local wake-up request. If not needed, connect directly to VS
4	TXD	Transmit data input; active low output (strong pull-down) after a local wake-up request
5	GND	Ground, heat sink
6	LIN	LIN bus line input/output
7	VS	Battery supply
8	INH	Battery-related inhibit output for controlling an external voltage regulator; active high after a wake-up request

### 3. Functional Description

#### 3.1 Physical Layer Compatibility

Since the LIN physical layer is independent from higher LIN layers (e.g., the LIN protocol layer), all nodes with a LIN physical layer according to revision 2.x can be mixed with LIN physical layer nodes, which, according to older versions (i.e., LIN 1.0, LIN 1.1, LIN 1.2, LIN 1.3), are without any restrictions.

#### 3.2 Supply Pin ( $V_S$ )

Undervoltage detection is implemented to disable transmission if  $V_S$  falls to a value below 5V in order to avoid false bus messages. After switching on  $V_S$ , the IC switches to Fail-safe Mode and INHIBIT is switched on. The supply current in Sleep Mode is typically 10 $\mu$ A.

#### 3.3 Ground Pin (GND)

The Atmel<sup>®</sup> ATA6662 does not affect the LIN Bus in the case of a GND disconnection. It is able to handle a ground shift up to 11.5% of  $V_S$ .

#### 3.4 Bus Pin (LIN)

A low-side driver with internal current limitation and thermal shutdown and an internal pull-up resistor are implemented as specified for LIN 2.x. The voltage range is from  $-27V$  to  $+40V$ . This pin exhibits no reverse current from the LIN bus to  $V_S$ , even in the case of a GND shift or  $V_{Batt}$  disconnection. The LIN receiver thresholds are compatible to the LIN protocol specification. The fall time (from recessive to dominant) and the rise time (from dominant to recessive) are slope controlled. The output has a self-adapting short circuit limitation; that is, during current limitation, as the chip temperature increases, the current is reduced.

#### 3.5 Input/Output Pin (TXD)

In Normal Mode the TXD pin is the microcontroller interface to control the state of the Lin output. TXD must be at Low-level in order to have a low LIN Bus. If TXD is high, the LIN output transistor is turned off and the Bus is in recessive state. The TXD pin is compatible to both a 3.3V or 5V supply. During fail-safe Mode, this pin is used as output and is signalling the wake-up source (see [Section 3.14 “Wake-up Source Recognition” on page 8](#)). It is current limited to  $< 8$  mA.

#### 3.6 TXD Dominant Time-out Function

The TXD input has an internal pull-down resistor. An internal timer prevents the bus line from being driven permanently in dominant state. If TXD is forced to low longer than  $t_{DOM} > 6$ ms, the pin LIN will be switched off (Recessive Mode). To reset this mode, switch TXD to high ( $> 10\mu$ s) before switching LIN to dominant again.

#### 3.7 Output Pin (RXD)

This pin reports to the microcontroller the state of the LIN bus. LIN high (recessive) is reported by a high level at RXD, LIN low (dominant) is reported by a low voltage at RXD. The output is an open drain, therefore, it is compatible to a 3.3V or 5V power supply. The AC characteristics are defined with a pull-up resistor of 5k $\Omega$  to 5V and a load capacitor of 20pF. The output is short-protected. In Unpowered Mode ( $V_S = 0V$ ), RXD is switched off. For ESD protection a Zener diode is integrated, with  $V_Z = 6.1V$ .

### 3.8 Enable Input Pin (EN)

This pin controls the Operation Mode of the interface. If EN = 1, the interface is in Normal Mode, with the transmission path from TXD to LIN and from LIN to RXD both active. At a falling edge on EN, while TXD is already set to high, the device is switched to Sleep Mode and no transmission is possible. In Sleep Mode, the LIN bus pin is connected to  $V_S$  with a weak pull-up current source. The device can transmit only after being woken up (see [Section 3.9, “Inhibit Output Pin \(INH\)”](#)).

During Sleep Mode the device is still supplied from the battery voltage. The supply current is typically 10 $\mu$ A. The pin EN provides a pull-down resistor in order to force the transceiver into Sleep Mode in case the pin is disconnected.

### 3.9 Inhibit Output Pin (INH)

This pin is used to control an external switchable voltage regulator having a wake-up input. The inhibit pin provides an internal switch towards pin  $V_S$ . If the device is in Normal Mode, the inhibit high-side switch is turned on and the external voltage regulator is activated. When the device is in Sleep Mode, the inhibit switch is turned off and disables the voltage regulator.

A wake-up event on the LIN bus or at pin WAKE will switch the INH pin to the  $V_S$  level. After a system power-up ( $V_S$  rises from zero), the pin INH switches automatically to the  $V_S$  level.

### 3.10 Wake-up Input Pin (WAKE)

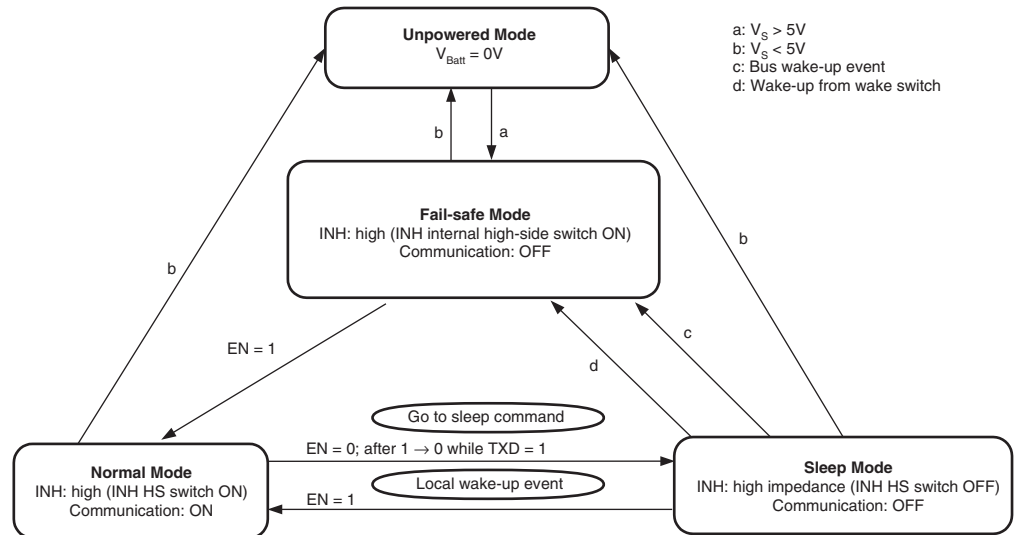
This pin is a high-voltage input used to wake the device up from Sleep Mode. It is usually connected to an external switch in the application to generate a local wake-up. A pull-up current source with typically  $-10\mu$ A is implemented. The voltage threshold for a wake-up signal is 3V below the  $V_S$  voltage with an output current of typically  $-3\mu$ A.

If you do not need a local wake-up in your application, connect pin WAKE directly to pin  $V_S$ .

## 3.11 Operation Modes

1. **Normal Mode**  
This is the normal transmitting and Receiving Mode. All features are available.
2. **Sleep Mode**  
In this mode the transmission path is disabled and the device is in low power mode. Supply current from  $V_{Batt}$  is typically  $10\mu A$ . A wake-up signal from the LIN bus or via pin WAKE will be detected and will switch the device to Fail-safe Mode. If EN then switches to high, Normal Mode is activated. Input debounce timers at pin WAKE ( $t_{WAKE}$ ), LIN ( $t_{BUS}$ ) and EN ( $t_{sleep}, t_{nom}$ ) prevent unwanted wake-up events due to automotive transients or EMI. In Sleep Mode the INH pin is left floating. The internal termination between pin LIN and pin  $V_S$  is disabled. Only a weak pull-up current (typical  $10\mu A$ ) between pin LIN and pin  $V_S$  is present. The Sleep Mode can be activated independently from the actual level on pin LIN or WAKE.
3. **Fail-safe Mode**  
At system power-up or after a wake-up event, the device automatically switches to Fail- safe Mode. It switches the INH pin to a high state, to the  $V_S$  level. LIN communication is switched off. The microcontroller of the application will then confirm the Normal Mode by setting the EN pin to high.
4. **Unpowered Mode**  
If you connect battery voltage to the application circuit, the voltage at the VS pin increases according to the block capacitor. After VS is higher than the VS undervoltage threshold  $V_{S_{th}}$ , the IC mode changes from Unpowered Mode to Fail-safe Mode. Then the LIN driver is switched off, but the LIN receiver is active, if the TXD pin is at low level.

**Figure 3-1.** Mode of Operation



**Table 3-1.** Table of Modes

Mode of Operation	Transceiver	INH	RXD	LIN
Fail-safe	Off	On	High, except after wake up	Recessive
Normal	On	On	LIN depending	TXD depending
Sleep	Off	Off	High ohmic	Recessive

Wake-up events from Sleep Mode:

- LIN bus
- EN pin
- WAKE pin
- VS Undervoltage

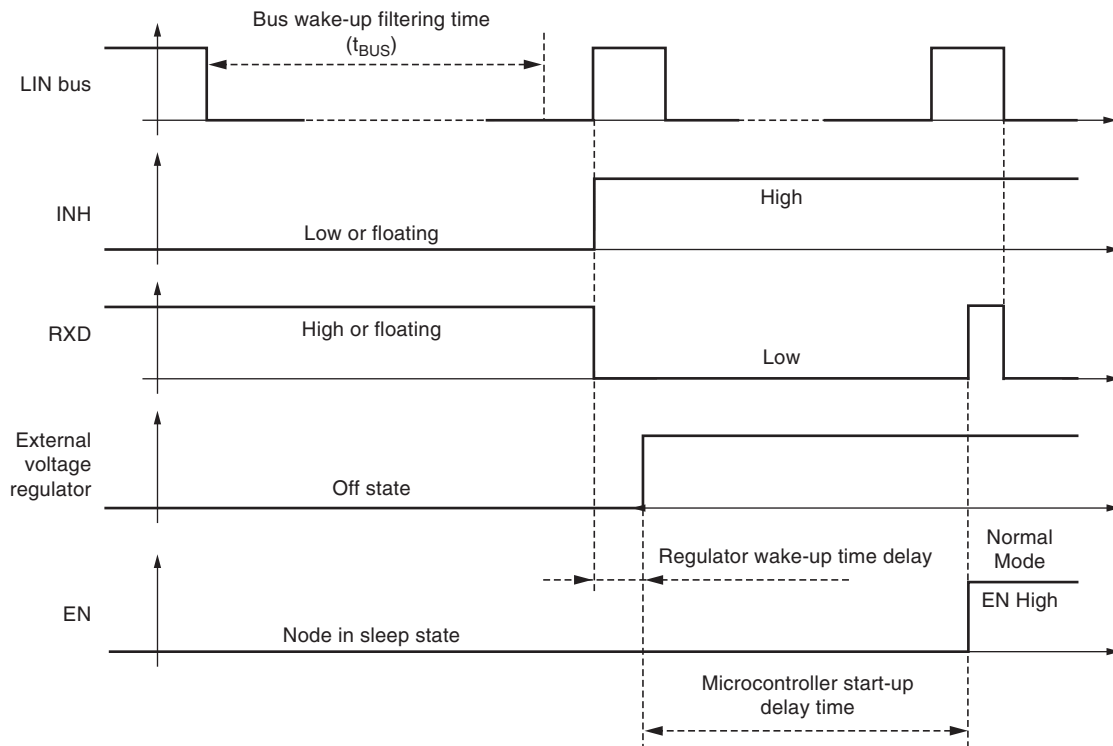
Figure 3-1 on page 5, Figure 3-2 on page 6 and Figure 3-3 on page 7 show details of wake-up operations.

### 3.12 Remote Wake-up via Dominant Bus State

A voltage less than the LIN pre-wake detection  $V_{LINL}$  at pin LIN activates the internal LIN receiver and switches on the internal slave termination between the LIN pin and the VS pin.

A falling edge at pin LIN, followed by a dominant bus level  $V_{BUSdom}$  maintained for a certain time period ( $t_{BUS}$ ) and a rising edge at pin LIN results in a remote wake-up request. The device switches to Fail-safe Mode. Pin INH is activated (switches to  $V_S$ ) and the internal termination resistor is switched on. The remote wake-up request is indicated by a low level at pin RXD to interrupt the microcontroller (see Figure 3-2 on page 6).

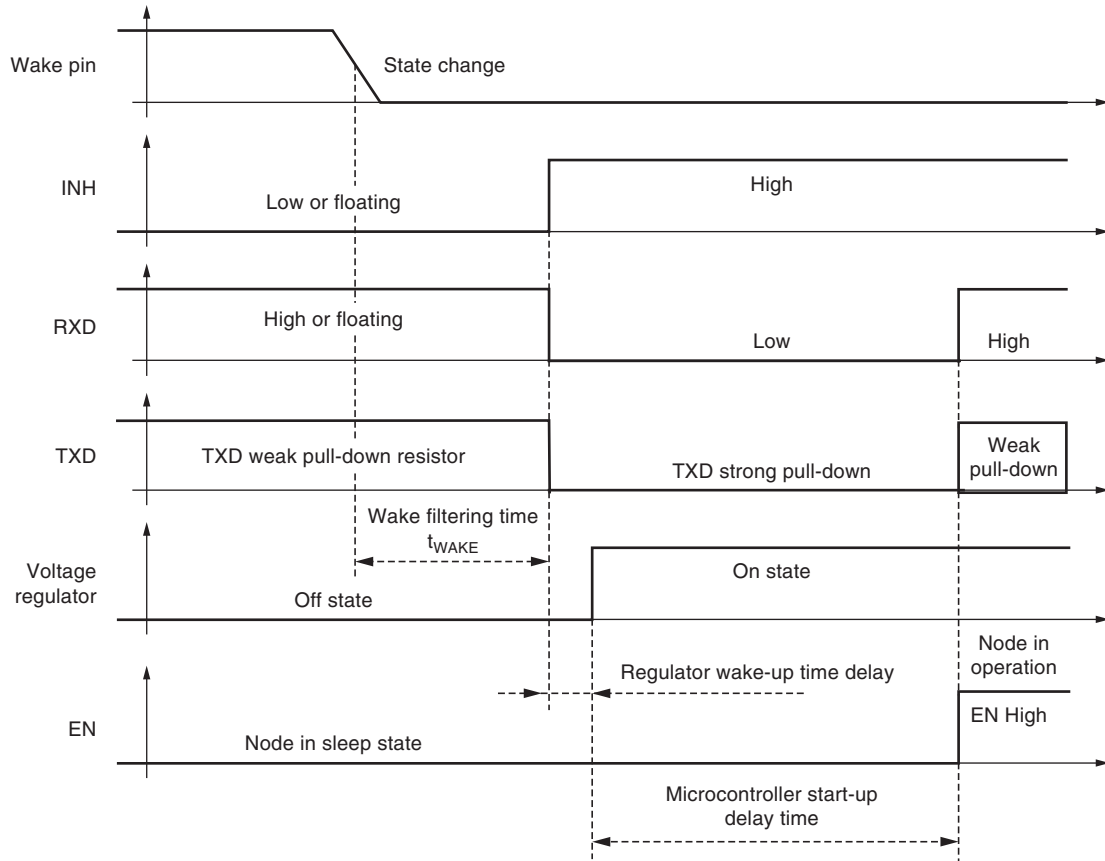
**Figure 3-2.** LIN Wake-up Waveform Diagram



## 3.13 Local Wake-up via Pin WAKE

A falling edge at pin WAKE, followed by a low level maintained for a certain time period ( $t_{WAKE}$ ), results in a local wake-up request. The wake-up time ( $t_{WAKE}$ ) ensures that no transient, according to ISO7637, creates a wake-up. The device switches to Fail-safe Mode. Pin INH is activated (switches to  $V_S$ ) and the internal termination resistor is switched on. The local wake-up request is indicated by a low level at pin RXD to interrupt the microcontroller and a strong pull-down at pin TXD (see Figure on page 9). The voltage threshold for a wake-up signal is 3V below the  $V_S$  voltage with an output current of typical  $-3\mu A$ . Even in the case of a continuous low at pin WAKE it is possible to switch the IC into Sleep Mode via a low at pin EN. The IC will stay in Sleep Mode for an unlimited time. To generate a new wake up at pin WAKE it needs first a high signal  $> 6\mu s$  before a negative edge starts the wake-up filtering time again.

**Figure 3-3.** Wake-up from Wake-up Switch



### 3.14 Wake-up Source Recognition

The device can distinguish between a local wake-up request (pin WAKE) and a remote wake-up request (LIN bus). The wake-up source can be read on pin TXD in Fail-safe Mode. If an external pull-up resistor (typically 5k $\Omega$ ) has been added on pin TXD to the power supply of the microcontroller, a high level indicates a remote wake-up request (weak pull-down at pin TXD) and a low level indicates a local wake-up request (strong pull-down at pin TXD).

The wake-up request flag (signalled on pin RXD) as well as the wake-up source flag (signalled on pin TXD) are reset immediately if the microcontroller sets pin EN to high (see [Figure 3-2 on page 6](#) and [Figure 3-3 on page 7](#)).

### 3.15 Fail-safe Features

- The reverse current is < 2 $\mu$ A at pin LIN during loss of  $V_{BAT}$ ; this is optimal behavior for bus systems where some slave nodes are supplied from battery or ignition.
- Pin EN provides a pull-down resistor to force the transceiver into Sleep Mode if EN is disconnected.
- Pin RXD is set floating if  $V_{BAT}$  is disconnected.
- Pin TXD provides a pull-down resistor to provide a static low if TXD is disconnected.
- The LIN output driver has a current limitation, and if the junction temperature  $T_j$  exceeds the thermal shut-down temperature  $T_{off}$ , the output driver switches off.
- The implemented hysteresis,  $T_{hys}$ , enables the LIN output again after the temperature has been decreased.



## 4. Absolute Maximum Ratings

Stresses beyond those listed under “Absolute Maximum Ratings” may cause permanent damage to the device. This is a stress rating only and functional operation of the device at these or any other conditions beyond those indicated in the operational sections of this specification is not implied. Exposure to absolute maximum rating conditions for extended periods may affect device reliability.

Parameters	Symbol	Min.	Typ.	Max.	Unit
$V_S$ - Continuous supply voltage		-0.3		+40	V
Wake DC and transient voltage (with 33-k $\Omega$ serial resistor) - Transient voltage due to ISO7637 (coupling 1 nF)		-1 -150		+40 +100	V V
Logic pins (RXD, TXD, EN)		-0.3		+5.5	V
LIN - DC voltage - Transient voltage due to ISO7637 (coupling 1nF)		-27 -150		+40 +100	V V
INH - DC voltage		-0.3		$V_S + 0.3$	V
ESD according to IBEE LIN EMC Test specification 1.0 following IEC 61000-4-2 - Pin VS, LIN to GND - Pin WAKE (33k $\Omega$ serial resistor)		$\pm 6$ $\pm 5$			KV KV
ESD HBM following STM5.1 with 1.5k $\Omega$ /100pF - Pin VS, LIN, WAKE, INH to GND		$\pm 6$			KV
HBM ESD ANSI/ESD-STM5.1 JESD22-A114 AEC-Q100 (002)		$\pm 3$			KV
CDM ESD STM 5.3.1		$\pm 750$			V
Machine Model ESD AEC-Q100-RevF(003)		$\pm 100$			V
Junction temperature	$T_j$	-40		+150	$^{\circ}\text{C}$
Storage temperature	$T_{stg}$	-55		+150	$^{\circ}\text{C}$

## 5. Thermal Characteristics

Parameters	Symbol	Min.	Typ.	Max.	Unit
Thermal resistance junction ambient	$R_{thJA}$			145	K/W
Special heat sink at GND (pin 5) on PCB (fused lead frame to pin 5)	$R_{thJA}$		80		K/W
Thermal shutdown	$T_{off}$	150	165	180	$^{\circ}\text{C}$
Thermal shutdown hysteresis	$T_{hys}$	5	10	20	$^{\circ}\text{C}$

## 6. Electrical Characteristics

$5V < V_S < 27V$ ,  $T_j = -40^{\circ}C$  to  $+150^{\circ}C$

No.	Parameters	Test Conditions	Pin	Symbol	Min.	Typ.	Max.	Unit	Type*
<b>1</b>	<b>V<sub>S</sub> Pin</b>								
1.1	DC voltage range nominal		7	V <sub>S</sub>	5	13.5	27	V	A
1.2	Supply current in Sleep Mode	Sleep Mode V <sub>LIN</sub> > V <sub>S</sub> - 0.5V V <sub>S</sub> < 14V	7	I <sub>V<sub>S</sub>sleep</sub>		10	20	μA	A
1.3	Supply current in Normal Mode	Bus recessive V <sub>S</sub> < 14V	7	I <sub>V<sub>S</sub>rec</sub>		0.9	1.3	mA	A
1.4		Bus dominant V <sub>S</sub> < 14V Total bus load > 500Ω	7	I <sub>V<sub>S</sub>dom</sub>		1.2	2	mA	A
1.5	Supply current in Fail-safe Mode	Bus recessive V <sub>S</sub> < 14V	7	I <sub>V<sub>S</sub>fail</sub>	0.5		1.1	mA	A
1.6	V <sub>S</sub> undervoltage threshold on			V <sub>Sth</sub>	4		4.95	V	A
1.7	V <sub>S</sub> undervoltage threshold off			V <sub>Sth</sub>	4.05		5	V	A
1.8	V <sub>S</sub> undervoltage threshold hysteresis		7	V <sub>Sth_hys</sub>	50		500	mV	A
<b>2</b>	<b>RXD Output Pin (Open Drain)</b>								
2.1	Low-level output sink current	Normal Mode V <sub>LIN</sub> = 0V, V <sub>RXD</sub> = 0.4V	1	I <sub>RXDL</sub>	1.3	2.5	8	mA	A
2.2	RXD saturation voltage	5-kΩ pull-up resistor to 5V	1	V <sub>satRXD</sub>			0.4	V	A
2.3	High-level leakage current	Normal Mode V <sub>LIN</sub> = V <sub>BAT</sub> , V <sub>RXD</sub> = 5V	1	I <sub>RXDH</sub>	-3		+3	μA	A
2.4	ESD zener diode	I <sub>RXD</sub> = 100μA	1	V <sub>ZRXD</sub>	5.8		8.6	V	A
<b>3</b>	<b>TXD Input Pin</b>								
3.1	Low-level voltage input		4	V <sub>TXDL</sub>	-0.3		+0.8	V	A
3.2	High-level voltage input		4	V <sub>TXDH</sub>	2		5.5	V	A
3.3	Pull-down resistor	V <sub>TXD</sub> = 5V	4	R <sub>TXD</sub>	125	250	600	kΩ	A
3.4	Low-level leakage current	V <sub>TXD</sub> = 0V	4	I <sub>TXD_leak</sub>	-3		+3	μA	A
3.5	Low-level output sink current	Fail-safe Mode, local wake up V <sub>TXD</sub> = 0.4V V <sub>LIN</sub> = V <sub>BAT</sub>	4	I <sub>TXD</sub>	1.3	2.5	8	mA	A
<b>4</b>	<b>EN Input Pin</b>								
4.1	Low-level voltage input		2	V <sub>ENL</sub>	-0.3		+0.8	V	A
4.2	High-level voltage input		2	V <sub>ENH</sub>	2		5.5	V	A
4.3	Pull-down resistor	V <sub>EN</sub> = 5V	2	R <sub>EN</sub>	125	250	600	kΩ	A
4.4	Low-level input current	V <sub>EN</sub> = 0V	2	I <sub>EN</sub>	-3		+3	μA	A
<b>5</b>	<b>INH Output Pin</b>								
5.1	High-level voltage	Normal Mode I <sub>INH</sub> = -2mA	8	V <sub>INHh</sub>	V <sub>S</sub> - 3		V <sub>S</sub>	V	A
5.2	Leakage current	Sleep Mode V <sub>INH</sub> = 0V/27V, V <sub>S</sub> = 27V	8	I <sub>INHl</sub>	-3		+3	μA	A

\*) Type means: A = 100% tested, B = 100% correlation tested, C = Characterized on samples, D = Design parameter

## 6. Electrical Characteristics (Continued)

5V < V<sub>S</sub> < 27V, T<sub>j</sub> = -40°C to +150°C

No.	Parameters	Test Conditions	Pin	Symbol	Min.	Typ.	Max.	Unit	Type*
<b>6</b>	<b>WAKE Pin</b>								
6.1	High-level input voltage		3	V <sub>WAKEH</sub>	V <sub>S</sub> - 1V		V <sub>S</sub> + 0.3V	V	A
6.2	Low-level input voltage	I <sub>WAKE</sub> = Typically -3μA	3	V <sub>WAKEL</sub>	-1V		V <sub>S</sub> - 3.3V	V	A
6.3	Wake pull-up current	V <sub>S</sub> < 27V	3	I <sub>WAKE</sub>	-30	-10		μA	A
6.4	High-level leakage current	V <sub>S</sub> = 27V, V <sub>WAKE</sub> = 27V	3	I <sub>WAKE</sub>	-5		+5	μA	A
<b>7</b>	<b>LIN Bus Driver</b>								
7.1	Driver recessive output voltage	R <sub>LOAD</sub> = 500Ω / 1kΩ	6	V <sub>BUSrec</sub>	0.9 × V <sub>S</sub>		V <sub>S</sub>	V	A
7.2	Driver dominant voltage V <sub>BUSdom_DRV_LoSUP</sub>	V <sub>VS</sub> = 7V, R <sub>load</sub> = 500Ω	6	V <sub>LoSUP</sub>			1.2	V	A
7.3	Driver dominant voltage V <sub>BUSdom_DRV_HiSUP</sub>	V <sub>VS</sub> = 18V, R <sub>load</sub> = 500Ω	6	V <sub>HiSUP</sub>			2	V	A
7.4	Driver dominant voltage V <sub>BUSdom_DRV_LoSUP</sub>	V <sub>VS</sub> = 7V, R <sub>load</sub> = 1000Ω	6	V <sub>LoSUP_1k</sub>	0.6			V	A
7.5	Driver dominant voltage V <sub>BUSdom_DRV_HiSUP</sub>	V <sub>VS</sub> = 18V, R <sub>load</sub> = 1000Ω	6	V <sub>HiSUP_1k</sub>	0.8			V	A
7.6	Pull-up resistor to V <sub>S</sub>	The serial diode is mandatory	6	R <sub>LIN</sub>	20	30	60	kΩ	A
7.7	Voltage drop at the serial diodes	In pull-up path with R <sub>slave</sub> I <sub>SerDiode</sub> = 10mA	6	V <sub>SerDiode</sub>	0.4		1.0	V	D
7.8	LIN current limitation V <sub>BUS</sub> = V <sub>BAT_max</sub>		6	I <sub>BUS_LIM</sub>	40	120	200	mA	A
7.9	Input leakage current at the receiver, including pull-up resistor as specified	Input leakage current Driver off V <sub>BUS</sub> = 0V, V <sub>S</sub> = 12V	6	I <sub>BUS_PAS_dom</sub>	-1			mA	A
7.10	Leakage current LIN recessive	Driver off 8V < V <sub>BAT</sub> < 18V 8V < V <sub>BUS</sub> < 18V V <sub>BUS</sub> ≥ V <sub>BAT</sub>	6	I <sub>BUS_PAS_rec</sub>		10	20	μA	A
7.11	Leakage current at ground loss; Control unit disconnected from ground; Loss of local ground must not affect communication in the residual network	GND <sub>Device</sub> = V <sub>S</sub> V <sub>BAT</sub> = 12V 0V < V <sub>BUS</sub> < 18V	6	I <sub>BUS_NO_gnd</sub>	-10	+0.5	+10	μA	A
7.12	Leakage current at loss of battery; Node has to sustain the current that can flow under this condition; Bus must remain operational under this condition	V <sub>BAT</sub> disconnected V <sub>SUP_Device</sub> = GND 0V < V <sub>BUS</sub> < 18V	6	I <sub>BUS_NO_bat</sub>		0.1	2	μA	A
7.13	Capacitance on pin LIN to GND		6	C <sub>LIN</sub>			20	pF	D

\*) Type means: A = 100% tested, B = 100% correlation tested, C = Characterized on samples, D = Design parameter

## 6. Electrical Characteristics (Continued)

5V < V<sub>S</sub> < 27V, T<sub>j</sub> = -40°C to +150°C

No.	Parameters	Test Conditions	Pin	Symbol	Min.	Typ.	Max.	Unit	Type*
<b>8</b>	<b>LIN Bus Receiver</b>								
8.1	Center of receiver threshold	$V_{BUS\_CNT} = (V_{th\_dom} + V_{th\_rec}) / 2$	6	V <sub>BUS_CNT</sub>	$0.475 \times V_S$	$0.5 \times V_S$	$0.525 \times V_S$	V	A
8.2	Receiver dominant state	V <sub>EN</sub> = 5V	6	V <sub>BUSdom</sub>	-27		$0.4 \times V_S$	V	A
8.3	Receiver recessive state	V <sub>EN</sub> = 5V	6	V <sub>BUSrec</sub>	$0.6 \times V_S$		40	V	A
8.4	Receiver input hysteresis	V <sub>HYS</sub> = V <sub>th_rec</sub> - V <sub>th_dom</sub>	6	V <sub>BUSHys</sub>	$0.028 \times V_S$	$0.1 \times V_S$	$0.175 \times V_S$	V	A
8.5	Pre-wake detection LIN High-level input voltage		6	V <sub>LINH</sub>	$V_S - 2V$		$V_S + 0.3V$	V	A
8.6	Pre-wake detection LIN Low-level input voltage	Switches the LIN receiver on	6	V <sub>LINL</sub>	-27V		$V_S - 3.3V$	V	A
<b>9</b>	<b>Internal Timers</b>								
9.1	Dominant time for wake-up via LIN bus	V <sub>LIN</sub> = 0V	6	t <sub>BUS</sub>	30	90	150	μs	A
9.2	Time of low pulse for wake-up via pin WAKE	V <sub>WAKE</sub> = 0V	3	t <sub>WAKE</sub>	7	35	50	μs	A
9.3	Time delay for mode change from Fail-safe Mode to Normal Mode via pin EN	V <sub>EN</sub> = 5V	2	t <sub>norm</sub>	2	7	15	μs	A
9.4	Time delay for mode change from Normal Mode into Sleep Mode via pin EN	V <sub>EN</sub> = 0V	2	t <sub>sleep</sub>	2	7	12	μs	A
9.5	TXD dominant time out time	V <sub>TXD</sub> = 0V	4	t <sub>dom</sub>	6	9	20	ms	A
9.6	Power-up delay between V <sub>S</sub> = 5V until INH switches to high	V <sub>VS</sub> = 5V		t <sub>VS</sub>			200	μs	A
<b>10</b>	<b>LIN Bus Driver AC Parameter with Different Bus Loads</b> Load 1 (small): 1nF, 1kΩ; Load 2 (large): 10nF, 500Ω; R <sub>RXD</sub> = 5kΩ; C <sub>RXD</sub> = 20pF; Load 3 (medium): 6.8nF, 660Ω characterized on samples; 10.1 and 10.2 specifies the timing parameters for proper operation at 20Kbit/s, 10.3 and 10.4 at 10.4Kbit/s.								
10.1	Duty cycle 1	TH <sub>Rec(max)</sub> = 0.744 × V <sub>S</sub> TH <sub>Dom(max)</sub> = 0.581 × V <sub>S</sub> V <sub>S</sub> = 7.0V to 18V t <sub>Bit</sub> = 50μs D1 = t <sub>bus_rec(min)</sub> / (2 × t <sub>Bit</sub> )	6	D1	0.396				A
10.2	Duty cycle 2	TH <sub>Rec(min)</sub> = 0.422 × V <sub>S</sub> TH <sub>Dom(min)</sub> = 0.284 × V <sub>S</sub> V <sub>S</sub> = 7.0V to 18V t <sub>Bit</sub> = 50μs D2 = t <sub>bus_rec(max)</sub> / (2 × t <sub>Bit</sub> )	6	D2			0.581		A
10.3	Duty cycle 3	TH <sub>Rec(max)</sub> = 0.778 × V <sub>S</sub> TH <sub>Dom(max)</sub> = 0.616 × V <sub>S</sub> V <sub>S</sub> = 7.0V to 18V t <sub>Bit</sub> = 96μs D3 = t <sub>bus_rec(min)</sub> / (2 × t <sub>Bit</sub> )	6	D3	0.417				A

\*) Type means: A = 100% tested, B = 100% correlation tested, C = Characterized on samples, D = Design parameter

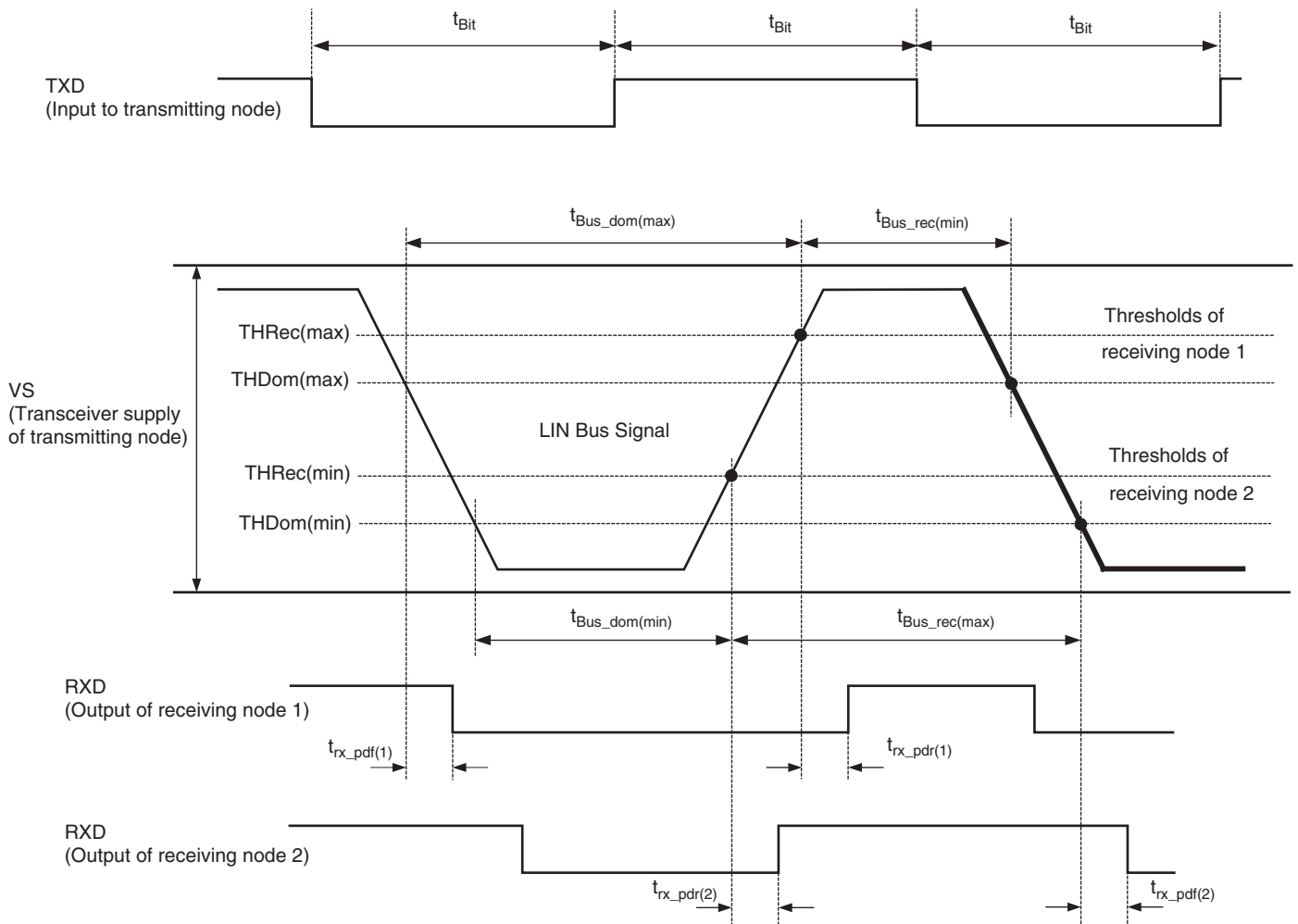
## 6. Electrical Characteristics (Continued)

5V < V<sub>S</sub> < 27V, T<sub>j</sub> = -40°C to +150°C

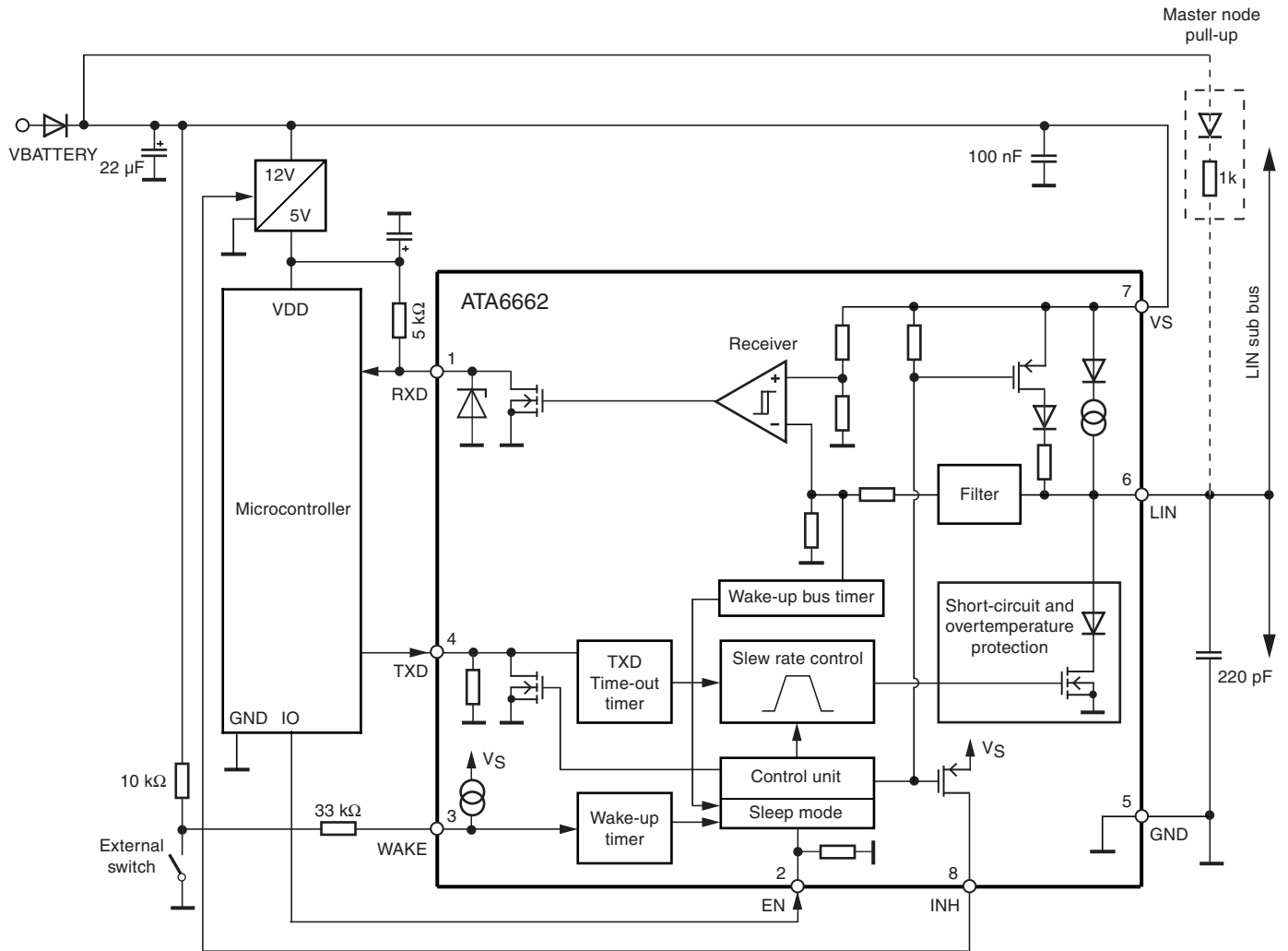
No.	Parameters	Test Conditions	Pin	Symbol	Min.	Typ.	Max.	Unit	Type*
10.4	Duty cycle 4	$TH_{Rec(min)} = 0.389 \times V_S$ $TH_{Dom(min)} = 0.251 \times V_S$ $V_S = 7.0V \text{ to } 18V$ $t_{Bit} = 96\mu s$ $D4 = t_{bus\_rec(max)} / (2 \times t_{Bit})$	6	D4			0.590		A
11	<b>Receiver Electrical AC Parameters of the LIN Physical Layer</b> LIN receiver, RXD load conditions: C <sub>RXD</sub> = 20pF, R <sub>pull-up</sub> = 5kΩ								
11.1	Propagation delay of receiver (see Figure 6-1 on page 13)	$t_{rec\_pd} = \max(t_{rx\_pdr}, t_{rx\_pdf})$ $V_S = 7.0V \text{ to } 18V$	1	t <sub>rx_pd</sub>			6	μs	A
11.2	Symmetry of receiver propagation delay rising edge minus falling edge	$t_{rx\_sym} = t_{rx\_pdr} - t_{rx\_pdf}$ $V_S = 7.0V \text{ to } 18V$	1	t <sub>rx_sym</sub>	-2		+2	μs	A

\*) Type means: A = 100% tested, B = 100% correlation tested, C = Characterized on samples, D = Design parameter

**Figure 6-1.** Definition of Bus Timing Parameter



**Figure 6-2.** Application Circuit



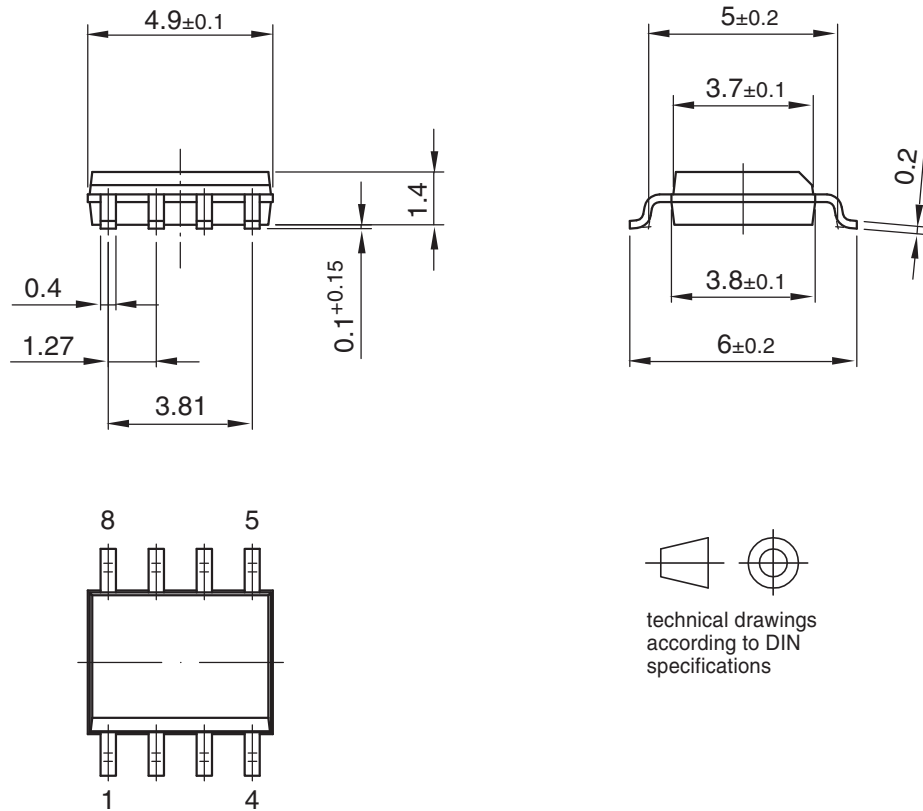
## 7. Ordering Information

Extended Type Number	Package	Remarks
ATA6662-TAQY	SO8	LIN transceiver, Pb-free, 4k, taped and reeled
ATA6662C-TAQY	SO8	LIN transceiver, Pb-free, 4k, taped and reeled

## 8. Package Information

Package: SO 8

Dimensions in mm



Drawing-No.: 6.541-5031.01-4

Issue: 1; 15.08.06

## 9. Revision History

Please note that the following page numbers referred to in this section refer to the specific revision mentioned, not to this document.

Revision No.	History
4916P-AUTO-10/11	<ul style="list-style-type: none"> <li>• Section 3.11 “Operation Modes” on page 5 changed</li> </ul>
4916O-AUTO-05/10	<ul style="list-style-type: none"> <li>• Features on page 1 changed</li> <li>• Heading 3.6: text changed</li> </ul>
4916N-AUTO-03/10	<ul style="list-style-type: none"> <li>• Features on page 1 changed</li> <li>• Section 4 “Absolute Maximum Ratings” on page 9 changed</li> <li>• Section 6 “Electrical Characteristics” number 7.13 on page 11 added</li> <li>• Section 7 “Ordering Information” on page 16 changed</li> </ul>
4916M-AUTO-09/09	<ul style="list-style-type: none"> <li>• Figure 1-1 “Block Diagram” on page 1 changed</li> <li>• Section 4 “Absolute Maximum Ratings” on page 8 changed</li> <li>• Figure 6-2 “Application Circuit” on page 14 changed</li> </ul>
4916L-AUTO-02/09	<ul style="list-style-type: none"> <li>• Section 6 “El.Characteristics” numbers 3.2 and 4.2 on page 9 changed</li> </ul>
4916K-AUTO-12/08	<ul style="list-style-type: none"> <li>• Figure 2-1 “Pinning SO8” on page 2 changed</li> <li>• Section 3.2 “Supply Pin (<math>V_S</math>)” on page 3 changed</li> <li>• Section 3.8 “Enable Input Pin (EN)” on page 4 changed</li> <li>• Section 3.11 “Operation Modes” on page 5 changed</li> <li>• Section 3.12 “Remote Wake-up via Dominant Bus State” on page 5 changed</li> <li>• Section 3.14 “Wake-up Source Recognition” on page 6 changed</li> <li>• Figure 3.2 “LIN Wake-up Waveform Diagram” on page 7 changed</li> <li>• Figure 3.3 “Wake-up from Wake-up Switch” on page 7 changed</li> <li>• Section 4 “Absolute Maximum Ratings” on page 8 changed</li> <li>• Section 5 “Thermal Resistance” on page 8 changed</li> <li>• Section 6 “Electrical Characteristics” on pages 9 to 12 changed</li> <li>• Figure 6-2 “Application Circuit” on page 13 changed</li> </ul>
4916J-AUTO-02/08	<ul style="list-style-type: none"> <li>• “Pre-normal Mode” in “Fail-safe Mode” changed</li> <li>• Section 3.9 “Inhibit Output Pin (INH) on page 4 changed</li> <li>• Section 4 “Absolute Maximum Ratings” on page 8 changed</li> <li>• Section 6 “Electrical Characteristics” number 5.1 on page 9 changed</li> </ul>
4916I-AUTO-12/07	<ul style="list-style-type: none"> <li>• Section 3.1 “Physical Layer Compatibility” on page 3 added</li> <li>• Section 6 “El.Characteristics” numbers 1.5, 1.6 and 1.7 on page 9 changed</li> </ul>
4916H-AUTO-10/07	<ul style="list-style-type: none"> <li>• Section 7 “Ordering Information” on page 14 changed</li> </ul>
4916G-AUTO-07/07	<ul style="list-style-type: none"> <li>• Put datasheet in a new template</li> <li>• Capital T for time generally changed in a lower case t</li> </ul>



Please note that the following page numbers referred to in this section refer to the specific revision mentioned, not to this document. (Continued)

Revision No.	History
4916F-AUTO-05/07	<ul style="list-style-type: none"> <li>• Figure 1-1 “Block Diagram” on page 1 changed</li> <li>• Figure 6-2 “Application Circuit” on page 13 changed</li> <li>• Features on page 1 changed</li> <li>• Section 6 “El.Characteristics” numbers 10.1 to 10.4 and 11.1, 11.2 changed</li> </ul>
4916E-AUTO-02/07	<ul style="list-style-type: none"> <li>• Section 4 “Absolute Maximum Ratings” on page 8 changed</li> <li>• Section 2 “Electrical Characteristics” on pages 9 to 11 changed</li> </ul>
4916D-AUTO-02/07	<ul style="list-style-type: none"> <li>• Features on page 1 changed</li> <li>• Section 1 “Description” on page 1 changed</li> <li>• Table 2-1 “Pin Description” on page 2 changed</li> <li>• Section 3.2 “Ground Pin (GND)” on page 3 changed</li> <li>• Section 3.7 “Enable Input Pin (EN)” on page 4 changed</li> <li>• Section 3.11 “Remote Wake-up via Dominant Bus State” on page 5 changed</li> <li>• Figure 3-1 “Mode of Operation” on page 6 changed</li> <li>• Section 3-14 “Fail-safe Features” on page 6 changed</li> <li>• Section 4 “Absolute Maximum Ratings” on page 8 changed</li> <li>• Section 6 “Electrical Characteristics” on pages 9 to 11 changed</li> </ul>



***Atmel Corporation***

2325 Orchard Parkway  
San Jose, CA 95131  
USA

**Tel:** (+1)(408) 441-0311

**Fax:** (+1)(408) 487-2600

***Atmel Asia Limited***

Unit 01-5 & 16, 19/F  
BEA Tower, Millennium City 5  
418 Kwun Tong Road  
Kwun Tong, Kowloon  
HONG KONG

**Tel:** (+852) 2245-6100

**Fax:** (+852) 2722-1369

***Atmel Munich GmbH***

Business Campus  
Parking 4  
D-85748 Garching b. Munich  
GERMANY

**Tel:** (+49) 89-31970-0

**Fax:** (+49) 89-3194621

***Atmel Japan***

9F, Tonetsu Shinkawa Bldg.  
1-24-8 Shinkawa  
Chuo-ku, Tokyo 104-0033  
JAPAN

**Tel:** (+81) (3) 3523-3551

**Fax:** (+81) (3) 3523-7581

© 2011 Atmel Corporation. All rights reserved. / Rev.: 4916P-AUTO-10/11

Atmel®, Atmel logo and combinations thereof, and others are registered trademarks or trademarks of Atmel Corporation or its subsidiaries. Other terms and product names may be trademarks of others.

Disclaimer: The information in this document is provided in connection with Atmel products. No license, express or implied, by estoppel or otherwise, to any intellectual property right is granted by this document or in connection with the sale of Atmel products. EXCEPT AS SET FORTH IN THE ATMEL TERMS AND CONDITIONS OF SALES LOCATED ON THE ATMEL WEBSITE, ATMEL ASSUMES NO LIABILITY WHATSOEVER AND DISCLAIMS ANY EXPRESS, IMPLIED OR STATUTORY WARRANTY RELATING TO ITS PRODUCTS INCLUDING, BUT NOT LIMITED TO, THE IMPLIED WARRANTY OF MERCHANTABILITY, FITNESS FOR A PARTICULAR PURPOSE, OR NON-INFRINGEMENT. IN NO EVENT SHALL ATMEL BE LIABLE FOR ANY DIRECT, INDIRECT, CONSEQUENTIAL, PUNITIVE, SPECIAL OR INCIDENTAL DAMAGES (INCLUDING, WITHOUT LIMITATION, DAMAGES FOR LOSS AND PROFITS, BUSINESS INTERRUPTION, OR LOSS OF INFORMATION) ARISING OUT OF THE USE OR INABILITY TO USE THIS DOCUMENT, EVEN IF ATMEL HAS BEEN ADVISED OF THE POSSIBILITY OF SUCH DAMAGES. Atmel makes no representations or warranties with respect to the accuracy or completeness of the contents of this document and reserves the right to make changes to specifications and products descriptions at any time without notice. Atmel does not make any commitment to update the information contained herein. Unless specifically provided otherwise, Atmel products are not suitable for, and shall not be used in, automotive applications. Atmel products are not intended, authorized, or warranted for use as components in applications intended to support or sustain life.