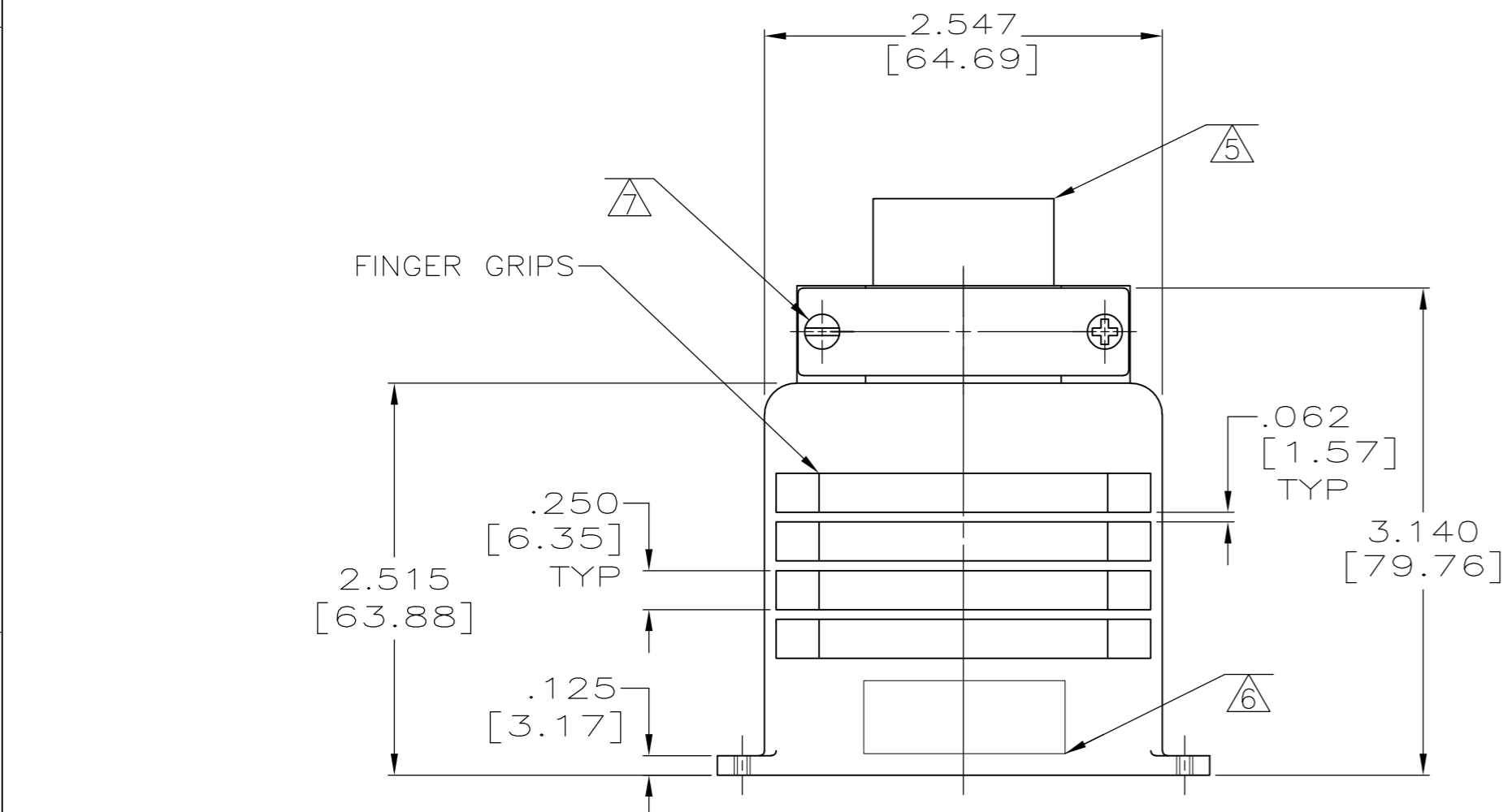
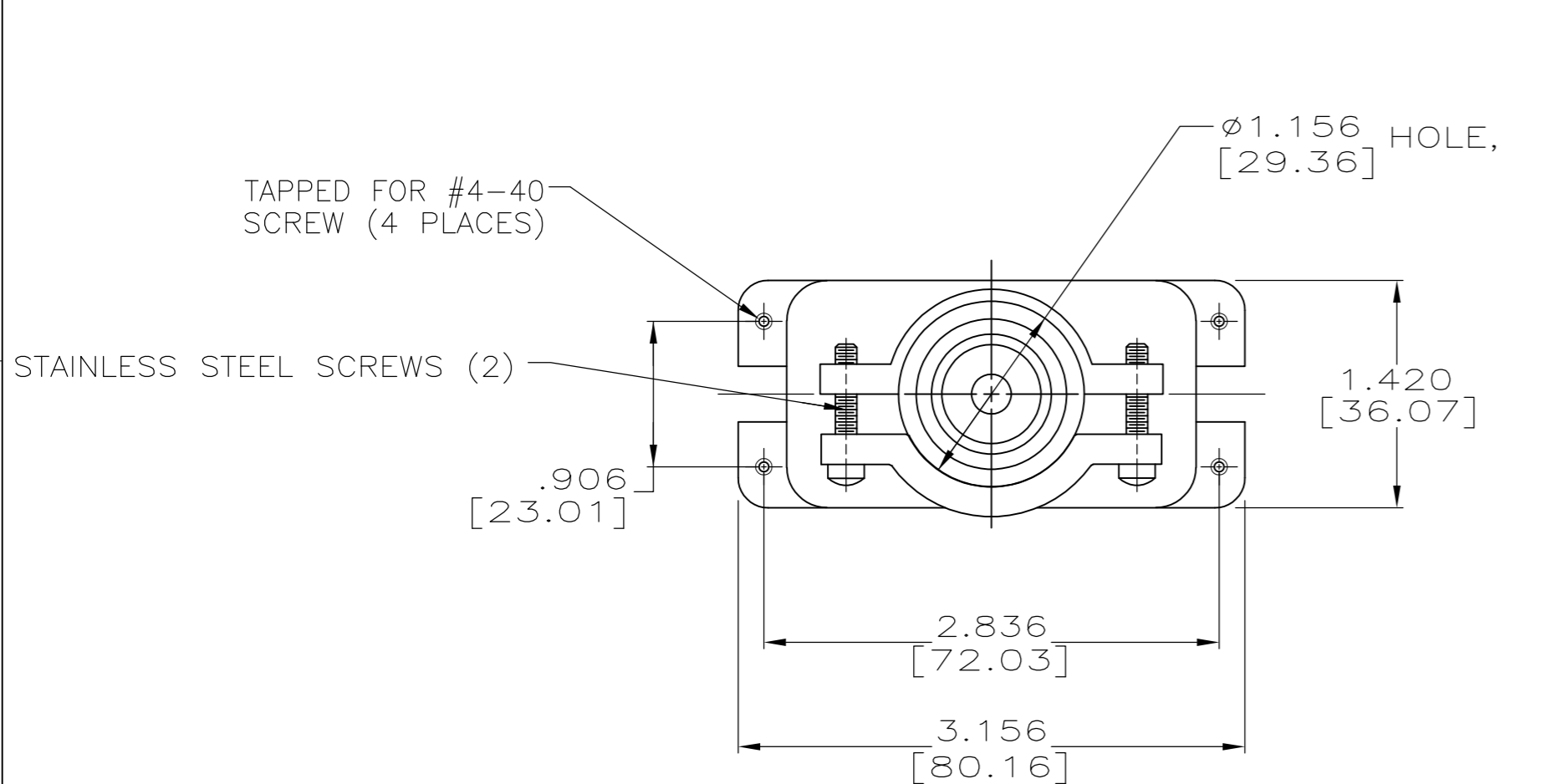


THIS DRAWING IS UNPUBLISHED. RELEASED FOR PUBLICATION - N/A .  
 © COPYRIGHT N/A By - ALL RIGHTS RESERVED.

LOC	DIST	REVISIONS					
DF	B0	P	LTR	DESCRIPTION	DATE	DWN	APVD
		V		REV PER ECO-11-011379	20JUN11	PY	DE



- ① ZINC PLATE PER ASTM B633 TYPE II .0002 [0.005] TO .0004 [0.010] THICK, GOLD CHROMATE.
- ② ZINC PLATE PER ASTM B633, TYPE II .0002 [0.005] TO .0004 [0.010] THICK, OLIVE DRAB CHROMATE.
- ③ ZINC PLATE PER ASTM B633 TYPE III .0002 [0.005] TO .0004 [0.010] THICK, CLEAR CHROMATE.
- ④ ZINC PLATE PER ASTM B633 TYPE II CLASS 3 COLORLESS SUPPLEMENTARY CHROMATE.
- ⑤ FOUR RUBBER BUSHINGS SUPPLIED TO, PROVIDE .250 [6.35], .625 [15.88], .750 [19.05] AND .937 [23.81], DIAMETER OUTLETS.
- 6. AMP 202301-X AND DATE CODE MARKED APPROXIMATELY AS SHOWN.
- ⑦ STANDARD FILLISTER HEAD SCREW, 1--0, 1--1, 1--3, 6--0 & 6--1.
- 8. SHIELD TO ACCOMMODATE MODULE RECEPTACLE ASSEMBLY OR PLUG ASSEMBLY.
- ⑨ BULK PACKAGED.
- ⑩ PLATED ELECTROLESS NICKEL PER SAE-AMS-C-26074, .000400[0.010]-.000800[0.020] THK (NO INTENTIONAL ADDITIONS OF LEAD OR CADMIUM PER DFE STANDARD 230-700).

OBSOLETE	⑦	YES	YES	⑩	6-202301-1
	⑦	YES	NO	⑩	6-202301-0
OBSOLETE	-	YES	YES	⑩	5-202301-5
OBSOLETE	⑦⑨	YES	YES	③	1-202301-3
OBSOLETE	-	YES	YES	①	1-202301-2
SUPERSEDED BY 6-202301-1	⑦	YES	YES	③	1-202301-1
SUPERSEDED BY 6-202301-0	⑦	YES	NO	③	1-202301-0
	-	YES	NO	③	202301-9
	-	YES	NO	②	202301-8
OBSOLETE	-	NO	NO	③	202301-7
OBSOLETE	-	YES	YES	②	202301-6
SUPERSEDED BY 5-202301-5	-	YES	YES	③	202301-5
OBSOLETE	-	NO	NO	②	202301-4
OBSOLETE	-	NO	NO	④	202301-3
OBSOLETE	-	NO	YES	②	202301-2
OBSOLETE	-	NO	YES	④	202301-1

REMARKS	FINGER GRIPS BOTH SIDES	BUSHINGS	FINISH	PART NUMBER
		⑤		

THIS DRAWING IS A CONTROLLED DOCUMENT.

DWN JESSE A BAKER 15-JAN-93	CHK DALE MUMMEY 15-JAN-93	APVD DALE MUMMEY 15-JAN-93	NAME												
DIMENSIONS: INCHES			TOLERANCES UNLESS OTHERWISE SPECIFIED:												
<table border="1"> <tr><td>0 PLC</td><td>± -</td></tr> <tr><td>1 PLC</td><td>± -</td></tr> <tr><td>2 PLC</td><td>± -</td></tr> <tr><td>3 PLC</td><td>± .015[0.38]</td></tr> <tr><td>4 PLC</td><td>± -</td></tr> <tr><td>ANGLES</td><td>± 0°30'</td></tr> </table>			0 PLC	± -	1 PLC	± -	2 PLC	± -	3 PLC	± .015[0.38]	4 PLC	± -	ANGLES	± 0°30'	PRODUCT SPEC
0 PLC	± -														
1 PLC	± -														
2 PLC	± -														
3 PLC	± .015[0.38]														
4 PLC	± -														
ANGLES	± 0°30'														
MATERIAL DIE CAST ALUM QQ-A-591			FINISH SEE TABLE												
WEIGHT -		SCALE A2 00779	RESTRICTED TO -												
CUSTOMER DRAWING		SCALE 1:1	SHEET 1 of 1												

TE Connectivity  
 SHIELD FOR MODULE ASSY  
 3 BLOCK ASSY  
 SERIES G