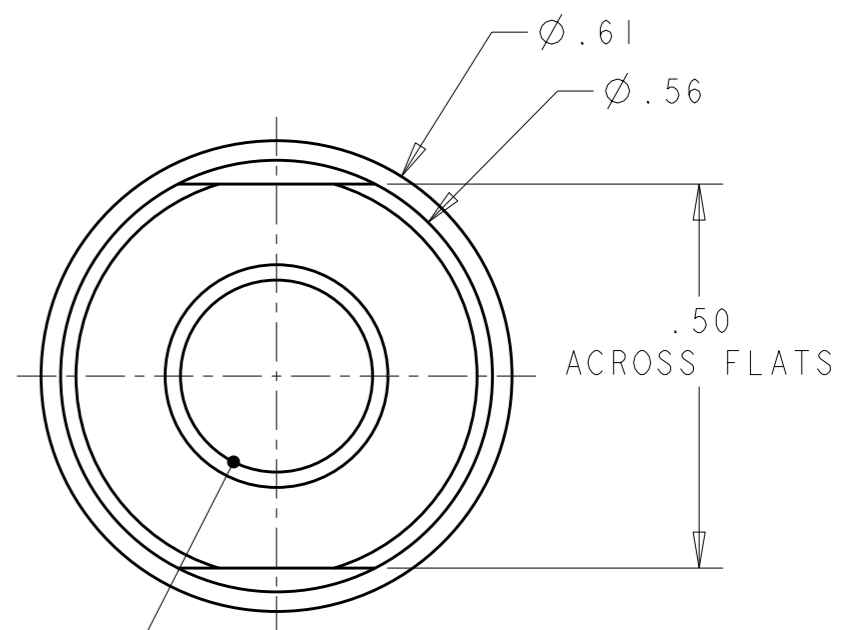
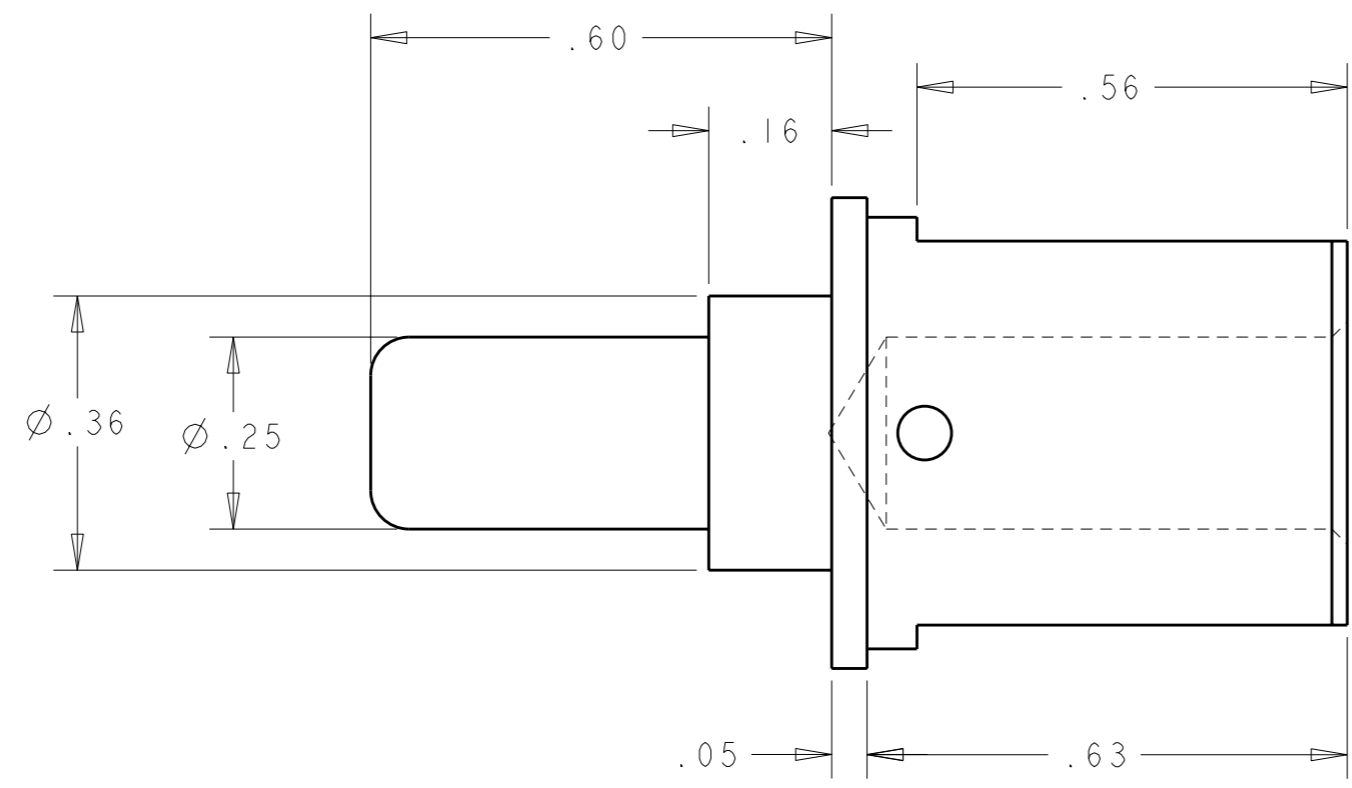
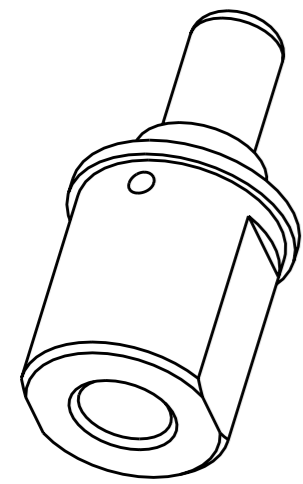


THIS DRAWING IS UNPUBLISHED. RELEASED FOR PUBLICATION 20  
 © COPYRIGHT 20 BY TYCO ELECTRONICS CORPORATION. ALL RIGHTS RESERVED.

LOC	DIST	REVISIONS			
P	LTR	DESCRIPTION	DATE	DWN	APVD
GP	00	A	INITIAL RELEASE	02MAR2007	GIP MP



1/4-20UNC-2B x .50 DEEP

- PART NUMBER CHANGES AND/OR DESIGN CHANGES AFFECTING ITEM INTERCHANGEABILITY REQUIRE PRIOR TYCO ELECTRONICS APPROVAL AND AUTHORIZATION BY REVISION TO THIS DRAWING.
- ITEMS PROVIDED TO THIS SPECIFICATION SHALL BE IDENTIFIED ON THE CONTAINER WITH THE FOLLOWING INFORMATION: PART NUMBER & DATE CODE OF MANUFACTURE.
- MATERIAL: COPPER ALLOY
- FINISH: SILVER PLATE .000200 MIN THICK OVER NICKEL PLATE .000030 MIN THICK.

NOTES: UNLESS OTHERWISE SPECIFIED.

1766267-1  
PART NUMBER

<small>THIS DRAWING IS A CONTROLLED DOCUMENT FOR TYCO ELECTRONICS CORPORATION IT IS SUBJECT TO CHANGE AND THE CONTROLLING ENGINEERING ORGANIZATION SHOULD BE CONTACTED FOR THE LATEST REVISION.</small>		DWN G. PETERS 02MAR2007 CHK M. PERCHERKE 02MAR2007 APVD S. FLICKINGER 02MAR2007	<b>tyco</b> <b>Electronics</b> Tyco Electronics Harrisburg, PA 17105-3608
DIMENSIONS: INCHES [mm]	TOLERANCES UNLESS OTHERWISE SPECIFIED: 0 PLC ±- 1 PLC ±- 2 PLC ±.02 3 PLC ±.010 4 PLC ±- ANGLES ±-	PRODUCT SPEC - APPLICATION SPEC - WEIGHT -	NAME CONTACT PIN SIZE 1/4 w/ SIZE 1/4 20UNC 2B THREAD
MATERIAL -	FINISH -	CUSTOMER DRAWING	SIZE A3 CAGE CODE 00779 DRAWING NO C-1766267 RESTRICTED TO -
AMP 1470-19 REV 31MAR2000		SCALE	SHEET OF REV A