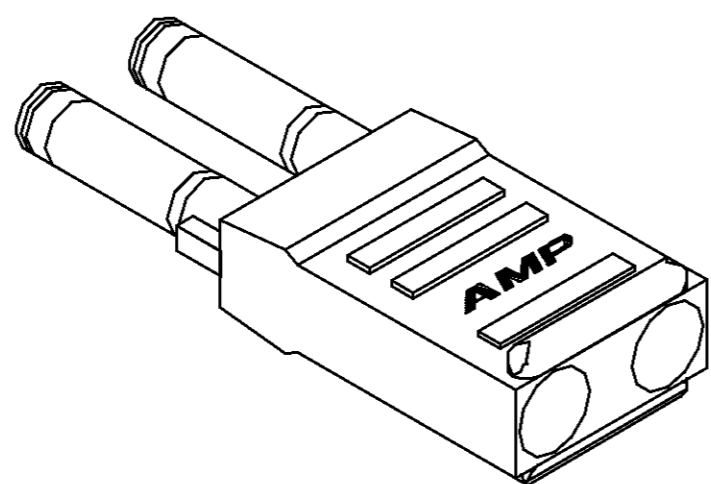
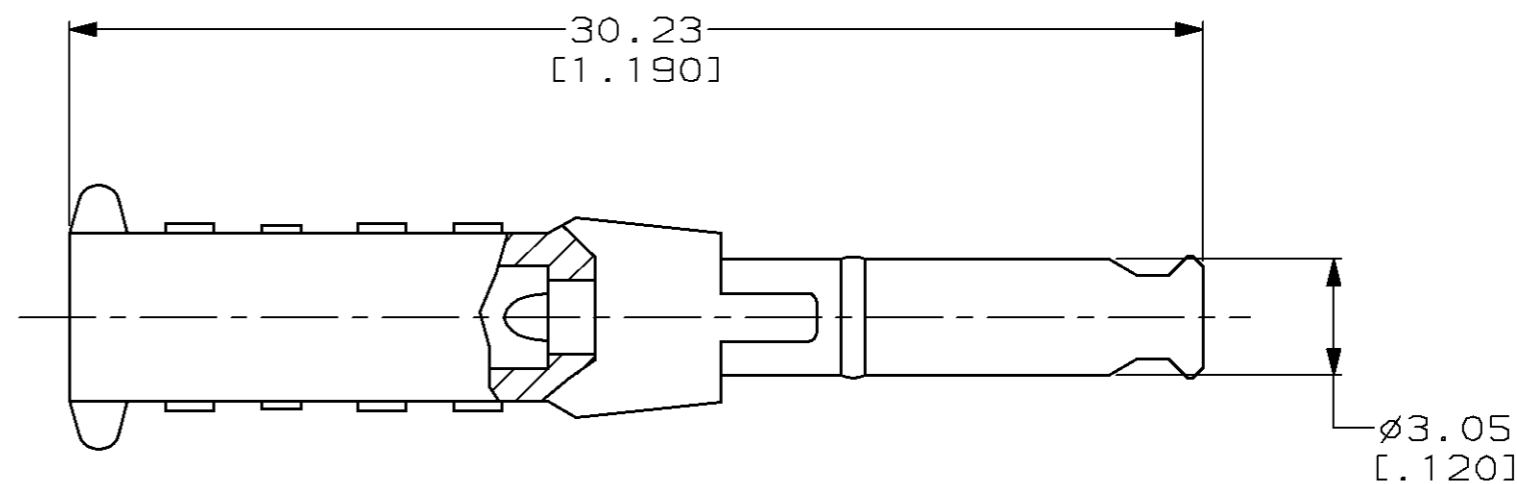
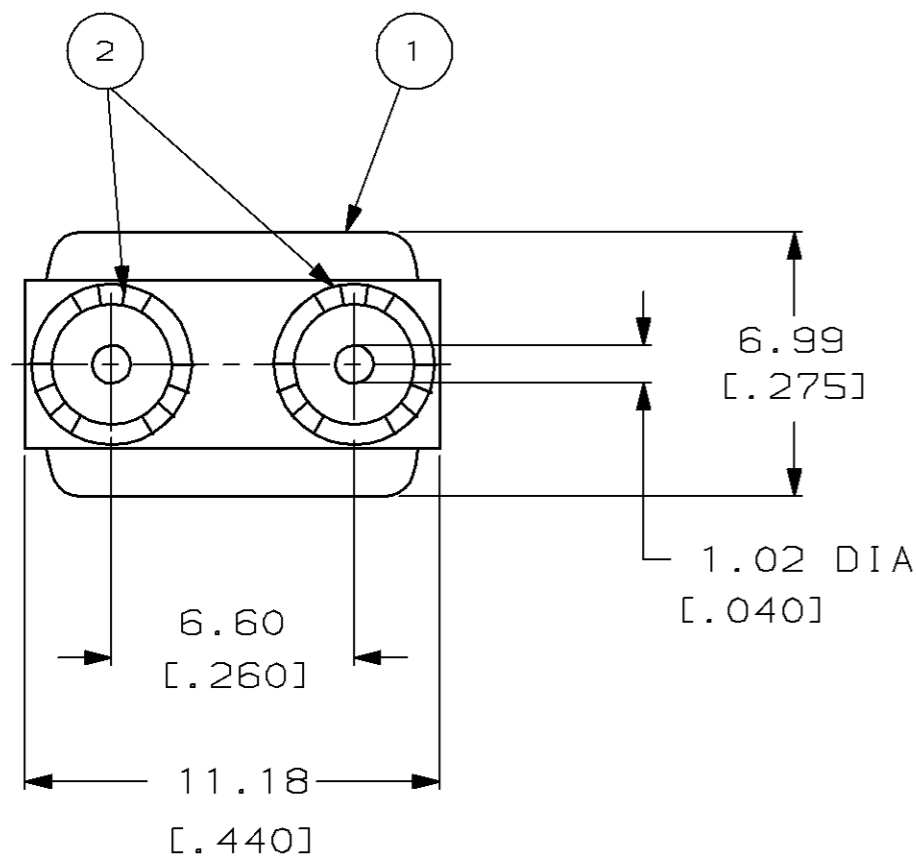


THIS DRAWING IS UNPUBLISHED. RELEASED FOR PUBLICATION ,19 .  
 © COPYRIGHT 19 BY AMP INCORPORATED, HARRISBURG, PA. ALL INTERNATIONAL RIGHTS RESERVED. AMP PRODUCTS MAY BE COVERED BY U.S. AND FOREIGN PATENTS AND/OR PATENTS PENDING.

LOC	DIST	P	F	REVISIONS				
				ZONE	LTR	DESCRIPTION	DATE	APPROVED
CE	16				D	REDRAW W/CHG CE-783		
					E	REVISED PER 0A00-0049-99	19FEB99	KM

1. DIMENSIONS IN [ ] ARE IN INCHES



METRIC

QTY REQD PER ASSY	PART NO	DESCRIPTION	ITEM NO
2	228046-1	RETENTION CLIP	2
1	228044-1	DUAL POSITION PLUG	1

UNLESS OTHERWISE SPECIFIED DIMENSIONS ARE IN MM TOLERANCES ON:		DR 9-15-86 J. ZEIDERS		AMP INCORPORATED Harrisburg, Pa. 17105	
2 PL DEC ± .25 [.010]		CHK 9-15-86 W. MILLER			
3 PL DEC ± -		APPD 9-15-86 A. PLOTTS		NAME	
ANGLES ± -		APPD 9-15-86 K. MONROE		PLUG ASSY, DUAL POSITION, DNP, OPTIMATE	
MATERIAL		PRODUCT SPEC		SIZE	FSCM NO
PLUG: THERMOPLASTIC		108-45104		B	00779
COLOR: BLACK		APPLICATION SPEC		DRAWING NO	
CLIP: BRASS		IS SHEET 2974		228088	
FINISH		WEIGHT		SCALE	SHEET
-		1.4g		NTS	1 OF 1