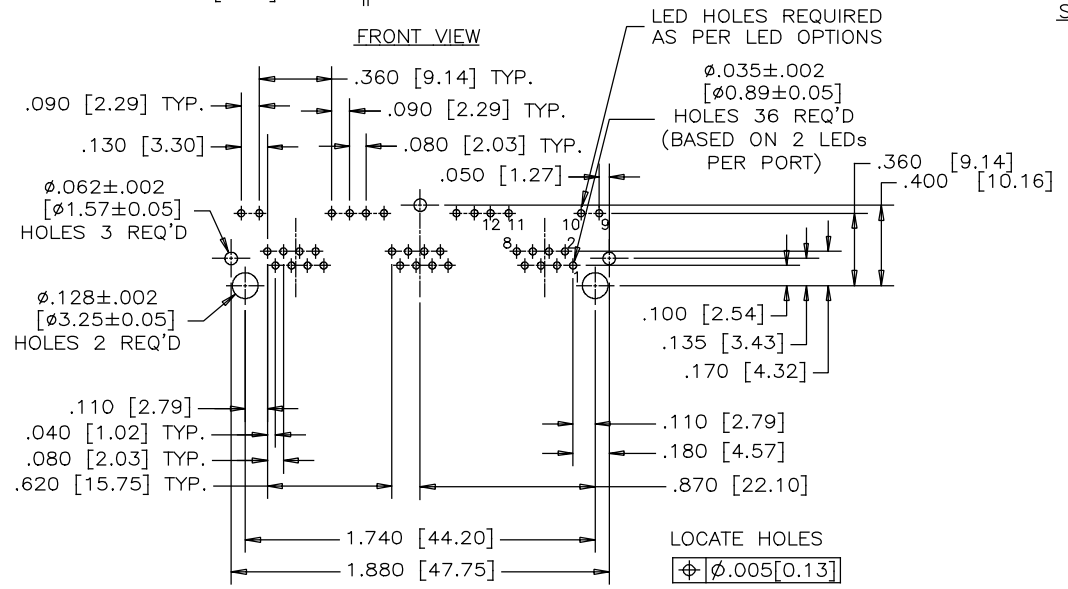
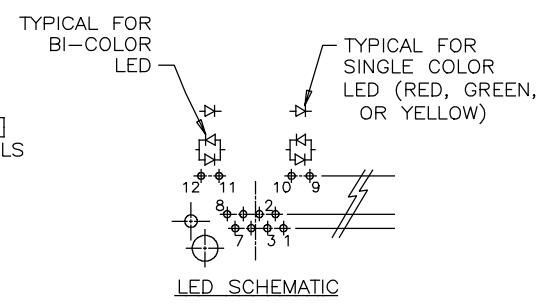
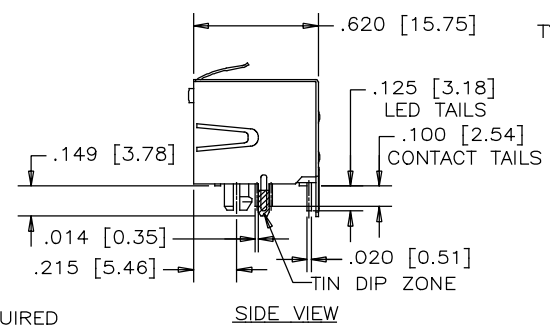
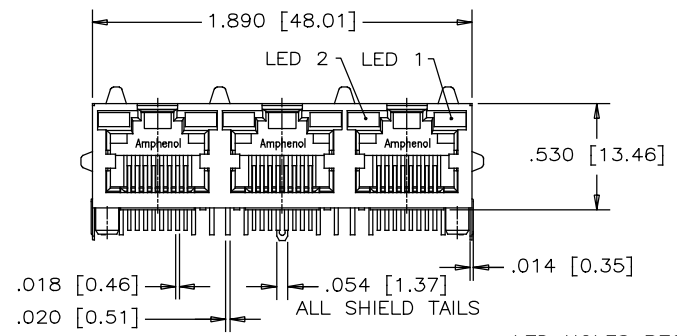
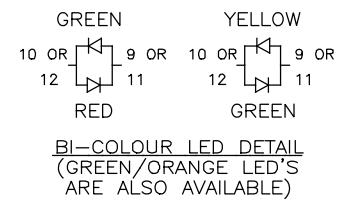


REVISIONS			
REV	DESCRIPTION, ECN, EAR NO.	DATE	APP'D
A	PROPOSAL	JAN19/05	K.L.
B	ADD DIMENSIONS	JUN23/14	L.CHAN
C	ADD DIMENSIONS OF LAYOUT	OCT21/14	L.CHAN

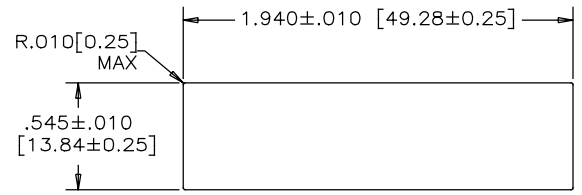


LED HOLES REQUIRED AS PER LED OPTIONS
 $\phi .035 \pm .002$
 $[\phi 0.89 \pm 0.05]$
 HOLES 36 REQ'D (BASED ON 2 LED'S PER PORT)
 LOCATE HOLES
 $\phi \phi .005 [0.13]$
 POSITION DIMENSIONS ARE BASIC



MATERIALS:
 PLASTIC HOUSING: HIGH TEMPERATURE ENGINEERING THERMOPLASTIC
 FLAMMABILITY RATING UL 94V-0, BLACK
 CONTACTS: PHOSPHOR BRONZE
 PLATING: 50 μ " [1.27 MICRONS] MIN. GOLD ON MATING SURFACES.
 50 μ " [1.27 MICRONS] MIN. NICKEL UNDERPLATE
 100 μ " [2.54 MICRONS] MIN. MATTE TIN ON CONTACT TAILS.
 SHIELD: COPPER ALLOY
 PLATING: NICKEL

PART NUMBER: RJHSE-538X-03
 REFER TO LED OPTIONS DRAWING FOR ORDERING CODES



UNLESS SPECIFIED OTHERWISE	DRAWN <i>Frank W</i> JUN 23/14	Amphenol Canada Corp. www.amphenolcanada.com
PRIMARY UNITS INCH	CHECKED <i>Lawrence C</i> JUN 23/14	
SECONDARY MILLIMETERS	M.E. APP'D	TITLE
REFERENCE IN PARENTHESES	Q.A. APP'D	RJHSE SERIES, THREE PORT MODULAR JACK, 8 POSITIONS & 8 CONTACTS PER PORT, SHIELDED, WITH LED'S - RoHS COMPLIANT
GENERAL TOLERANCES	DWG APPR.	DWG. NO.
1 DECIMAL PLACE ± 0.025	ENG. REL. NO.	P-RJHSE-538X-03
2 DECIMAL PLACES ± 0.020	REF.	REV C
3 DECIMAL PLACES ± 0.015	THIRD ANGLE PROJECTION	CODE ID NO. 03554 DWG SIZE: C SCALE: N/A SHEET 1 OF 1
ANGULAR DEGREES $\pm 1.0^\circ$	DO NOT SCALE DRAWING	

THIS DOCUMENT CONTAINS PROPRIETARY INFORMATION AND SUCH INFORMATION MAY NOT BE DISCLOSED TO OTHERS FOR ANY PURPOSE OR USED FOR MANUFACTURING PURPOSES WITHOUT WRITTEN PERMISSION FROM AMPHENOL CANADA CORP.