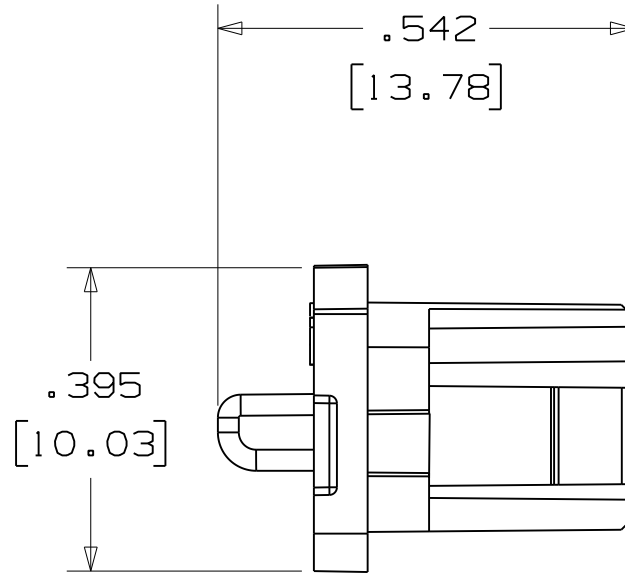
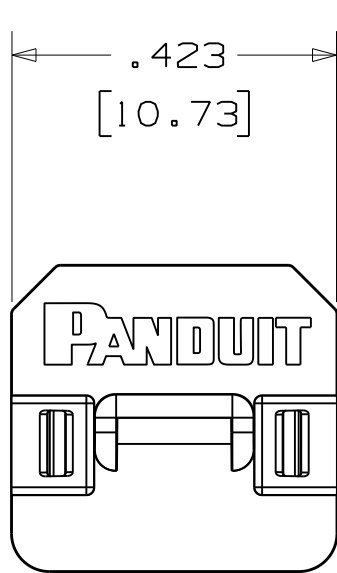
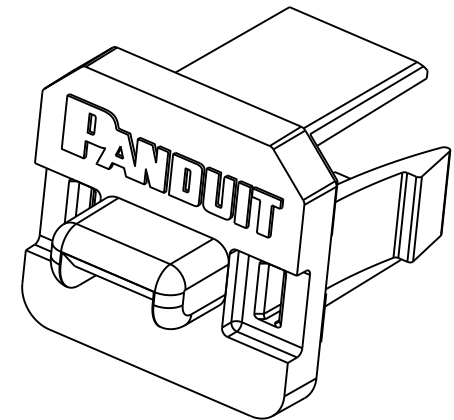


THIS COPY IS PROVIDED ON A RESTRICTED BASIS AND IS NOT TO BE USED IN ANY WAY DETRIMENTAL TO THE INTERESTS OF PANDUIT CORP.



- NOTES:
1. [] DENOTE MILLIMETERS
 2. TEMPERATURE RANGE:
-40°F (-40°C) TO 120°F (60°C)
 3. RoHS COMPLIANT



CAD FILENAME/LAYERS 111084BD_DC_C10956/08B

PANDUIT CORP. TINLEY PARK, ILLINOIS

PSL-USBB
USB TYPE "B" BLOCKOUT
CUSTOMER DRAWING

UNLESS OTHERWISE SPECIFIED,
DIMENSIONAL TOLERANCES ARE:
(.X) ± .05 (.XXX) ± .015
(.XX) ± .03 ANGLES ± 5°

UNLESS OTHERWISE SPECIFIED,
ALL DIMENSIONS ARE GIVEN
IN INCHES, THIRD ANGLE PROJECTION.

REV	DATE	BY	CHK	DESCRIPTION	ECN	R	CUST	SUP
1	6/7/12	JHAC		ADDED PART NUMBER TO TITLE BLOCK	GAECN00001			
0	3/13/12	JHAC		DRAWING RELEASE	6735			

DRAWN BY JHAC	MAT'L: RED POLYCARBONATE	SCALE 4 : 1
DATE 03/13/12		DRAWING NO. C10956
CHK'D		DWG A SIZE