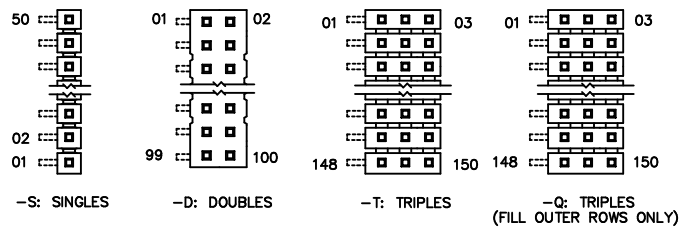
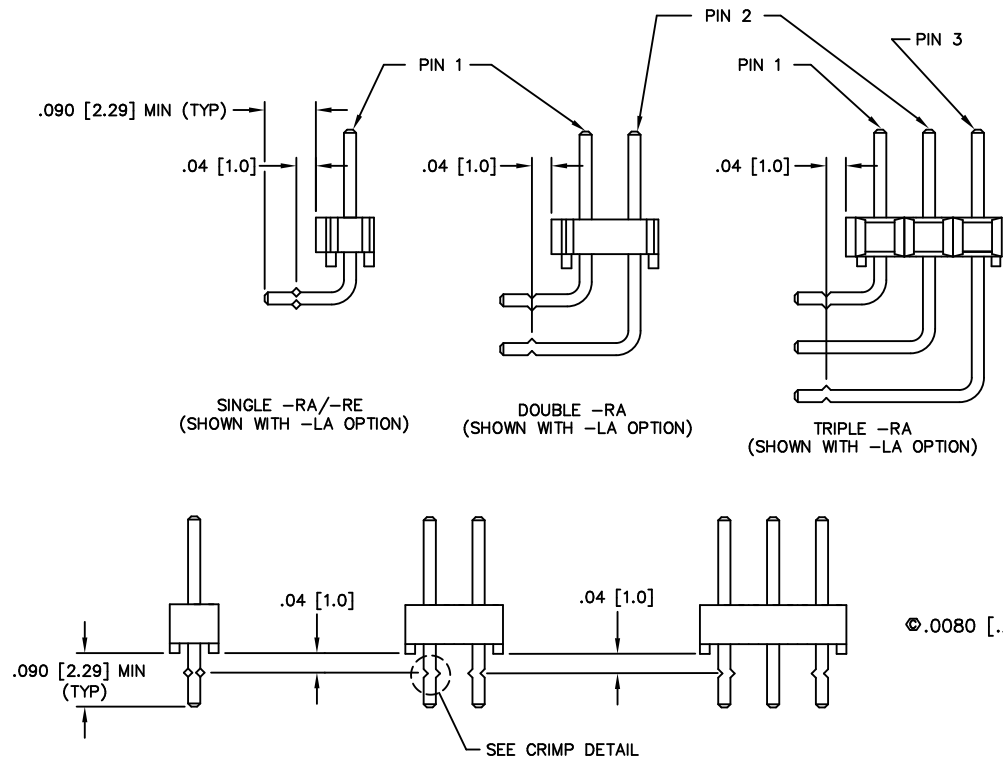


DIMENSIONS ARE IN INCHES		UNLESS OTHERWISE NOTED		TOLERANCES ARE:	
ONE PLACE DECIMALS ±.1 [3]	THREE PLACE DECIMALS ±.005 [.13]	ANGLES ± 2°			
TWO PLACE DECIMALS ±.01 [.3]	FOUR PLACE DECIMALS ± .0020 [.051]				

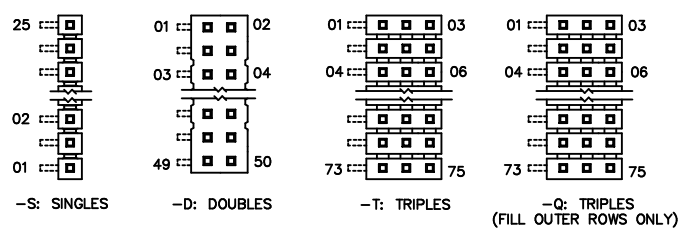
TITLE: ASSEMBLY  
 .025 [.64] SQ POST  
 TERMINAL STRIP

DWG NO: MTSW-XXX-XX-X-XXXX-XX-XXX  
 SHEET 2 OF 3

FIG 3

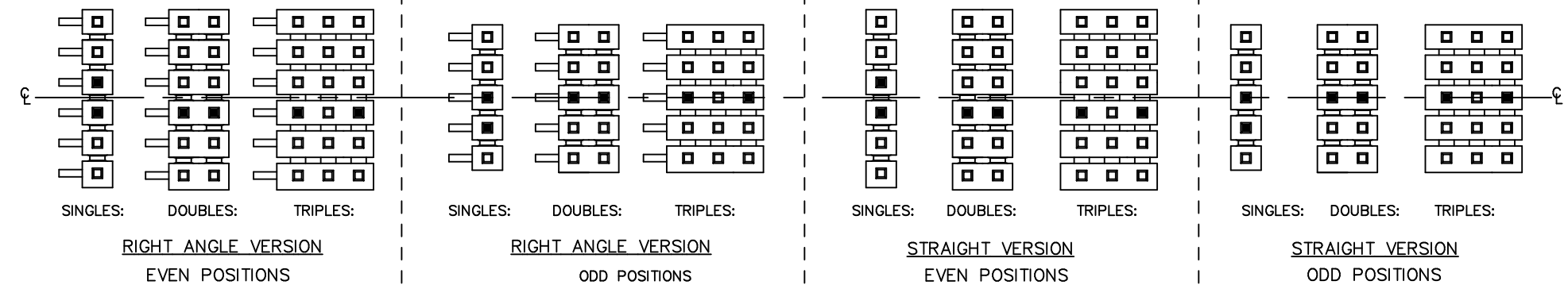


-1 = .100[2.54] TERMINAL SPACING



-2 = .200[5.08] TERMINAL SPACING

POLARIZATION  
 (STRAIGHT & RA VERSIONS)  
 FIG 2



LOCKING LEAD

■ = CRIMP LOCATION

FIG 1

**PROPRIETARY NOTE**  
 THIS DOCUMENT CONTAINS INFORMATION CONFIDENTIAL AND PROPRIETARY TO SAMTEC INC. AND SHALL NOT BE REPRODUCED OR TRANSFERRED TO OTHER DOCUMENTS OR DISCLOSED TO OTHERS OR USED FOR ANY PURPOSE OTHER THAN THAT FOR WHICH IT WAS OBTAINED WITHOUT THE EXPRESSED WRITTEN CONSENT OF SAMTEC INC.



520 PARK EAST BLVD. NEW ALBANY, INDIANA 47150  
 PHONE (812) 944-6733 P.O. BOX 1147  
 CODE 55322

PLOT SCALE: 1=2

MADE BY:

MTSW-XXX-XX-X-XXXX-XX-XXX  
 SHEET 2 OF 3