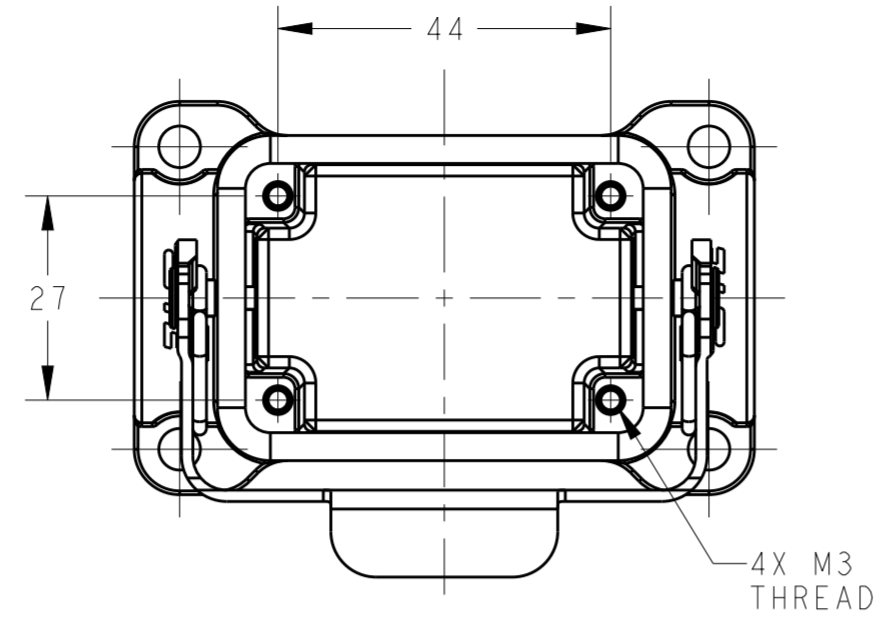


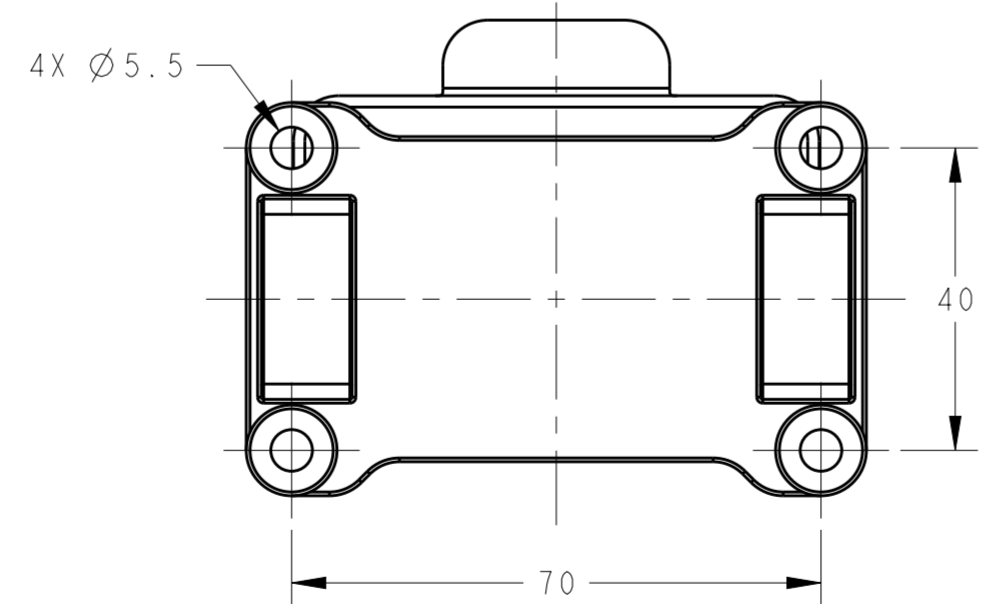
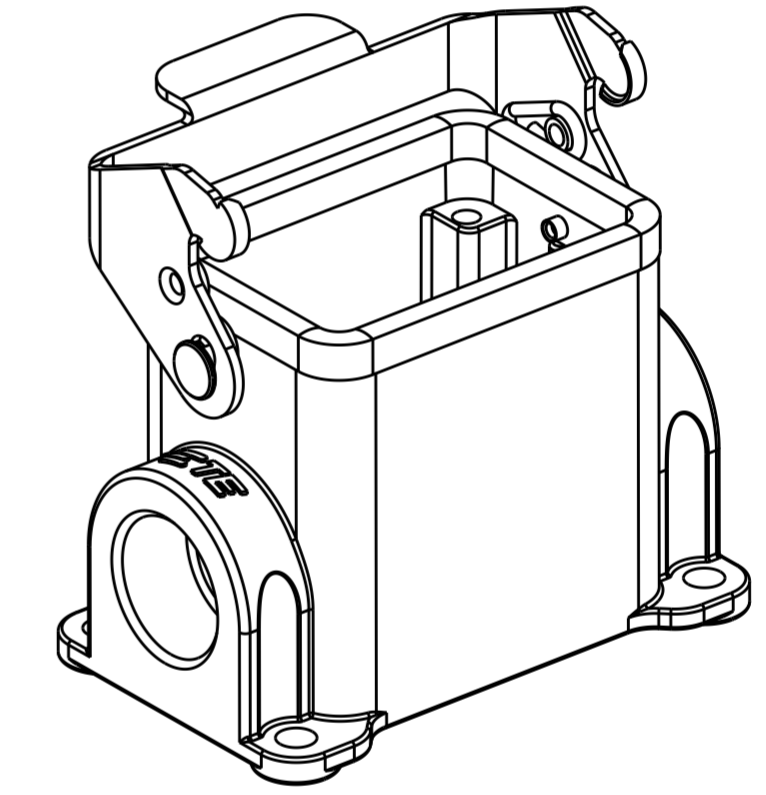
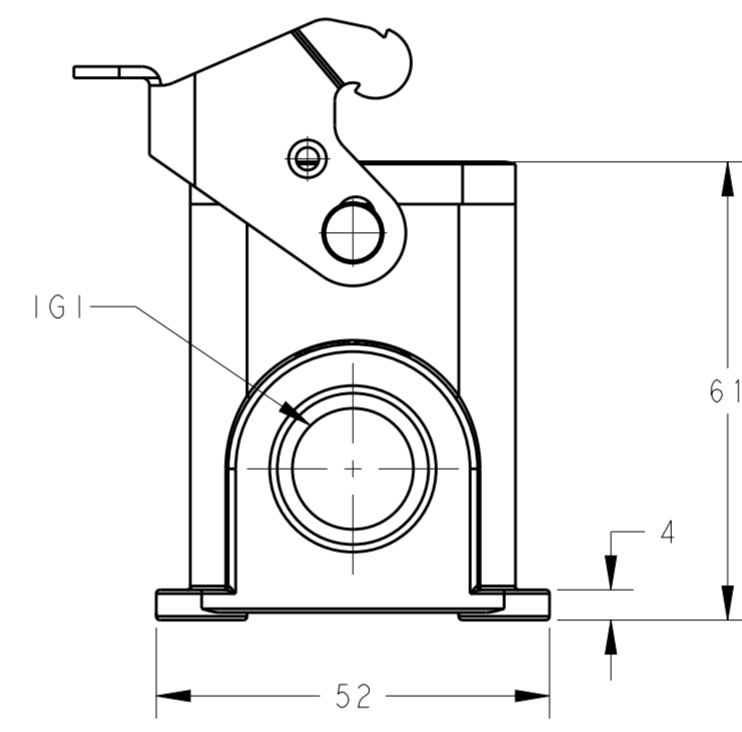
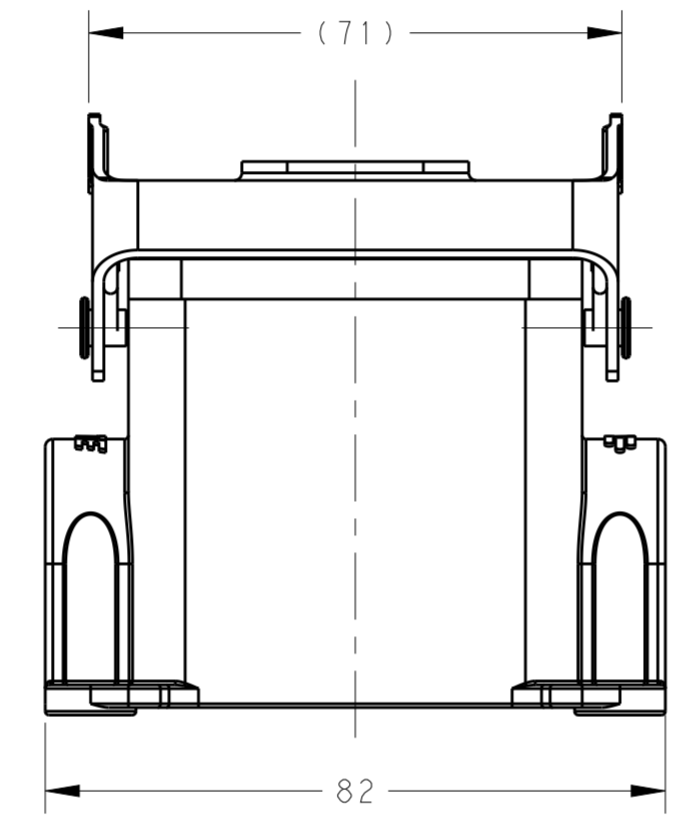
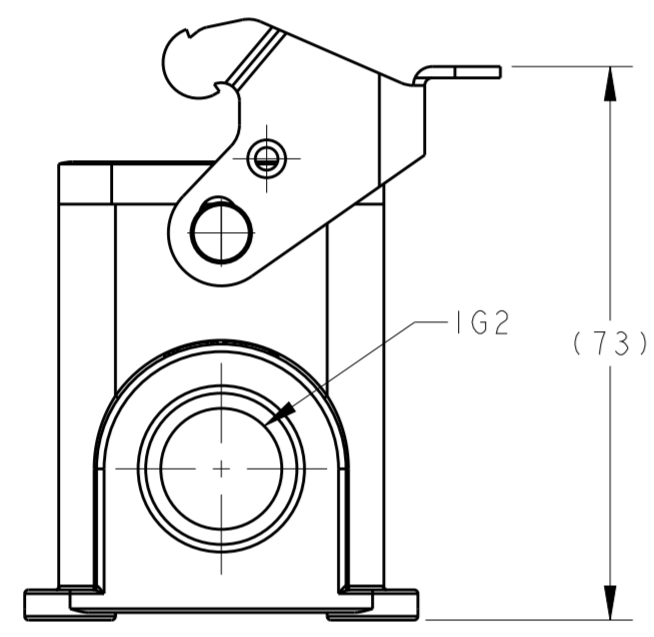
THIS DRAWING IS UNPUBLISHED. RELEASED FOR PUBLICATION 20
 © COPYRIGHT 20 BY - ALL RIGHTS RESERVED.

REVISIONS				
P	LTR	DESCRIPTION	DATE	APVD
	A	INITIAL	23JUN2015	DW CW



NOTES:
 1. TECHNICAL CHARACTERISTICS:
 HOUSING MATERIAL: DIE CAST ALUMINIUM ALLOY
 SURFACE: POWDER COATED, GREY
 OPERATION TEMPERATURE: -40-+125°C
 DEGREE OF PROTECTION: IP65 (MATED)

注释:
 1. 技术参数:
 外壳材料: 铝合金
 表面处理: 粉末涂层, 灰色
 工作温度: -40-+125°C
 防护等级: IP65(配合)



T1610063113-000	H6B-SGR-PG13.5	PG13.5	-
T1610063116-000	H6B-SGR-PG16	PG16	-
T1610063120-000	H6B-SGR-M20	M20	-
T1610063121-000	H6B-SGR-PG21	PG21	-
T1610063125-000	H6B-SGR-M25	M25	-
T1610063216-000	H6B-SGR-2PG16	PG16	PG16
T1610063220-000	H6B-SGR-2M20	M20	M20
T1610063225-000	H6B-SGR-2M25	M25	M25
T1610062516-000	H6B-SGR-M25/PG16	M25	PG16
T1610062520-000	H6B-SGR-M25/M20	M25	M20
	PART NUMBER	DESCRIPTION	IG1 IG2

THIS DRAWING IS A CONTROLLED DOCUMENT.		DWN 23JUN2015 David Wang	STE TE Connectivity	
		CHK 23JUN2015 Chris Wang		
		APVD 23JUN2015 Xiang Xu	NAME H6B-SGR-M/PG	
DIMENSIONS: mm		PRODUCT SPEC 108-137013	RESTRICTED TO	
TOLERANCES UNLESS OTHERWISE SPECIFIED:		APPLICATION SPEC 114-137013	SIZE A2	CAGE CODE 00779
MATERIAL -		WEIGHT -	DRAWING NO C-T161006XXXX000	
		Customer Drawing	SCALE 1:1	SHEET 1 OF 1 REV A