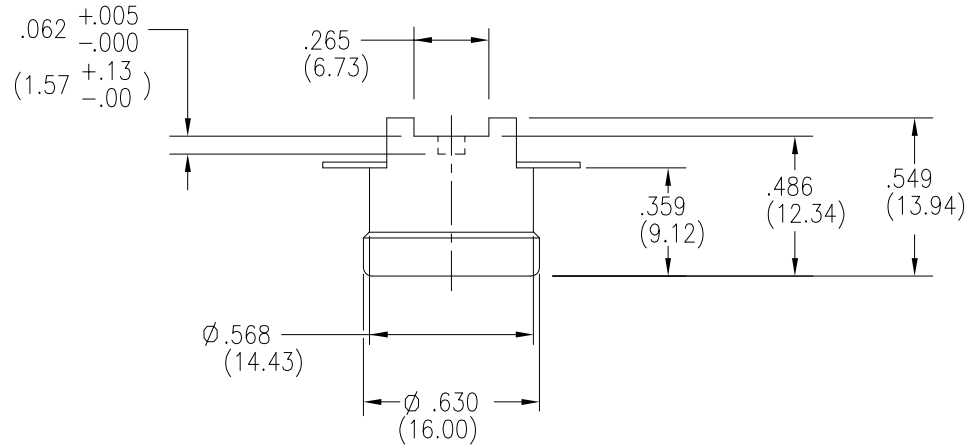
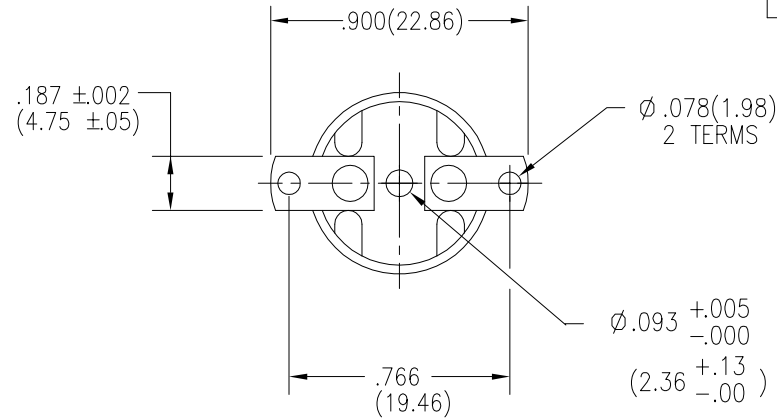


HONEYWELL
PART NUMBER

-

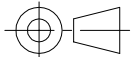
REV	DOCUMENT	CHANGED BY	CHECK
A	0042617	KVS 08SEP08	ASD



DESIGN UNITS: INCH (MM)
TOLERANCES UNLESS NOTED (MMS: ±.38)

NO PLACES	X	±	-
ONE PLACE	.X	±	-
TWO PLACE	.XX	±	-
THREE PLACE	.XXX	±	.015
ANGLES	X	±	-

THIRD ANGLE PROJECTION



DRAWN	DJD	13OCT89
CHECK	MEJ	13OCT89
THIS DRAWING COVERS A PROPRIETARY ITEM AND IS THE PROPERTY OF HONEYWELL. THIS DRAWING IS NOT TO BE COPIED OR USED WITHOUT THE PERMISSION OF HONEYWELL.		
INTERPRET PER ASME Y14.5M-1994 OTHER HONEYWELL ENGINEERING STANDARDS MAY APPLY		
AUTOCAD 2D		

Honeywell

TITLE					THERMOSTAT SPST				
SIZE	TYPE	CAGE CODE	DRAWING NAME		REV				
A	E	14604	2450HR1		A				
SCALE		2:1	SHEET		1 OF 2				