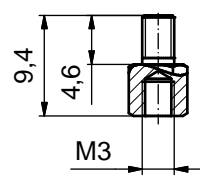
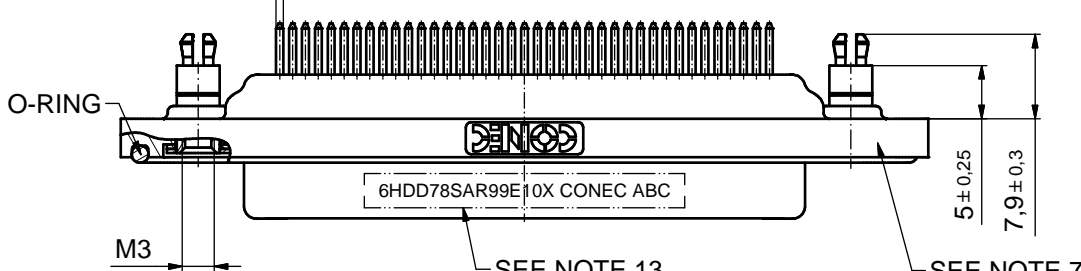
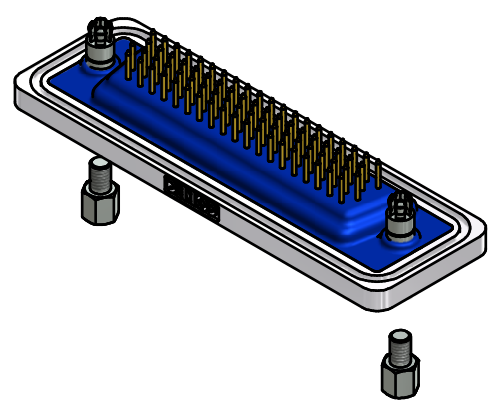
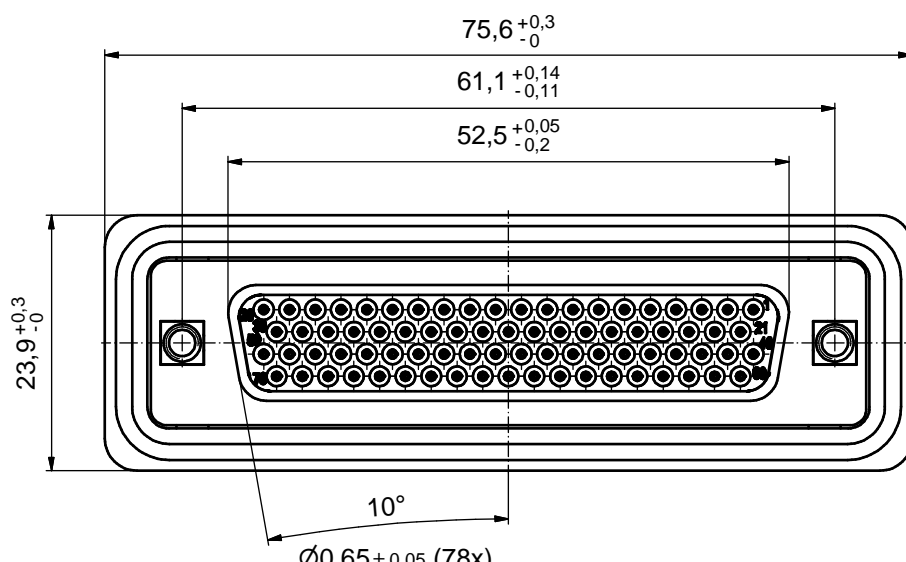
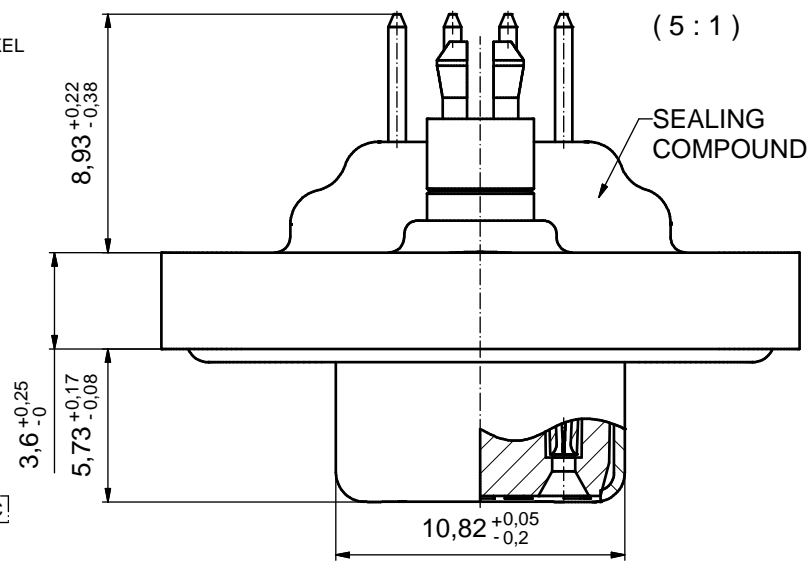
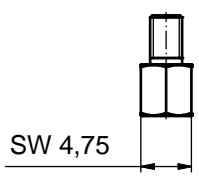


NOTES:

1. FOR WAVESOLDERING (SOLDER BATH TEMPERATURE 240°C FOR 5 SEC. AND SOLDER PREHEAT 120°C FOR 120 SEC.)
2. METALSHELLS: COPPER ALLOY; min. 315µm TIN over 40-80µm NICKEL
3. INSULATOR: PBT GF UL 94 V-0; BLACK
4. CONTACTS: COPPER ALLOY
PLATING: GOLD FLASH over NICKEL
5. THREADED SPACER CLIPS:
COPPER ALLOY; min. 200µm TIN over 80µm NICKEL
PCB-HOLE: $\varnothing 3,1 \pm 0,1$; PCB THICKNESS 1,6mm
6. COLLARS: COPPER ALLOY, min. 200µm TIN over 80µm NICKEL
7. FRAME: ZINC DIE CAST; NICKEL PLATED
8. O-RING: SILICON; BLUE
9. HEXLOCKING SCREWS: STAINLESS STEEL
10. SEALING COMPOUND: PUR; BLUE
11. P.C.B. HOLE DRILLINGS and
RECOMMENDED PANEL CUT-OUT ON SHEET 2
12. RECOMMENDED TORQUE FOR MOUNTING SCREW
35Ncm (3,1 in.LB) / max. 40Ncm (3,5 in.LB)
13. CONNECTOR IS PART MARKED: 6HDD78SAR99E10X CONEC ABC



AT ALL TIMES WATER RESISTANT CONNECTORS NOT IN USE SHOULD BE COVERED WITH A CONEC WATER RESISTANT CAP OR WATER TIGHT HOOD.



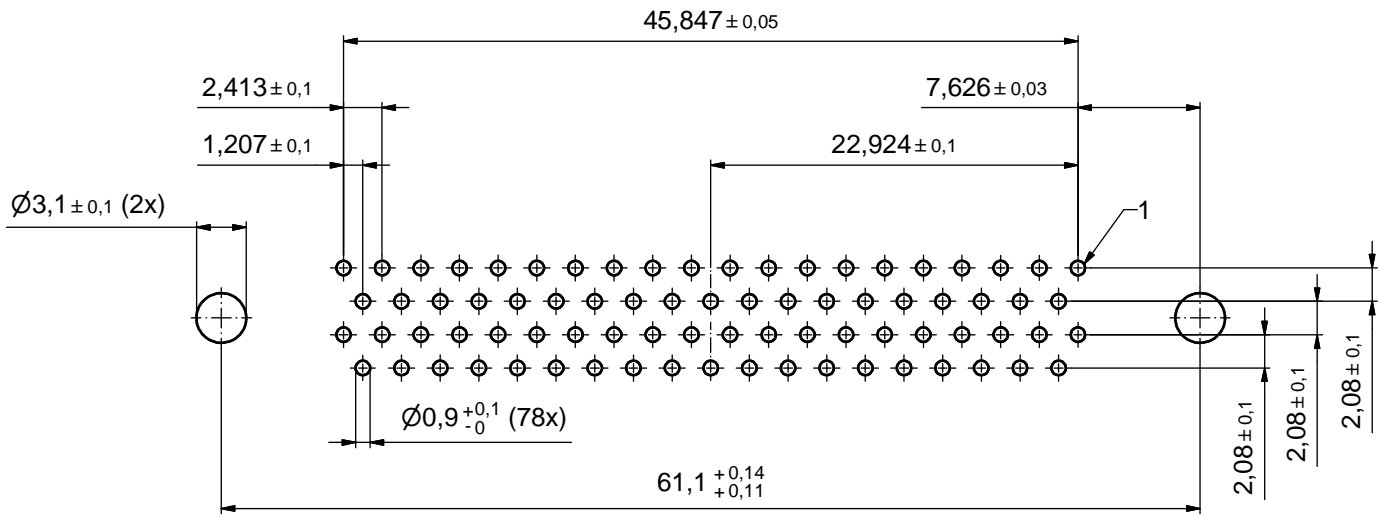
Directive 2002/95/EC RoHS compliant

THIS DRAWING MAY NOT BE COPIED OR REPRODUCED IN ANY WAY, AND MAY NOT BE PASSED ON TO A THIRD PARTY WITHOUT WRITTEN PERMISSION. OWNERSHIP AND COPYRIGHT OF CONEC GmbH DO NOT ALTER CAD DRAWING BY HAND	tolerance		dim. in mm		scale:	2:1 (5:1)
					material:	SEE NOTES
	drawn	26.01.12	Henneboel		title: D-SUB FEMALE HD 78pos. SOLDER PIN STRAIGHT with threaded spacer clip and hexlocking screw	
	appd.	26.01.12	Fischer			
	norm					
d-old						
rev.	a	Original			dwg no:	15K1A998
description						DIN-A3
date					part no:	6HDD78SAR99E10X
						sh: 1/2

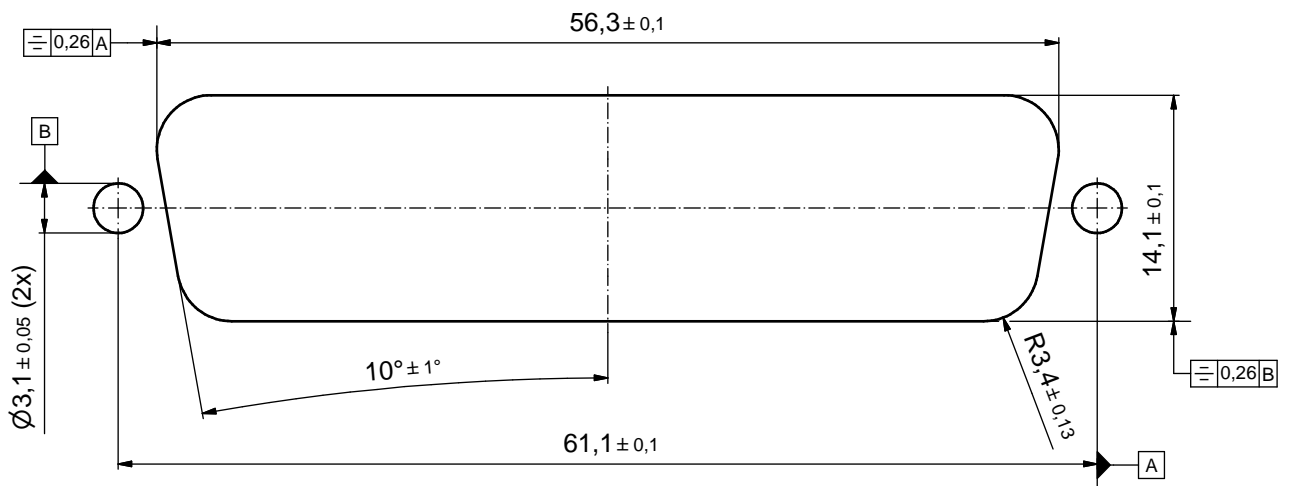


P.C.B. HOLE DRILLINGS

(P.C.B. TOP SIDE)



RECOMMENDED PANEL CUT-OUT



THIS DRAWING MAY NOT BE COPIED OR REPRODUCED IN ANY WAY, AND MAY NOT BE PASSED ON TO A THIRD PARTY WITHOUT WRITTEN PERMISSION. OWNERSHIP AND COPYRIGHT OF CONEC GmbH DO NOT ALTER CAD DRAWING BY HAND				tolerance		scale: 3:1
				dim. in mm		material: see sheet1
	drawn	26.01.12	Henneboel	title:		
	appd.	26.01.12	Fischer	P.C.B. HOLE DRILLINGS		
	norm			PANEL CUT-OUT		
d-old			D-SUB Female HD 78pos. Solder pin straight			
rev.	a	Original				dwg no: 15K1A998
description						DIN-A3
date			part no: SEE SHEET 1			sh: 2/2
name						