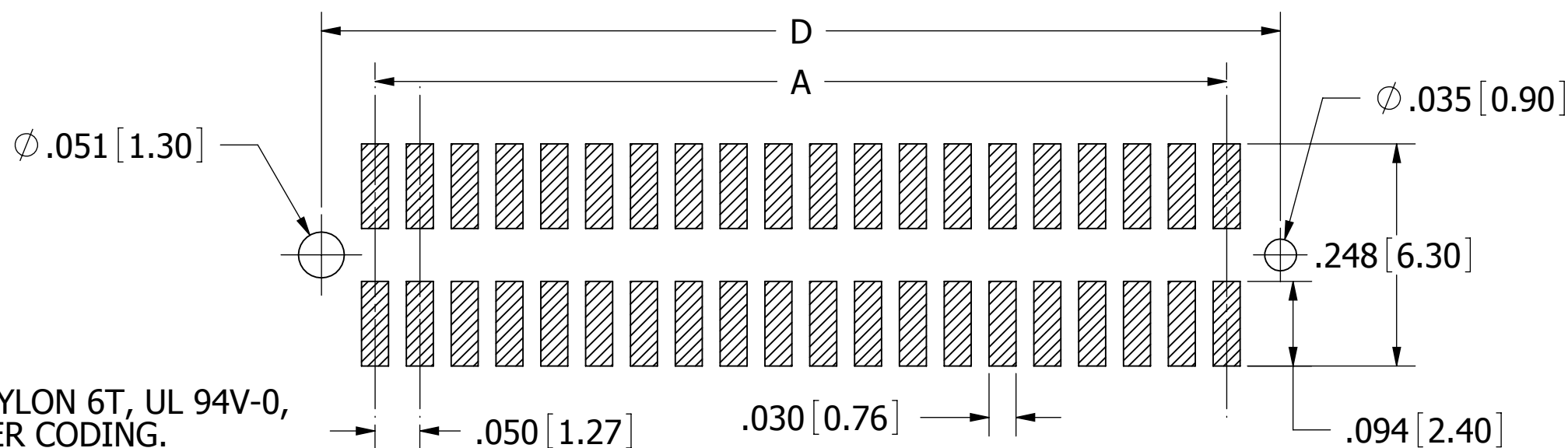
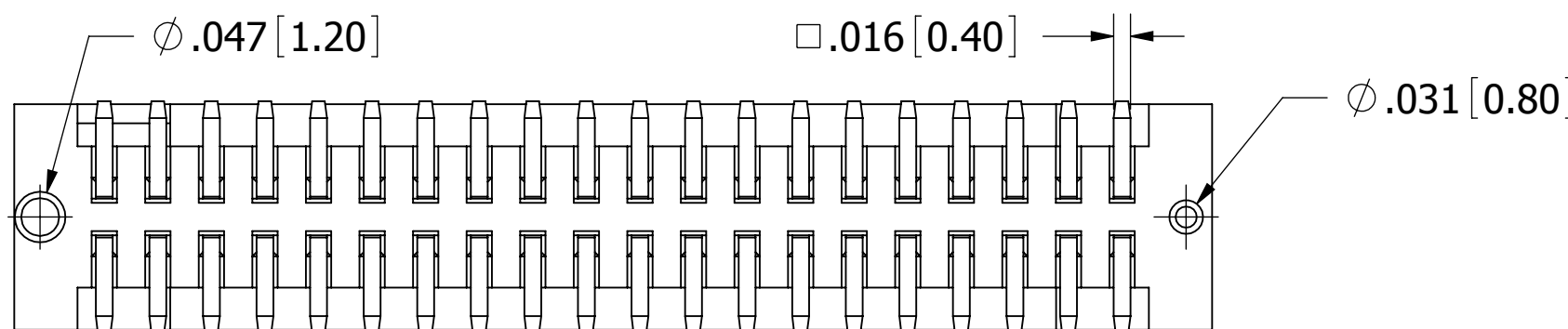
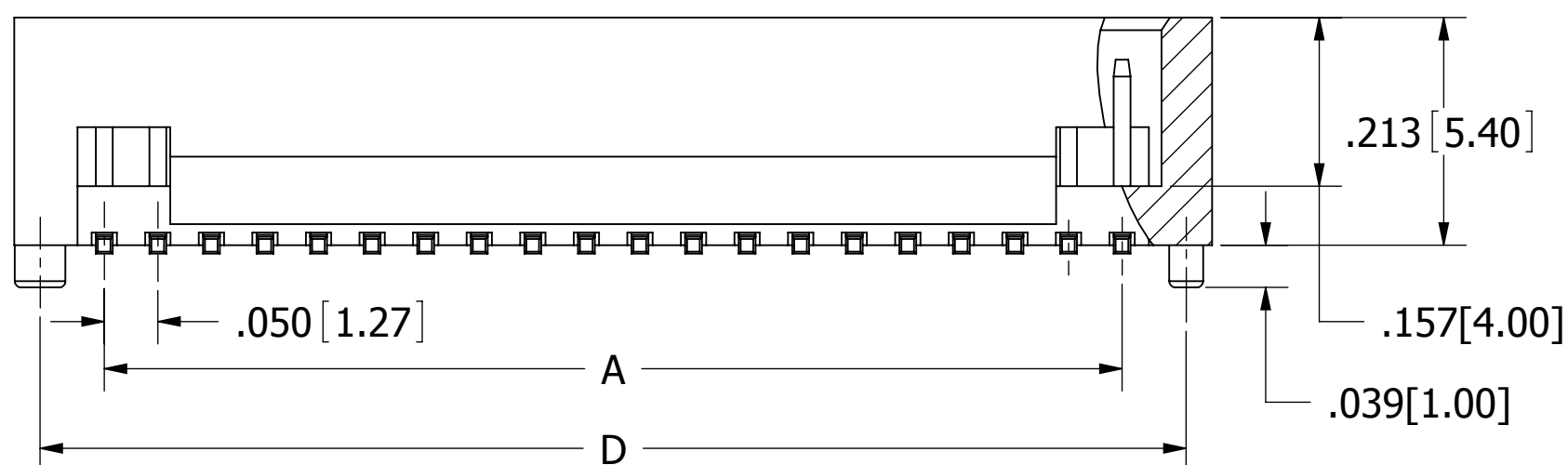
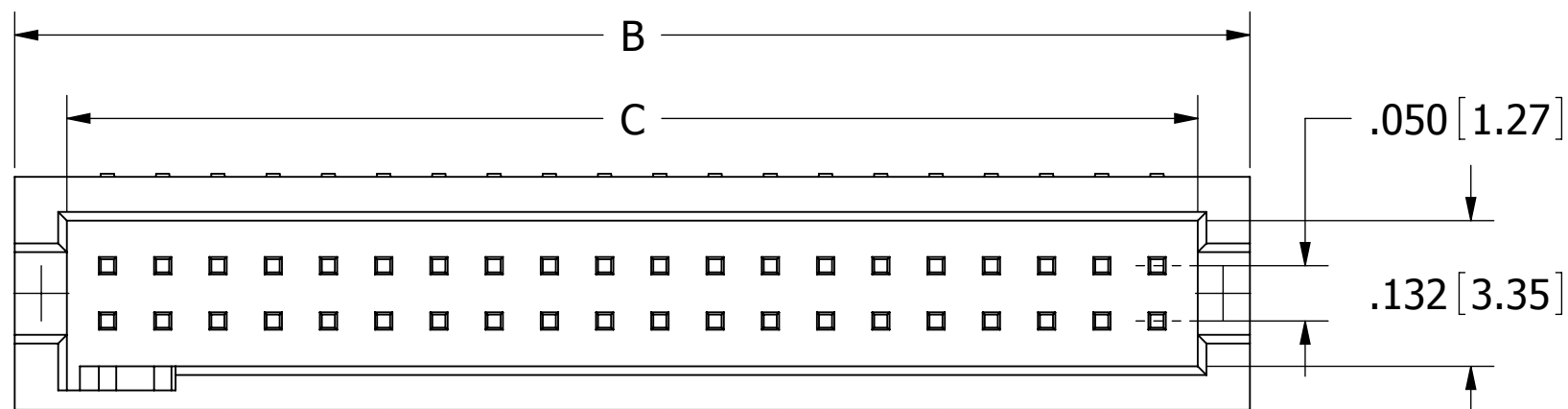
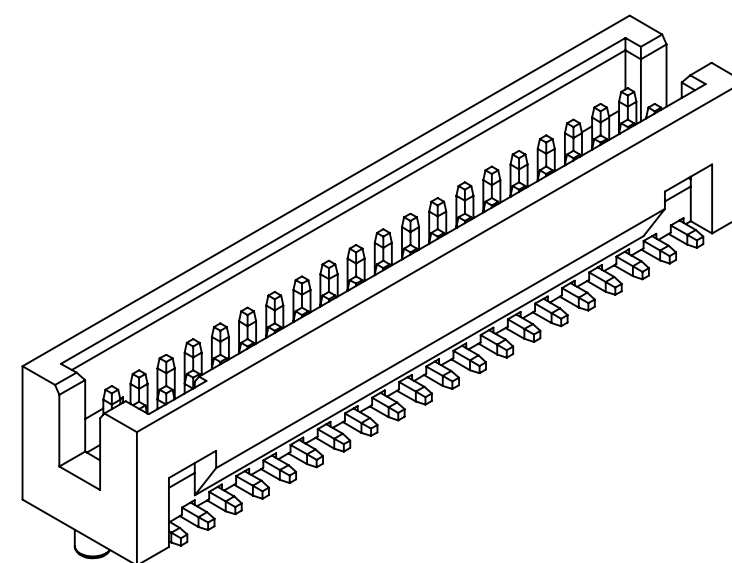


**PART NUMBER CODING**  
SBH31-NBPB-D -SP-

**NUMBER OF POSITIONS**  
(CONTACTS PER ROW)

**COLOR**  
BK=BLACK  
YE=YELLOW  
RE=RED  
BL=BLUE  
GR=GREEN  
GY=GREY  
WH=WHITE  
OR=ORANGE

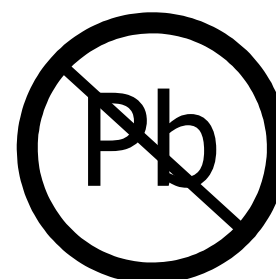
**TERMINATION**  
SURFACE MOUNT W/ PEGS



**NOTES:**

1. INSULATOR MATERIAL: NYLON 6T, UL 94V-0, COLOR: SEE PART NUMBER CODING.
2. CONTACT MATERIAL: BRASS.
3. CONTACT PLATING: GOLD FLASH OVERALL.
4. CURRENT RATING: 1 AMP PER CONTACT.
5. INSULATOR RESISTANCE: 1000 MEGOHMS MIN.
6. CONTACT RESISTANCE: 20 MILLIOHMS MAX.
7. DIELECTRIC WITHSTANDING: 500 V AC.
8. OPERATING TEMPERATURE: -40° C TO + 85° C.
9. PROCESSING TEMP.: 230° C FOR 60 SECONDS MAX. (260° C, 10 SEC.)
10. MATES WITH SFH31 FEMALE HEADER SERIES.

**RECOMMENDED PCB LAYOUT**



RoHS COMPLIANT

REVISIONS

REV.	ECO. NO	DESCRIPTION	DATE	BY
B	1852	ADD RS DIM .050[1.27], UPDATE NOTE 3 & TOLERANCE BLOCK	11/12/2008	JH
C	2085	CORRECT TEXT TO 'D' ON PCB, ADD MATING DIM .157[4.00]	12/01/2009	JH
D	2106	ADD BOX INSIDE DEPTH 4.0mm, NOTE 10, MATED COMPONENTS & HEIGHT ON SHEET 2 & UPDATE AVAILABLE POSITION NUMBERS.	04/22/2010	LH

PART NUMBER	POSITIONS/ CONTACTS	A		B		C		D	
		INCH	MM	INCH	MM	INCH	MM	INCH	MM
SBH31-NBPB-D03-SP-	03/06	0.100	2.54	0.268	6.81	0.174	4.41	0.220	5.58
SBH31-NBPB-D04-SP-	04/08	0.150	3.81	0.318	8.08	0.224	5.68	0.270	6.85
SBH31-NBPB-D05-SP-	05/10	0.200	5.08	0.368	9.35	0.274	6.95	0.320	8.12
SBH31-NBPB-D06-SP-	06/12	0.250	6.35	0.418	10.62	0.324	8.22	0.370	9.39
SBH31-NBPB-D07-SP-	07/14	0.300	7.62	0.468	11.89	0.374	9.49	0.420	10.66
SBH31-NBPB-D08-SP-	08/16	0.350	8.89	0.518	13.16	0.424	10.76	0.470	11.93
SBH31-NBPB-D09-SP-	09/18	0.400	10.16	0.568	14.43	0.474	12.03	0.520	13.20
SBH31-NBPB-D10-SP-	10/20	0.450	11.43	0.618	15.70	0.524	13.30	0.570	14.47
SBH31-NBPB-D11-SP-	11/22	0.500	12.70	0.668	16.97	0.574	14.57	0.620	15.74
SBH31-NBPB-D12-SP-	12/24	0.550	13.97	0.718	18.24	0.624	15.84	0.670	17.01
SBH31-NBPB-D13-SP-	13/26	0.600	15.24	0.768	19.51	0.674	17.11	0.720	18.28
SBH31-NBPB-D14-SP-	14/28	0.650	16.51	0.818	20.78	0.724	18.38	0.770	19.55
SBH31-NBPB-D15-SP-	15/30	0.700	17.78	0.868	22.05	0.774	19.65	0.820	20.82
SBH31-NBPB-D16-SP-	16/32	0.750	19.05	0.918	23.32	0.824	20.92	0.870	22.09
SBH31-NBPB-D17-SP-	17/34	0.800	20.32	0.968	24.59	0.874	22.19	0.920	23.36
SBH31-NBPB-D18-SP-	18/36	0.850	21.59	1.018	25.86	0.924	23.46	0.970	24.63
SBH31-NBPB-D19-SP-	19/38	0.900	22.86	1.068	27.13	0.974	24.73	1.020	25.90
SBH31-NBPB-D20-SP-	20/40	0.950	24.13	1.118	28.40	1.024	26.00	1.070	27.17
SBH31-NBPB-D21-SP-	21/42	1.000	25.40	1.168	29.67	1.074	27.27	1.120	28.44
SBH31-NBPB-D22-SP-	22/44	1.050	26.67	1.218	30.94	1.124	28.54	1.170	29.71
SBH31-NBPB-D23-SP-	23/46	1.100	27.94	1.268	32.21	1.174	29.81	1.220	30.98
SBH31-NBPB-D24-SP-	24/48	1.150	29.21	1.318	33.48	1.224	31.08	1.270	32.25
SBH31-NBPB-D25-SP-	25/50	1.200	30.48	1.368	34.75	1.274	32.35	1.320	33.52
SBH31-NBPB-D26-SP-	26/52	1.250	31.75	1.418	36.02	1.324	33.62	1.370	34.79
SBH31-NBPB-D27-SP-	27/54	1.300	33.02	1.468	37.29	1.374	34.89	1.420	36.06
SBH31-NBPB-D28-SP-	28/56	1.350	34.29	1.518	38.56	1.424	36.16	1.470	37.33
SBH31-NBPB-D29-SP-	29/58	1.400	35.56	1.568	39.83	1.474	37.43	1.520	38.60
SBH31-NBPB-D30-SP-	30/60	1.450	36.83	1.618	41.10	1.524	38.70	1.570	39.87
SBH31-NBPB-D31-SP-	31/62	1.500	38.10	1.668	42.37	1.574	39.97	1.620	41.14
SBH31-NBPB-D32-SP-	32/64	1.550	39.37	1.718	43.64	1.624	41.24	1.670	42.41
SBH31-NBPB-D33-SP-	33/66	1.600	40.64	1.768	44.91	1.674	42.51	1.720	43.68
SBH31-NBPB-D34-SP-	34/68	1.650	41.91	1.818	46.18	1.724	43.78	1.770	44.95
SBH31-NBPB-D35-SP-	35/70	1.700	43.18	1.868	47.45	1.774	45.05	1.820	46.22
SBH31-NBPB-D36-SP-	36/72	1.750	44.45	1.918	48.72	1.824	46.32	1.870	47.49
SBH31-NBPB-D37-SP-	37/74	1.800	45.72	1.968	49.99	1.874	47.59	1.920	48.76
SBH31-NBPB-D38-SP-	38/76	1.850	46.99	2.018	51.26	1.924	48.86	1.970	50.03
SBH31-NBPB-D39-SP-	39/78	1.900	48.26	2.068	52.53	1.974	50.13	2.020	51.30
SBH31-NBPB-D40-SP-	40/80	1.950	49.53	2.118	53.80	2.024	51.40	2.070	52.57
SBH31-NBPB-D41-SP-	41/82	2.000	50.80	2.168	55.07	2.074	52.67	2.120	53.84
SBH31-NBPB-D42-SP-	42/84	2.050	52.07	2.218	56.34	2.124	53.94	2.170	55.11
SBH31-NBPB-D43-SP-	43/86	2.100	53.34	2.268	57.61	2.174	55.21	2.220	56.38
SBH31-NBPB-D44-SP-	44/88	2.150	54.61	2.318	58.88	2.224	56.48	2.270	57.65
SBH31-NBPB-D45-SP-	45/90	2.200	55.88	2.368	60.15	2.274	57.75	2.320	58.92
SBH31-NBPB-D46-SP-	46/92	2.250	57.15	2.418	61.42	2.324	59.02	2.370	60.19
SBH31-NBPB-D47-SP-	47/94	2.300	58.42	2.468	62.69	2.374	60.29	2.420	61.46
SBH31-NBPB-D48-SP-	48/96	2.350	59.69	2.518	63.96	2.424	61.56	2.470	62.73
SBH31-NBPB-D49-SP-	49/98	2.400	60.96	2.568	65.23	2.474	62.83	2.520	64.00
SBH31-NBPB-D50-SP-	50/100	2.450	62.23	2.618	66.50	2.524	64.10	2.570	65.27

UNLESS OTHERWISE SPECIFIED:  
DIMENSIONS ARE IN INCHES[MM]  
TOLERANCES:  
ANGULAR: ± 1°  
.XX=± .012 [0.30]  
.XXX=± .008 [0.20]  
.XXXX=± .0004 [0.10]  
SURFACE FINISH: 63 R<sub>a</sub>  
REMOVE ALL BURRS AND SHARP EDGES .010 MAX

INTERPRET DIMENSIONS AND GEOMETRIC TOLERANCING PER: ANSI Y14.5M-1994

DRAWN 04/22/2010 LH  
DATE NAME  
THE INFORMATION HEREIN CONTAINS PROPRIETARY INFORMATION OF SULLINS ELECTRONICS AND IS NOT TO BE REPRODUCED, USED OR DISCLOSED TO OTHERS FOR ANY PURPOSE EXCEPT AS SPECIFICALLY AUTHORIZED IN WRITING BY AN OFFICER OF SULLINS ELECTRONICS.

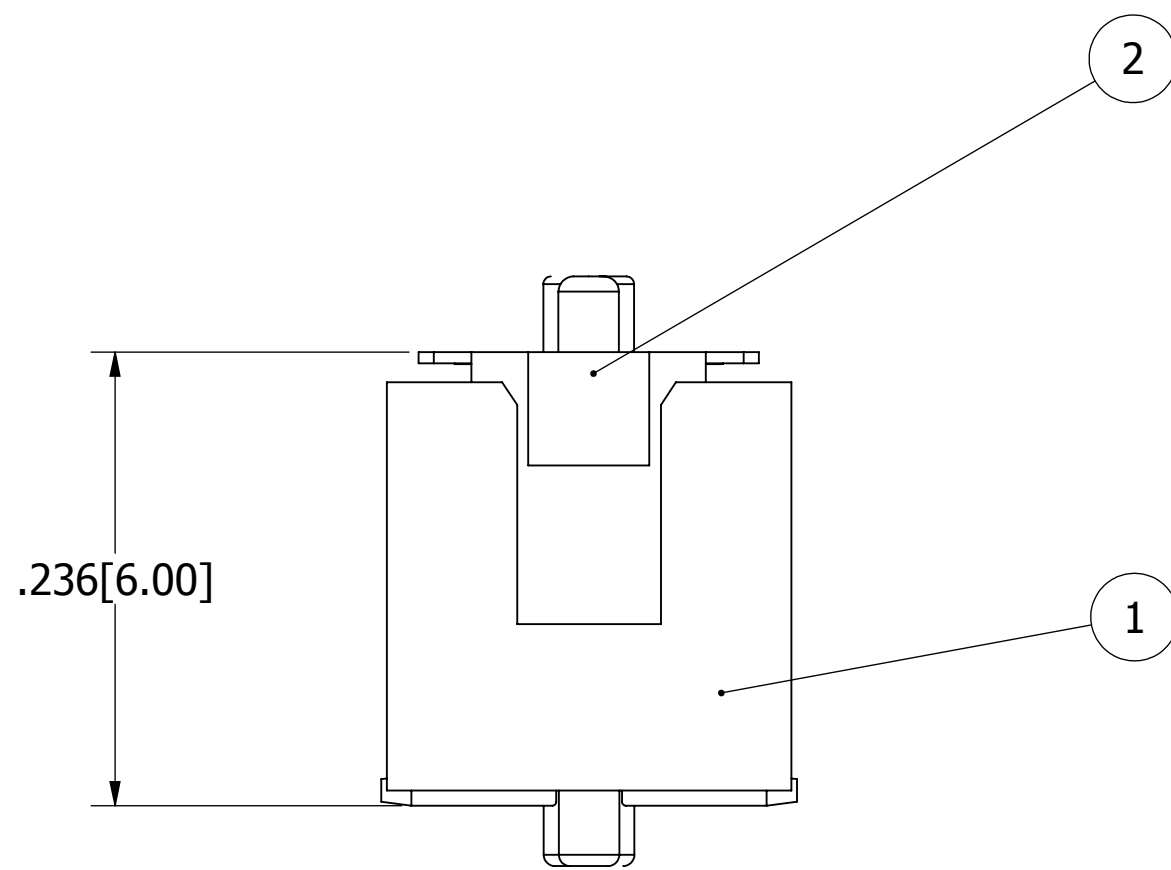
**SULLINS**  
CONNECTOR SOLUTIONS

DESCRIPTION  
BOX HEADER, .050[1.27] CC/RS, SP

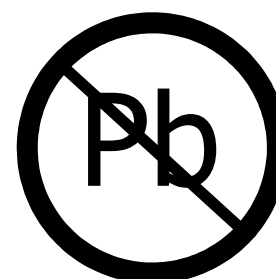
PART NUMBER  
**SBH31-NBPB-D -SP-**

SIZE DWG. NO. REV  
**C** 11100 D

SCALE: 8:1 SHEET 1 OF 2



<b>ITEM 1</b>	<b>SBH31-NBPB-D__-SP-__</b>
<b>ITEM 2</b> (MATES)	<b>SFH31-NP_B-D__-SP-__</b> ( with polarizing key )



**RoHS COMPLIANT**

UNLESS OTHERWISE SPECIFIED:  
 DIMENSIONS ARE IN INCHES[MM]  
 TOLERANCES:  
 ANGULAR: ± 1°  
 .XX=± .012 [0.30]  
 .XXX=± .008 [0.20]  
 .XXX=± .0004 [0.10]  
 SURFACE FINISH: 63 R<sub>a</sub>  
 REMOVE ALL BURRS AND SHARP EDGES .010 MAX

INTERPRET DIMENSIONS AND GEOMETRIC TOLERANCING PER: ANSI Y14.5M-1994

DRAWN	DATE	NAME
LH	04/22/2010	LH

THE INFORMATION HEREIN CONTAINS PROPRIETARY INFORMATION OF SULLINS ELECTRONICS AND IS NOT TO BE REPRODUCED, USED OR DISCLOSED TO OTHERS FOR ANY PURPOSE EXCEPT AS SPECIFICALLY AUTHORIZED IN WRITING BY AN OFFICER OF SULLINS ELECTRONICS.

<b>SULLINS</b> CONNECTOR SOLUTIONS		
DESCRIPTION BOX HEADER, .050[1.27] CC/RS, SP		
PART NUMBER <b>SBH31-NBPB-D__-SP-__</b>		
SIZE	DWG. NO.	REV
<b>C</b>	11100	<b>D</b>
SCALE: 2:1		SHEET 2 OF 2