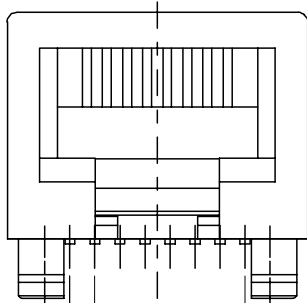
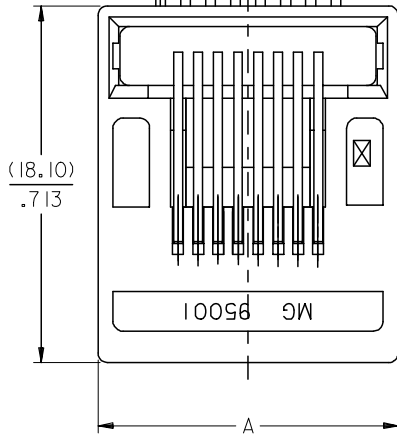


### 6 & 8 VERSIONS

8 VERSION SHOWN

CIRCUIT 1  
(8 CKTS VERSION)

CIRCUIT 1  
(6 CKTS VERSION)



$\equiv (\varnothing .10) / .004 Y$

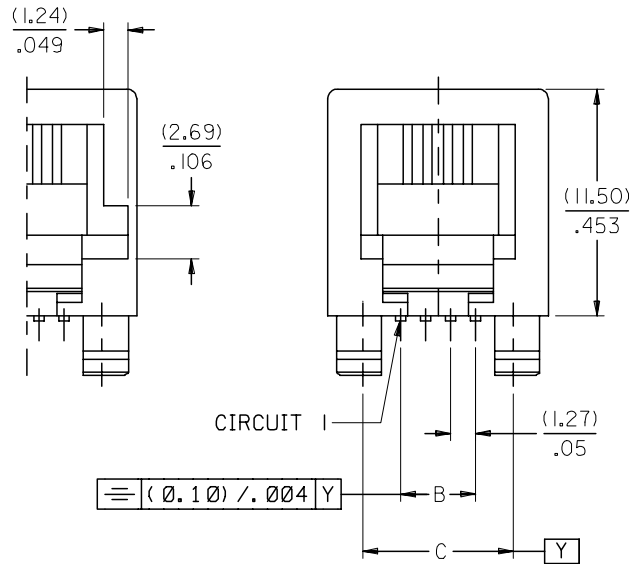
### NOTES :

#### 1- MATERIAL:

-HOUSING: POLYAMIDE 4/6 FIBER GLASS FILLED UL 94-V0,  
COLOR GREY.  
SPECIAL VERSION COLOR BLACK

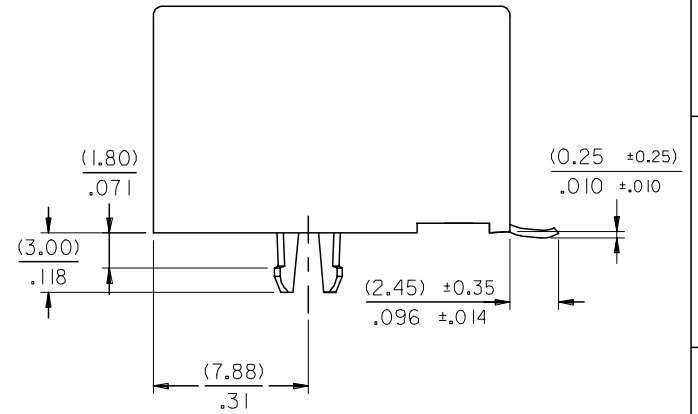
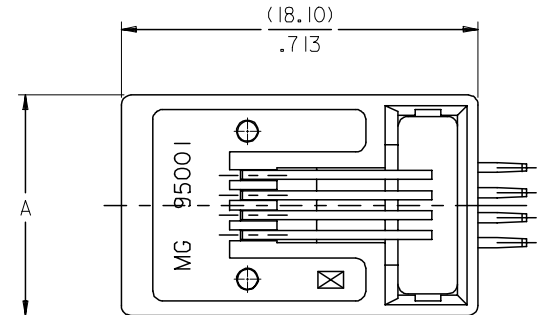
2- SEE OTHER NOTES SHEET 1

### OPTIONAL KEYING



$\equiv (\varnothing .10) / .004 Y$

### 4 VERSION ONLY



|  |                               |                                       |                       |                 |            |              |  |           |
|--|-------------------------------|---------------------------------------|-----------------------|-----------------|------------|--------------|--|-----------|
| EC NO: MG2005-0106<br>2004/10/12<br>DRAWN: MARTIN<br>2004/10/12<br>CHKD: FCARABET<br>2004/10/12<br>APPR: KNOLLER<br>2004/10/13 | QUALITY SYMBOLS<br>▽=0<br>▽=0 | GENERAL TOLERANCES (UNLESS SPECIFIED) |                       | DIMENSION STYLE | SCALE      | DESIGN UNITS | THIRD ANGLE PROJECTION   |           |
|  |                               | 4 PLACES ± --- ± ---                  | 3 PLACES ± --- ± .006 | MM/IN           | 4:1        | METRIC       | R/A LOW PROFILE<br>PC JACK 4,6,8 CKTS SIZE<br>SMT VERSION  |           |
| REV  | DESCRIPTION                   | 2 PLACES ± 0.15 ± .010                | 1 PLACE ± 0.25 ± ---  | DRAWN BY        | DATE       | TITLE        | MOLEX INCORPORATED   |           |
|  |                               | ANGULAR ± ---°                        |                       | FB              | 1993/02/24 | ER           | 1993/02/24   | SDA-95001 |
| DRAFT WHERE APPLICABLE<br>MUST REMAIN<br>WITHIN DIMENSIONS   |                               | SEE CHART SHEETS 4,5&6                |                       | MATERIAL NO.    | DATE       | DOCUMENT NO. | THIS DRAWING CONTAINS INFORMATION THAT IS PROPRIETARY TO MOLEX<br>INCORPORATED AND SHOULD NOT BE USED WITHOUT WRITTEN PERMISSION |           |
|  |                               |                                       |                       | SIZE            |            |              |  |           |

# SPECIAL PACKAGING TUBE, SEE PACKAGING SPEC PK95001 SHEET 3

PART NO FOR JACK ASSEMBLY  
STANDARD VERSION

PART NO FOR JACK ASSEMBLY  
S.M.T. VERSION

| HOUSING SIZE | LOADED CONTACTS | PLATING | POLYESTER FIBER GLASS FILED 94V0, COLOR BLACK. |        |            |        |        |        | POLYAMIDE 4/6 FIBER GLASS FILED 94V0<br>COLOR GREY |            |            |            |            |            | SPECIAL VERSION |        |                           |        |  |
|--------------|-----------------|---------|--|--------|------------|--------|--------|--------|--|------------|------------|------------|------------|------------|-----------------|--------|---------------------------|--------|--|
|              |                 |         | NO KEY   |        | KEY        |        | TOOLED | TOOLED | NO KEY   |            | KEY        |            | NOT KEY    |            | TOOLED          | TOOLED | POLYESTER BLACK LOW TEMP. |        |  |
|              |                 |         | NOT RIBBED                                     | TOOLED | NOT RIBBED | TOOLED |        |        | NOT RIBBED   | TOOLED     | NOT RIBBED | TOOLED     | NOT RIBBED | TOOLED     |                 |        | NOT RIBBED                | TOOLED |  |
| 4            | 4               | 2       | 95001-2401                                     | X      | 95001-2402 |        |        |        |  | 95001-6441 | X          | 95001-6442 | 95001-6449 | X          |                 |        |                           |        |  |
|              |                 | 7       | 95001-4401                                     | X      |            |        |        |        |  |            |            |            |            |            |                 |        |                           |        |  |
| 6            | 4               | 2       | 95001-2601                                     | X      | 95001-2602 |        |        |        |  | 95001-6641 | X          | 95001-6642 | 95001-6649 | X          |                 |        |                           |        |  |
|              |                 |         |  |        |            |        |        |        |  |            |            |            |            |            |                 |        |                           |        |  |
| 6            | 6               | 2       | 95001-2611                                     | X      | 95001-2612 |        |        |        |  | 95001-6661 | X          | 95001-6662 | 95001-6669 | X          |                 |        |                           |        |  |
|              |                 | 7       | 95001-4611                                     | X      |            |        |        |        |  |            |            |            |            |            |                 |        |                           |        |  |
| 8            | 4               | 2       | 95001-2801                                     |        | 95001-2802 |        |        |        |  | 95001-6841 |            | 95001-6842 | 95001-6849 |            |                 |        | 95001-2843                | X      |  |
|              |                 |         |  |        |            |        |        |        |  |            |            |            |            |            |                 |        |                           |        |  |
| 8            | 6               | 2       | 95001-2811                                     | X      | 95001-2812 |        |        |        |  | 95001-6861 | X          | 95001-6862 | 95001-6869 | X          |                 |        | 95001-2863                | X      |  |
|              |                 |         |  |        |            |        |        |        |  |            |            |            |            |            |                 |        |                           |        |  |
| 8            | 8               | 2       | 95001-2821                                     | X      | 95001-2822 | X      |        |        |  | 95001-6881 | X          | 95001-6882 | X          | 95001-6889 | X               |        |                           |        |  |
|              |                 |         |  |        |            |        |        |        |  |            |            |            |            |            |                 |        |                           |        |  |

|   |                               |  |      |                            |              |   |                        |                        |  |  |
|---|-------------------------------|--|------|----------------------------|--------------|---|------------------------|------------------------|--|--|
| EC NO: MG2005-0106<br>DRAWN: MARTIN 2004/10/12<br>CHKD: FCARABET 2004/10/12<br>APPR: KNOLLER 2004/10/13 | QUALITY SYMBOLS<br>▽=0<br>▽=0 | GENERAL TOLERANCES (UNLESS SPECIFIED)                |      | DIMENSION STYLE<br>MM ONLY | SCALE<br>--- | DESIGN UNITS<br>METRIC  | THIRD ANGLE PROJECTION |                        |  |  |
|   |                               |  |      | mm                         | INCH         |   |                        |                        |  |  |
|   |                               | 4 PLACES   | ±--- | ±---                       |              |   |                        |                        |  |  |
|   |                               | 3 PLACES   | ±--- | ±---                       |              |   |                        |                        |  |  |
|   |                               | 2 PLACES   | ±--- | ±---                       |              |   |                        |                        |  |  |
|   |                               | 1 PLACE  | ±--- | ±---                       |              |   |                        |                        |  |  |
|   |                               | ANGULAR ±---°  |      |                            |              |   |                        |                        |  |  |
|   |                               | DRAFT WHERE APPLICABLE MUST REMAIN WITHIN DIMENSIONS |      | SEE CHART                  |              | MOLEX INCORPORATED  |                        |                        |  |  |
|   |                               |  |      | MATERIAL NO. JB            |              | DATE 1993/10/05   |                        | DOCUMENT NO. SDA-95001 |  |  |
|   |                               |  |      | SIZE A3                    |              | THIS DRAWING CONTAINS INFORMATION THAT IS PROPRIETARY TO MOLEX INCORPORATED AND SHOULD NOT BE USED WITHOUT WRITTEN PERMISSION |                        | SHEET NO. 6 OF 9       |  |  |