

4

3

2

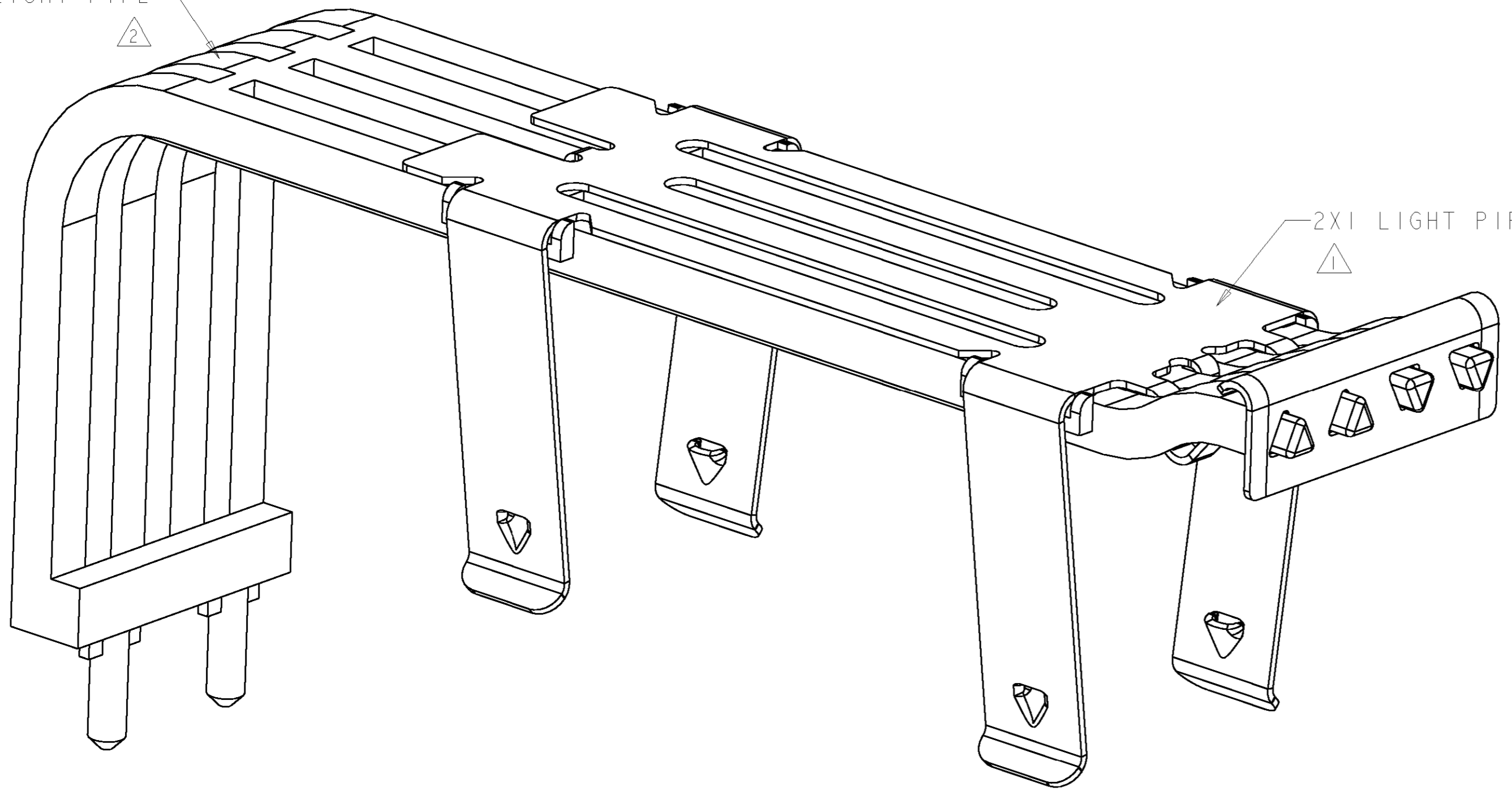
1

THIS DRAWING IS UNPUBLISHED. RELEASED FOR PUBLICATION 2006
 © COPYRIGHT 2006 BY TYCO ELECTRONICS CORPORATION. ALL RIGHTS RESERVED.

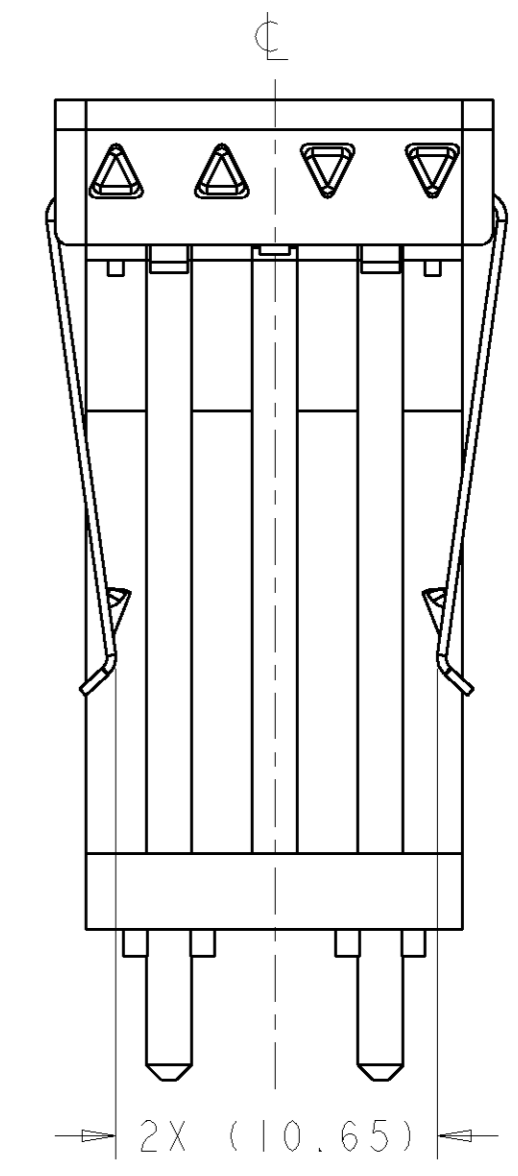
LOC	DIST	REVISIONS					
GP	00	P	LTR	DESCRIPTION	DATE	DWN	APVD
		01		INITIAL RELEASE FOR CUSTOMER REVIEW	19FEB2004	MEC	RRH
		A		REVISED PER ECO-06-028435	11DEC06	BM	JK

- ① STAINLESS STEEL
- ② POLYCARBONATE, CLEAR

2X1 LIGHT PIPE



2X1 LIGHT PIPE CLAMP



1658862-1
SCALE 6:1

1658862-1
PART NUMBER

<small>THIS DRAWING IS A CONTROLLED DOCUMENT FOR TYCO ELECTRONICS CORPORATION. IT IS SUBJECT TO CHANGE AND THE CONTROLLING ENGINEERING ORGANIZATION SHOULD BE CONTACTED FOR THE LATEST REVISION.</small>		DWN M.E. COWHER 19FEB2004 CHK R.R. HENRY 19FEB2004 APVD R.R. HENRY 19FEB2004	tyco Tyco Electronics Electronics Harrisburg, PA 17105-3608
DIMENSIONS: mm 	TOLERANCES UNLESS OTHERWISE SPECIFIED: 0 PLC ± 1 PLC ± 2 PLC ± 3 PLC ± 4 PLC ± ANGLES ± FINISH	PRODUCT SPEC - APPLICATION SPEC - WEIGHT -	NAME 2X1 LIGHT PIPE KIT, STACKED SFP SIZE A2 CAGE CODE 00779 DRAWING NO. 1658862 RESTRICTED TO -
SEE NOTES	SEE NOTES	CUSTOMER DRAWING	SCALE 4:1 SHEET 1 OF 1 REV A