

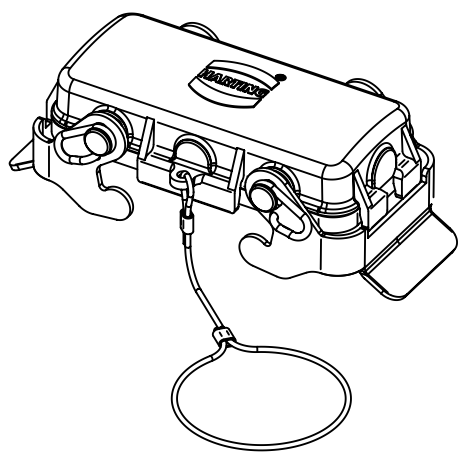
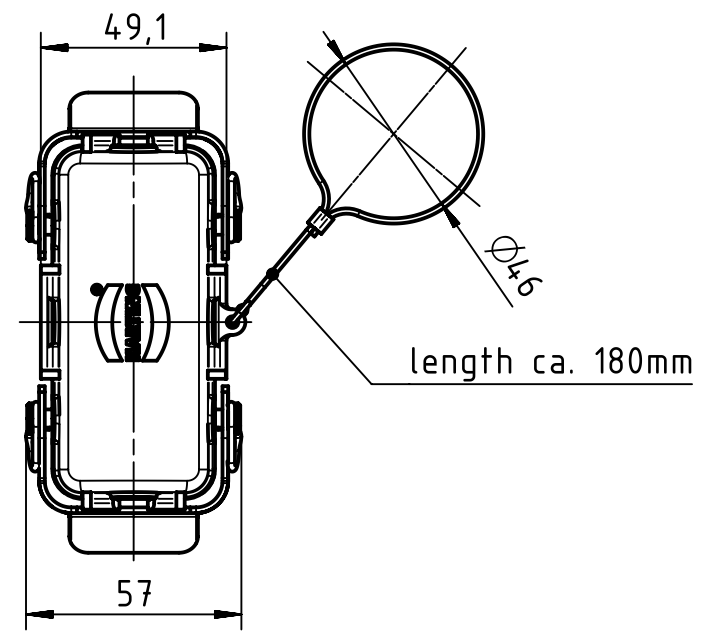
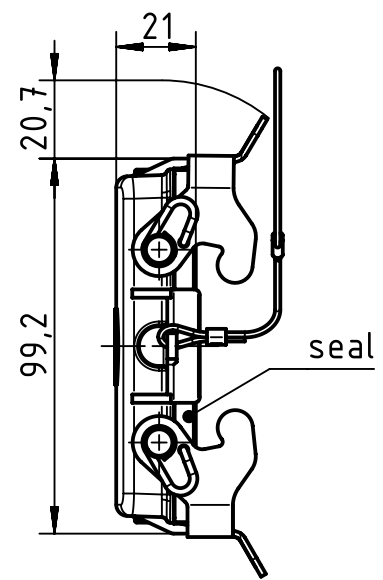
1 2 3 4 5 6

A

B

C

D



	All rights reserved Department EL PD - DE		Created by SCHULZI		Inspected by BERGHORN		Standardisation TIEMANNA		Date 2014-04-30		State Final Release		
	HARTING Electric GmbH & Co. KG D-32339 Espelkamp		Title Protect Cover Die Cast for Hood PG						Doc-Key / ECM-Nr. 100171313/UGD/004/B 500000074402		Rev. B		Page 1/1
All Dimensions in mm Original Size DIN A4		Scale 1:2		Free size tol.				Ref.		Sub.			