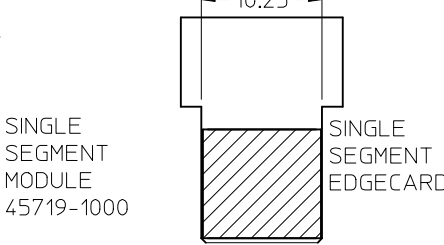
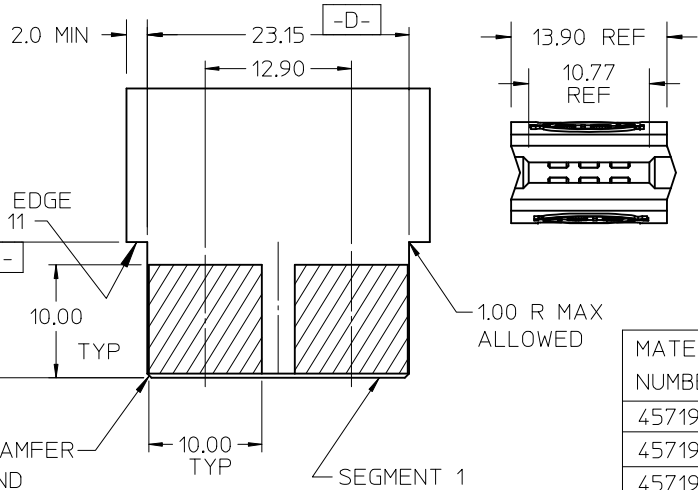
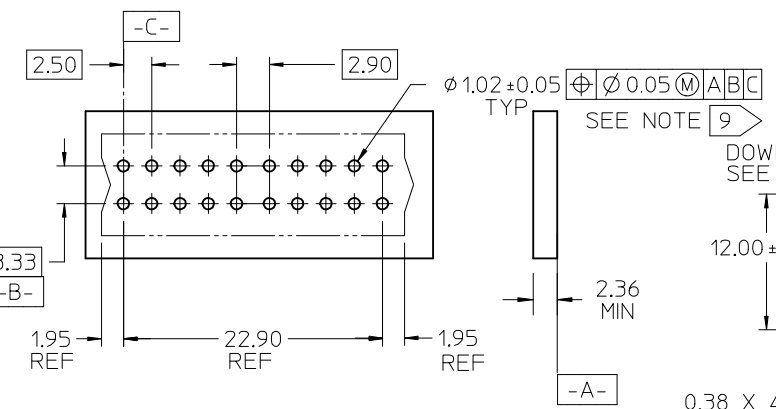


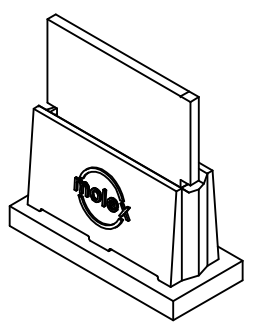
- NOTES:
- HOUSING MATL: LCP, UL94V-0, COLOR BLACK  
TERMINAL MATL: COPPER ALLOY
  - FINISH: SELECT GOLD: 30 M.I. MIN IN CONTACT AREA  
SELECT TIN: 150 M.I. MIN IN SOLDER AREA  
OVERALL NICKEL UNDERPLATE.
  - PRODUCT SPECIFICATION: PS-45719-001.
  - PACKAGING SPECIFICATION: ES-45714-001.
  - PCB THICKNESS: SEE CHART
  - EDGE CARD THICKNESS: 1.57±0.08
  - DIMENSIONS GIVEN ACROSS CENTERLINES ARE SYMMETRICAL ABOUT THOSE CENTERLINES WITHIN HALF TOTAL TOLERANCE.
  - VOIDED SEGMENTS DO NOT HAVE TERMINALS IN THE TOP OR BOTTOM ROW
  - PCB HOLE SPECIFICATION: SEE PS-45719-001
  - POWER TERMINALS ARE LUBRICATED.
  - THIS EDGE WILL TOUCH HOUSING WHEN EDGE CARD IS FULLY SEATED



MATERIAL NUMBER	SEGMENTS	VOIDED SEGMENT	P	PCB THK
45719-1000	1	NONE	4.50	3.18 OR
45719-1001	1	NONE	3.63	2.36
45719-1002	1	NONE	2.92	1.57
45719-0001	2	NONE	4.50	3.18 OR
45719-0004	2	NONE	3.63	2.36
45719-0007	2	NONE	2.92	1.57

PCB LAYOUT: COMPONENT SIDE

RECOMMENDED EDGE CARD LAYOUT  
EDGE CARD TOLERANCE ±0.05



DEL 5 & 6 CKT PARTS  
EC NO: UCP2015-2755  
DRWN: JSCHAFFER 2015/08/07  
CHKD: APATEL 2015/09/01  
APPR: APATEL 2015/09/01  
DESCRIPTION

GENERAL TOLERANCES (UNLESS SPECIFIED)

	mm	INCH
4 PLACES	± ---	± ---
3 PLACES	± ---	± ---
2 PLACES	± 0.25	± ---
1 PLACE	± 0.25	± ---
ANGULAR ±1/2°		

DRAFT WHERE APPLICABLE  
MUST REMAIN  
WITHIN DIMENSIONS

DIMENSION STYLE  
MM ONLY

DRAWN BY	DATE
MARGULIS	2003/11/11
CHECKED BY	DATE
MARGULIS	2003/11/11
APPROVED BY	DATE
MARGULIS	2003/11/11

SIZE  
A

SCALE  
1:1

DESIGN UNITS  
METRIC

THIRD ANGLE PROJECTION

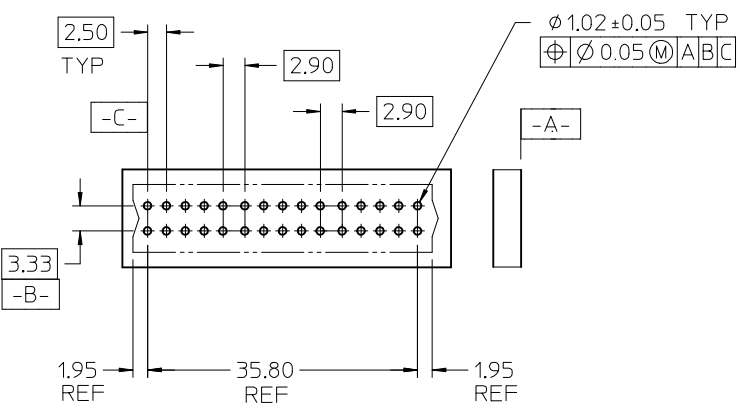
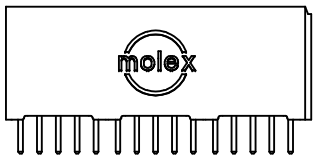
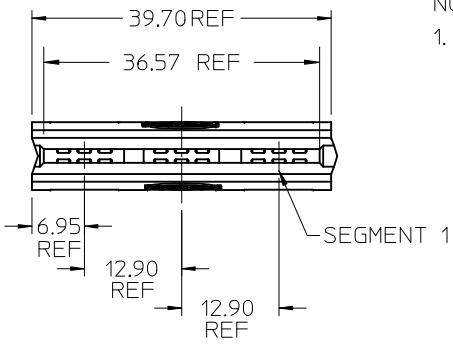
TITLE  
POWER EDGE ASSEMBLY  
POWER VERTICAL  
SOLDER TAIL

MOLEX INCORPORATED

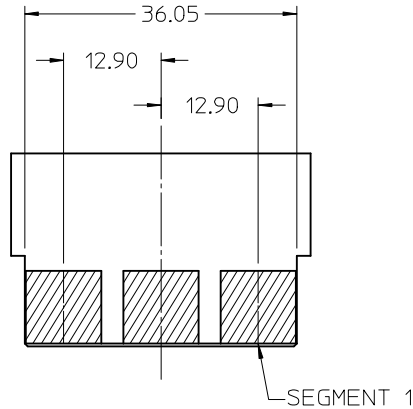
DOCUMENT NO.  
SD-45719-001

SHEET NO.  
1 OF 3

NOTES:  
1. FOR ALL OTHER DIMENSIONS AND NOTES SEE SHEET 1.

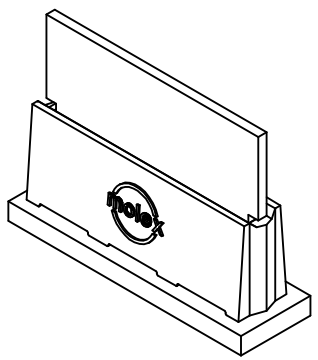


PCB LAYOUT: COMPONENT SIDE



RECOMMENDED EDGE CARD LAYOUT  
EDGE CARD TOLERANCE: ±0.05

MATERIAL NUMBER	VOIDED SEGMENT	P	PCB THK
45719-0002	NONE	4.50	3.18
45719-3001	1		
45719-3002	2		
45719-3003	3		
45719-3004	1,2		
45719-3005	1,3		
45719-3006	2,3		
45719-0005	NONE	3.63	2.36
45719-3007	1		
45719-3008	2		
45719-3009	3		
45719-3010	1,2		
45719-3011	1,3		
45719-3012	2,3		
45719-0008	NONE	2.92	1.57
45719-3013	1		
45719-3014	2		
45719-3015	3		
45719-3016	1,2		
45719-3017	1,3		
45719-3018	2,3		



EC NO: UCP2015-2755	DRWN: JSCHAFFER	2015/08/07	CHKD: APATEL	2015/09/01	DESCRIPTION
G6	REV				

GENERAL TOLERANCES (UNLESS SPECIFIED)		DIMENSION STYLE		SCALE	DESIGN UNITS	THIRD ANGLE PROJECTION
	mm	INCH	MM ONLY	1:1	METRIC	
4 PLACES	± ---	± ---	DRAWN BY	DATE	TITLE POWER EDGE ASSEMBLY POWER VERTICAL SOLDER TAIL  MOLEX INCORPORATED	
3 PLACES	± ---	± ---	MARGULIS	2003/11/11		
2 PLACES	± 0.25	± ---	CHECKED BY	DATE		
1 PLACE	± 0.25	± ---	MARGULIS	2003/11/11		
ANGULAR ±1/2°		APPROVED BY		DATE	DOCUMENT NO. SD-45719-001	
DRAFT WHERE APPLICABLE MUST REMAIN WITHIN DIMENSIONS		MARGULIS		2003/11/11		
		SIZE	THIS DRAWING CONTAINS INFORMATION THAT IS PROPRIETARY TO MOLEX INCORPORATED AND SHOULD NOT BE USED WITHOUT WRITTEN PERMISSION			
		A				

6

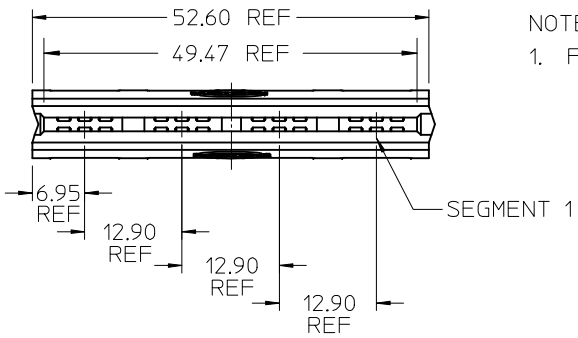
5

4

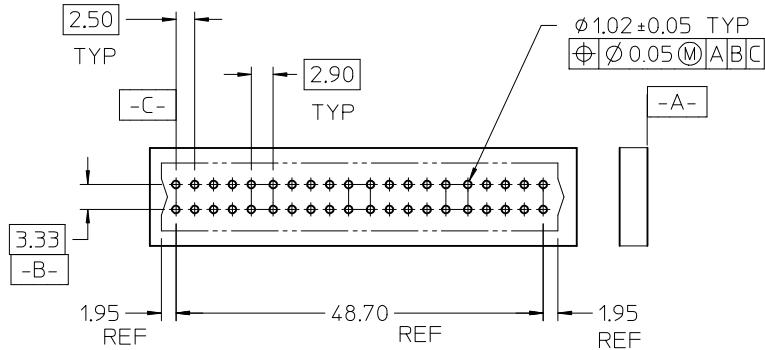
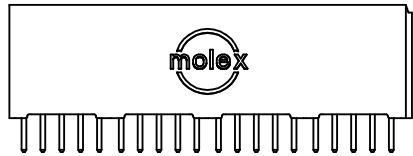
3

2

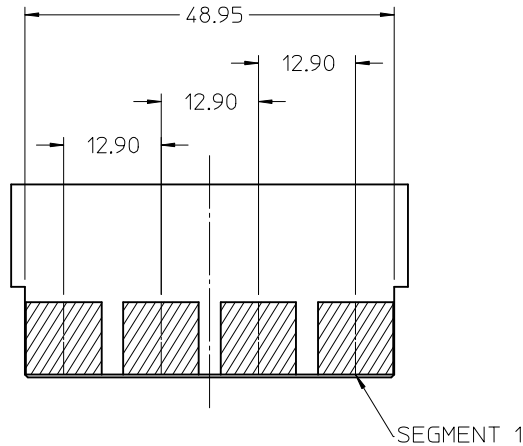
1



NOTES:  
1. FOR ALL OTHER DIMENSIONS AND NOTES SEE SHEET 1.

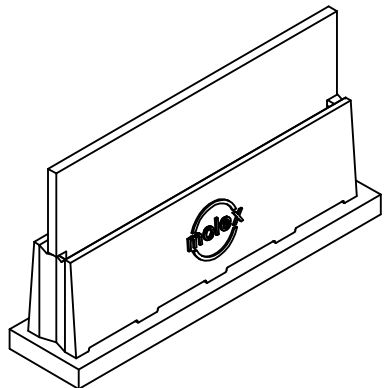


PCB LAYOUT: COMPONENT SIDE



RECOMMENDED EDGE CARD LAYOUT  
EDGE CARD TOLERANCE:  $\pm 0.05$

MATERIAL NUMBER	VOIDED SEGMENT	P	PCB THK
45719-0003	NONE		
45719-4001	1		
45719-4002	2		
45719-4003	3		
45719-4004	4	4.50	3.18
45719-4005	1, 2		
45719-4006	1, 3		
45719-4007	1, 4		
45719-4008	2, 3		
45719-4009	2, 4		
45719-4010	3, 4		
45719-0006	NONE		
45719-4011	1		
45719-4012	2		
45719-4013	3		
45719-4014	4	3.63	2.36
45719-4015	1, 2		
45719-4016	1, 3		
45719-4017	1, 4		
45719-4018	2, 3		
45719-4019	2, 4		
45719-4020	3, 4		
45719-0009	NONE		
45719-4021	1		
45719-4022	2		
45719-4023	3		
45719-4024	4	2.92	1.57
45719-4025	1, 2		
45719-4026	1, 3		
45719-4027	1, 4		
45719-4028	2, 3		
45719-4029	2, 4		
45719-4030	3, 4		



EC NO: UCP2015-2755	DRWN: JSCHAFFER	2015/08/07	CHKD: APATEL	2015/09/01	DESCRIPTION
G6	REV				

	GENERAL TOLERANCES (UNLESS SPECIFIED)	
	mm	INCH
4 PLACES	$\pm$ ---	$\pm$ ---
3 PLACES	$\pm$ ---	$\pm$ ---
2 PLACES	$\pm 0.25$	$\pm$ ---
1 PLACE	$\pm 0.25$	$\pm$ ---
ANGULAR $\pm 1/2^\circ$		
DRAFT WHERE APPLICABLE MUST REMAIN WITHIN DIMENSIONS		

DIMENSION STYLE	
MM ONLY	
DRAWN BY	DATE
MARGUL IS	2003/11/11
CHECKED BY	DATE
MARGUL IS	2003/11/11
APPROVED BY	DATE
MARGUL IS	2003/11/11
SIZE	
A	

SCALE	DESIGN UNITS	THIRD ANGLE PROJECTION
1:1	METRIC	
TITLE		
POWER EDGE ASSEMBLY POWER VERTICAL SOLDER TAIL		
molex MOLEX INCORPORATED		
DOCUMENT NO.	SHEET NO.	
SD-45719-001	3	
THIS DRAWING CONTAINS INFORMATION THAT IS PROPRIETARY TO MOLEX INCORPORATED AND SHOULD NOT BE USED WITHOUT WRITTEN PERMISSION		

5

4

3

2

1