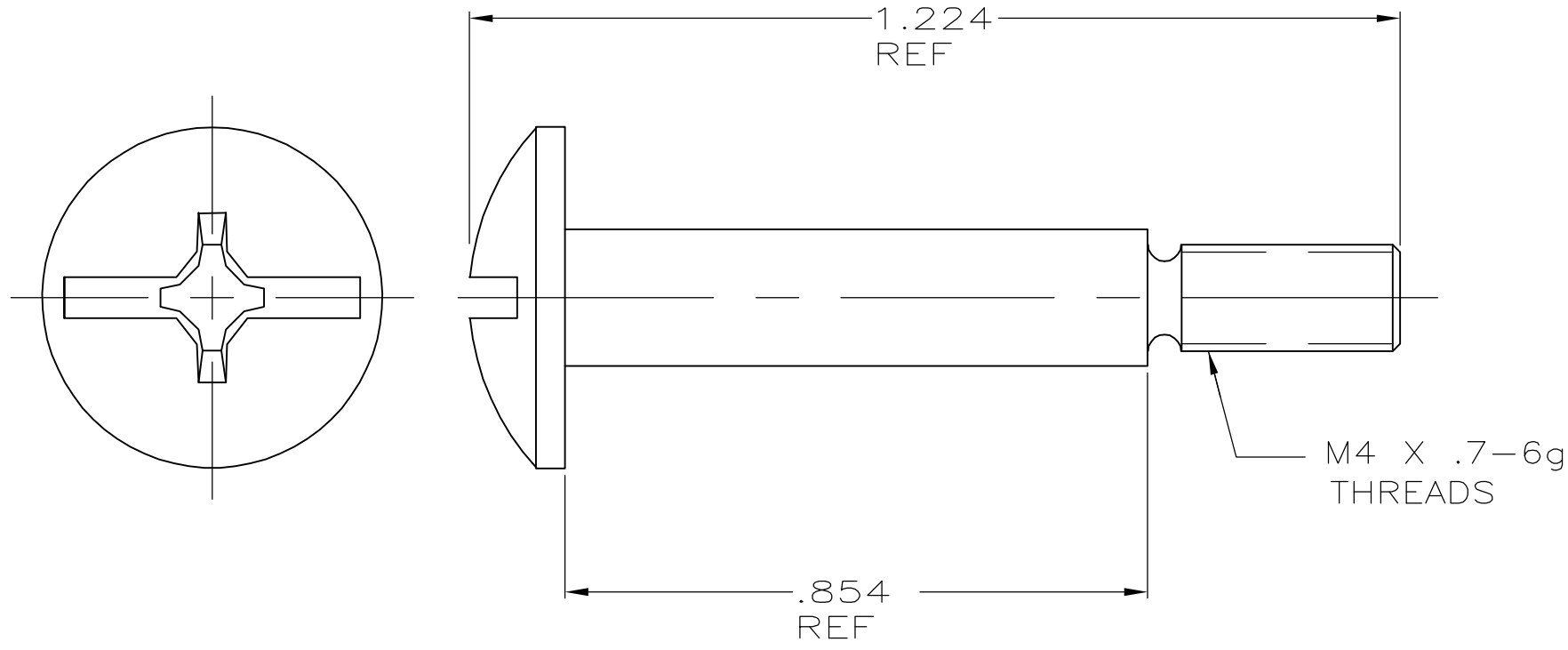
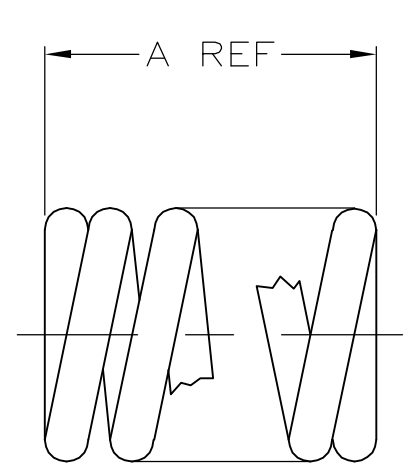


THIS DRAWING IS UNPUBLISHED. RELEASED FOR PUBLICATION
 © COPYRIGHT BY TYCO ELECTRONICS CORPORATION. ALL RIGHTS RESERVED.

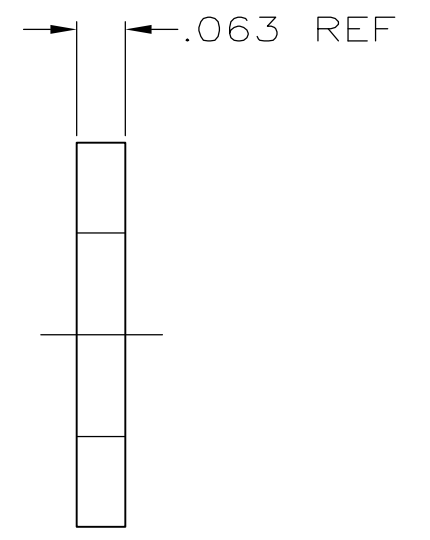
LOC	DIST	REVISIONS			
P	LTR	DESCRIPTION	DATE	DWN	APVD
FT	0				
	F1	REVISED PER ECO-06-15012	6/22/06	SS	GS



SHOULDER SCREW



COMPRESSION SPRING



FLAT WASHER

1. A KIT CONSISTS OF 2 EACH OF EACH PART SHOWN.
- 2 BULK PACKAGED. KITS TO BE ORDERED IN MULTIPLES OF 100.
3. -1 = 50 POSITION
-2 & -3 = 25 POSITION

OBSOLETE	.375	AS SHOWN	213283-3	2
	.375	AS SHOWN	213283-2	
OBSOLETE	.432	AS SHOWN	213283-1	
	A REF	DESCRIPTION	PART NUMBER	

THIS DRAWING IS A CONTROLLED DOCUMENT.		DWN T.BLACK 29 SEP 86	Tyco Electronics Corporation Harrisburg, PA 17105-3608			
DIMENSIONS: INCHES		CHK B.W.BLAIR 25 MAR 87				
TOLERANCES UNLESS OTHERWISE SPECIFIED:		APVD G.OVER 25 MAR 87	NAME			
		PRODUCT SPEC	HARDWARE KIT, HIGH DURABILITY DRAWER CONNECTOR			
MATERIAL		APPLICATION SPEC	SIZE	CAGE CODE	DRAWING NO	RESTRICTED TO
FINISH		WEIGHT	A3	00779	C-213283	-
CUSTOMER DRAWING			SCALE	SHEET	REV	
			4:1	1 OF 1	F1	