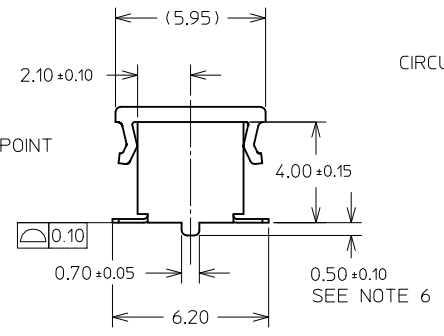
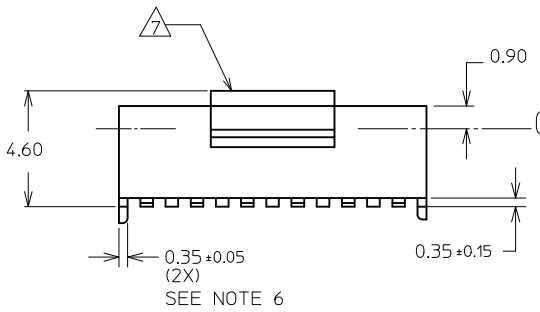


CONNECTOR ORIENTATION IN TUBE



PART NO. LEGEND

87381 - \* \* \* \*

CIRCUIT SIZE

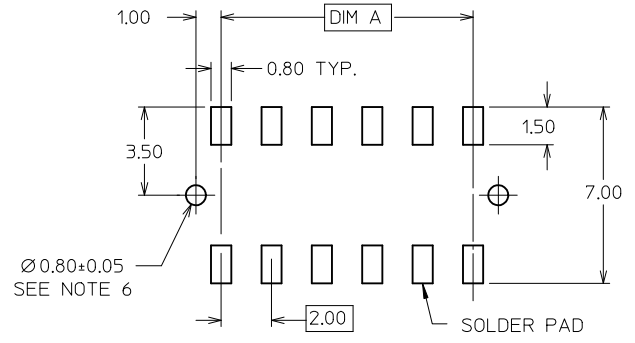
PLATING  
5  
9 (SEE NOTE 1)

PEG OPTION  
0 WITHOUT PEG  
1 WITH PEG

PART NUMBER W/ CAP IN TUBE	CKT. SIZE	DIM A	DIM B
87381-04**	4	2.00	4.00
87381-06**	6	4.00	6.00
87381-08**	8	6.00	8.00
87381-10**	10	8.00	10.00
87381-12**	12	10.00	12.00
87381-141*	14	12.00	14.00
87381-16**	16	14.00	16.00
87381-18**	18	16.00	18.00
87381-20**	20	18.00	20.00
87381-22**	22	20.00	22.00
87381-24**	24	22.00	24.00
87381-26**	26	24.00	26.00
87381-28**	28	26.00	28.00
87381-30**	30	28.00	30.00
87381-32**	32	30.00	32.00
87381-34**	34	32.00	34.00
87381-36**	36	34.00	36.00
87381-38**	38	36.00	38.00
87381-40**	40	38.00	40.00
87381-42**	42	40.00	42.00
87381-44**	44	42.00	44.00
87381-46**	46	44.00	46.00
87381-48**	48	46.00	48.00
87381-50**	50	48.00	50.00

NOTES:

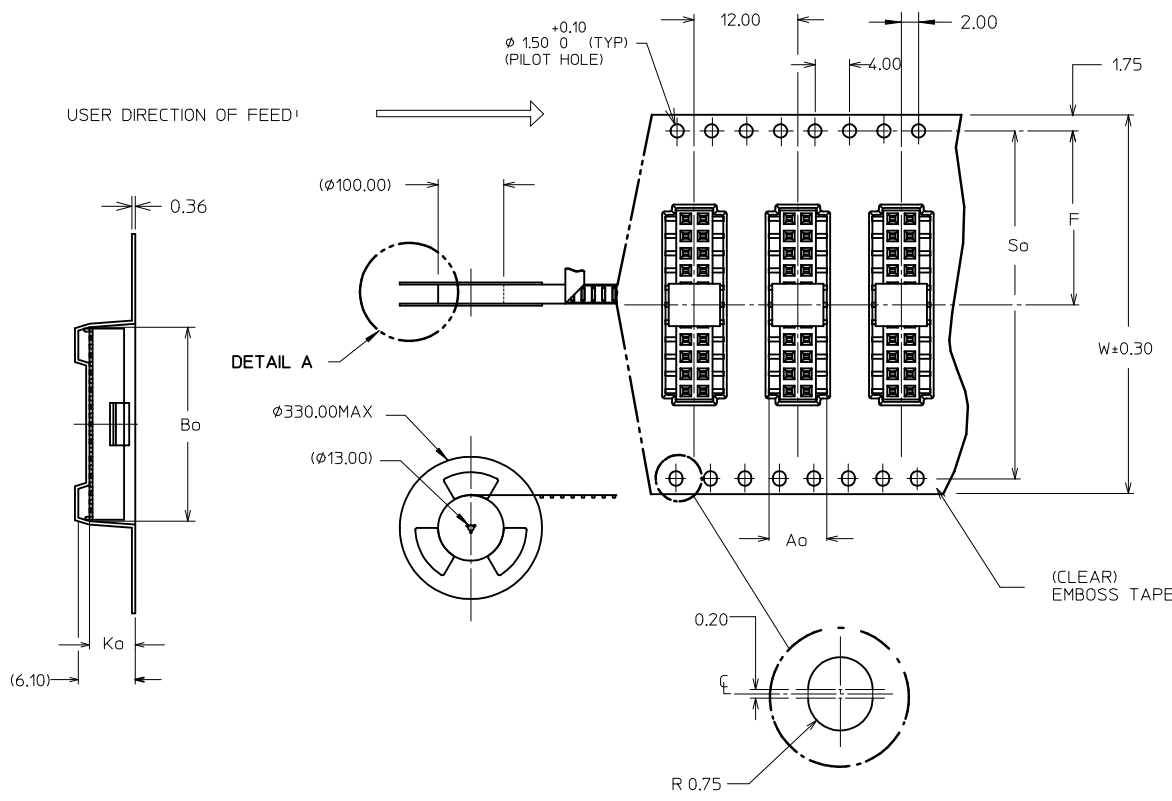
- PLATING FINISH :
  - 5 - 0.76µm MIN. GOLD IN CONTACT AREA  
1.27µm MIN TIN IN SOLDER TAIL AREA  
BOTH OVER 1.27µm MIN NICKEL OVERALL
  - 9 - 0.38µm MIN GOLD IN CONTACT AREA  
1.27µm MIN TIN IN SOLDER TAIL AREA  
BOTH OVER 1.27µm MIN NI OVERALL
- MATERIAL:
  - HOUSING : NYLON 4/6, 94V-0, COLOUR BLACK
  - CAP : NYLON, GLASS FILLED, COLOUR BLACK
  - TERMINAL : COPPER ALLOY
  - EMBOSS TAPE : CLEAR POLYSTYRENE
  - COVER TAPE : CLEAR POLYESTER
- PRODUCT SPECIFICATION PS-87380 APPLIES
- COPLANARITY OF SOLDER TAILS ARE TO BE MEASURED BY RESTING THE PART ON A FLAT GAUGE SURFACE
- OTHER PLATING OPTIONS AVAILABLE. PLEASE CONTACT FACTORY
- PEG AND PCB HOLE OPTIONAL. SEE PART LEGEND FOR PART CONFIGURATON
- △ POSITION OF CAP TO BE LOCATED AT CENTER OF DIM A REGARDLESS OF CKT SIZES.
- 12 CKT SIZE SHOWN FOR ILLUSTRATION ONLY. SEE CHART FOR ALL AVAILABLE PART SIZES. 22 CKT ILLUSTRATED FOR TAPE/REEL VERSION ON SHT 2.
- PACKING QTY PER REEL IS APPROX. 800PCS.
- PARTS SHALL BE PACKED IN MOISTURE BARRIER BAG.



RECOMMENDED PCB LAYOUT

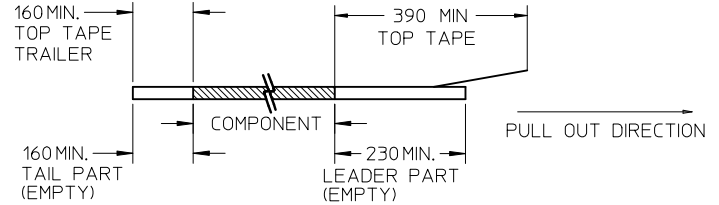
ADD P/N: 87381-9013 EC NO: S2012-0584 DRWN:SKANG 2012/01/31 CHKD:ATSEE 2012/02/23 APPR:MLONG 2012/02/24	QUALITY SYMBOLS ▽=0 ◻=0	GENERAL TOLERANCES (UNLESS SPECIFIED)		DIMENSION STYLE MM ONLY		SCALE NTS	DESIGN UNITS METRIC	THIRD ANGLE PROJECTION		
			mm	INCH	DRAWN BY KSEE	DATE 1999/01/06	TITLE MGRID, TOP ENTRY RECEPT. 4MM HT., W/PEGS/CAP IN TUBE AND T&R, SMT			
		4 PLACES	± ---	± ---	CHECKED BY KCLING	DATE 1999/01/11	MOLEX INCORPORATED SD-87381-***3			
		3 PLACES	± ---	± ---	APPROVED BY SKTOH	DATE 1999/01/11				
2 PLACES	± 0.2	± ---	ANGULAR ± 3 °		MATERIAL NO.	DOCUMENT NO.		SHEET NO.		
1 PLACE	± ---	± ---	DRAFT WHERE APPLICABLE MUST REMAIN WITHIN DIMENSIONS		SIZE A3	THIS DRAWING CONTAINS INFORMATION THAT IS PROPRIETARY TO MOLEX INCORPORATED AND SHOULD NOT BE USED WITHOUT WRITTEN PERMISSION				

CKT SIZE	PLATING FINISH (SEE NOTE #1)	PART NO WITH CAP IN TAPE / REEL	PART NO WITH CAP IN TUBE	W	So	Ao	F	Bo	Ko
06	9	87381-9013	87381-0619	24.00	-	7.00	11.50	6.50	4.80
08	9	87381-9016	87381-0819	24.00	-	7.00	11.50	8.50	4.80
10	5	87381-9030	87381-1015	24.00	-	7.00	11.50	10.50	4.80
30	9	87381-9015	87381-3019	56.00	52.40	7.00	26.20	30.50	4.80
50	9	87381-9027	87381-5019	72.00	68.40	7.00	34.20	50.50	4.80
50	5	87381-9028	87381-5015	72.00	68.40	7.00	34.20	50.50	4.80

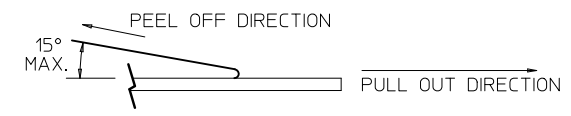


NOTES:

1. LEADER AND TRAILER TAPE



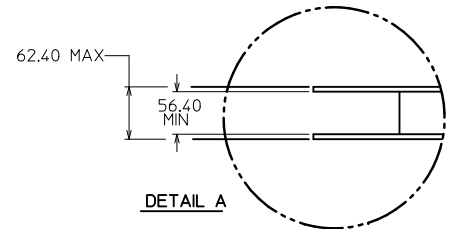
2. PEELING OFF FORCE OF THE TOP TAPE: 20-80gf.  
(PEELING DIRECTION AS SHOWN IN FOLLOWING FIGURE)



3. PACKAGING STANDARD IS AS PER EIA-481.

4. TAPE & REEL QUANTITY = 800 PCS/REEL

TAPE & REEL ORIENTATION (22 CKT SHOWN FOR REF)  
(NTS)



ADD P/N: 87381-9013	2012/01/31	DRWN:SKANG	2012/02/23	CHKD:ATSEE	2012/02/24	APPR:MLONG
EC NO: S2012-0584	2012/01/31	DRWN:SKANG	2012/02/23	CHKD:ATSEE	2012/02/24	APPR:MLONG

QUALITY SYMBOLS	GENERAL TOLERANCES (UNLESS SPECIFIED)	
	mm	INCH
▽=0	± ---	± ---
∇=0	± ---	± ---
	± 0.2	± ---
	± ---	± ---
	ANGULAR ± 3 °	

DIMENSION STYLE		SCALE	DESIGN UNITS
MM ONLY		NTS	METRIC
DRAWN BY	DATE	TITLE	
KSEE	1999/01/06	MGRID, TOP ENTRY RECEPT.	
CHECKED BY	DATE	4MM HT., W/PEGS/CAP	
KCLING	1999/01/11	IN TUBE AND T&R, SMT	
APPROVED BY	DATE	MOLEX INCORPORATED	
SKTOH	1999/01/11	MOLEX INCORPORATED	
MATERIAL NO.	DOCUMENT NO.	SHEET NO.	
SEE TABLE	SD-87381-***3	2 OF 2	

THIRD ANGLE PROJECTION	
MATERIAL NO. SKTOH	
DOCUMENT NO. SD-87381-***3	
SHEET NO. 2 OF 2	