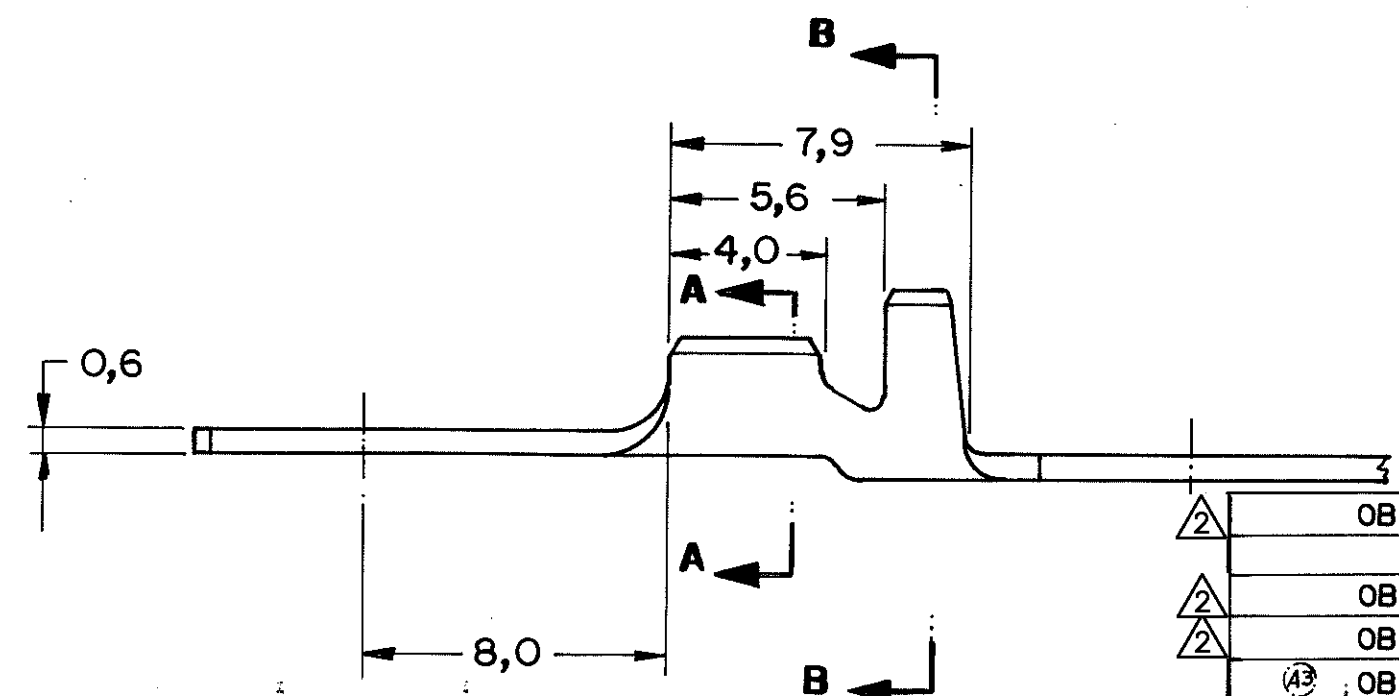
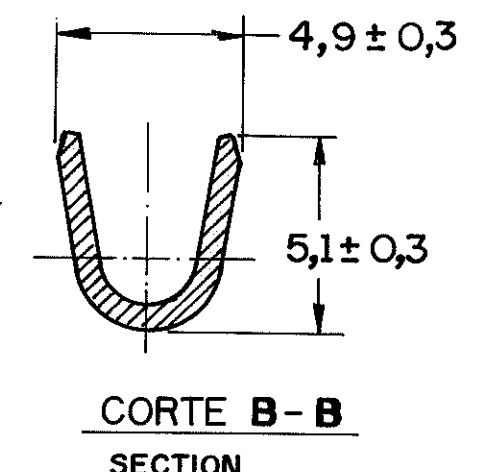
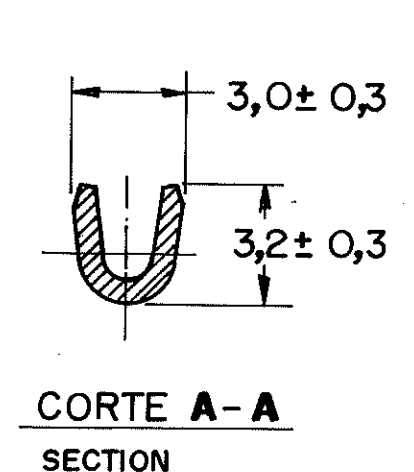
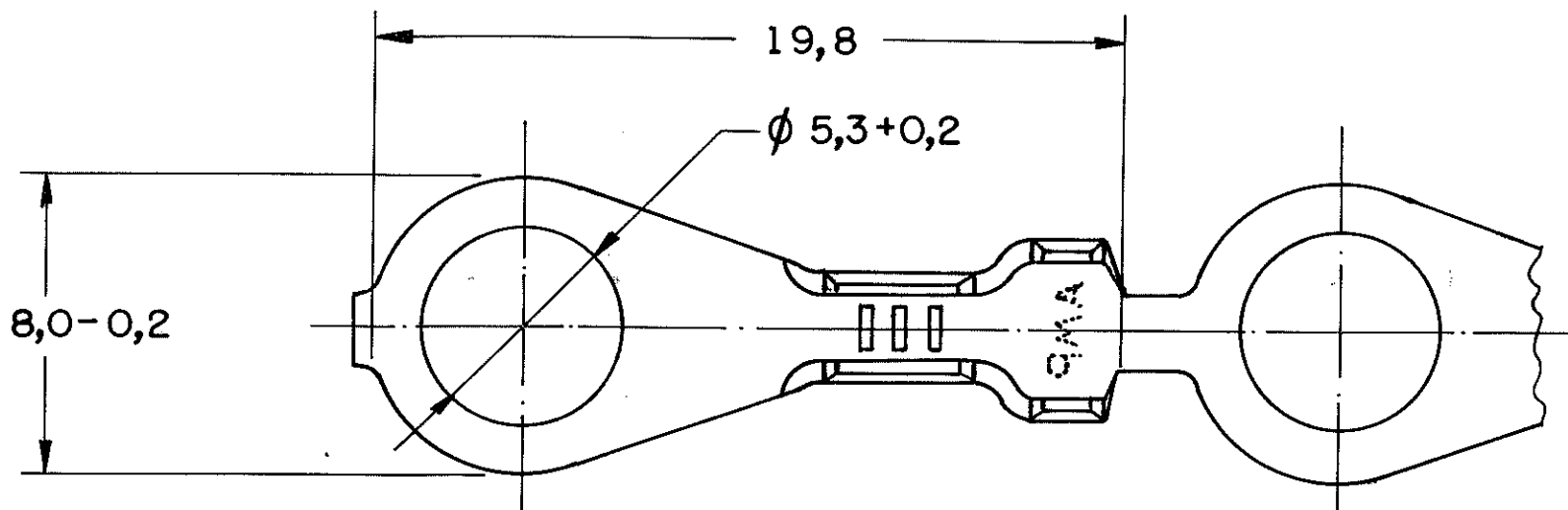


C 880629 1 of 1

DWG NO.		DO NOT SCALE		METRIC		3rd ANGLE PROJECTION	
		DIMENSIONS IN mm.					
REQ. PER ASSY	ITEM	DESCRIPTION		MATERIAL		FINISH	



△2	OBSOLETE		COBRE	COPPER			-7
		ESTANHADO	TIN PLATED	LATAO	BRASS	△	-6
△2	OBSOLETE	ESTANHADO	TIN PLATED	BRONZE FOS. PHOS.	BRONZE		-5
△2	OBSOLETE	NIQUELADO	NICKEL PLATED	LATAO	BRASS		-4
④3	OBSOLETE			BRONZE FOS. PHOS.	BRONZE		-3
		ESTANHADO	TIN PLATED	LATAO	BRASS		-2
				LATAO	BRASS		880629 -1
			FINISH		MATERIAL		PART NUMBER

- △1 - REBOBINAR INTERCALANDO COM PAPEL.
REREELING WITH PAPER INTERLEAVE
- △2 OBSOLETE PARTS: OBSOLETE CIS STREAMLINING PER D.RENAUD/D.SINISI

CUSTOMER DWG for REFERENCE ONLY				THIS DRAWING IS UNPUBLISHED RELEASED FOR PUBLICATION			
				© COPYRIGHT 19 BY AMP DO BRASIL LTDA S.P. ALL INTERNATIONAL RIGHTS RESERVED AMP PRODUCTS MAY BE COVERED BY U.S. AND FOREIGN PATENTS AND/OR PATENTS PENDING.			
TOLERANCES UNLESS OTHERWISE STATED DEC. ± 0,4 ANGLES ± 1°				INS. DIA. RANGE	WIRE RANGE	SCALE	
				2,0-3,3mm	0,5-1,0mm	2	5:1
				AMP do BRASIL LTDA. São Paulo, Brasil			
				DESCRIPTION			REV
				RING TONGUE			A4
				DWG NO.		SHEET	
				A3 C880629		1 of 1	
ISS	REVISION	RECORD	ECN	DR	CHK	DATE	APP.

A4	REVISED PER ECO-09-026444	KK	26NOV09
A3	REVISED BY EC LB CO	0336/01	05.SEP.01
A2	REDRAWN WITHOUT CHANGE	216-95	Dori

DR. D.A. Rocha
12-MAY-95
CHK. 29-MAY-95
J.R. FOLDSCHMIDT