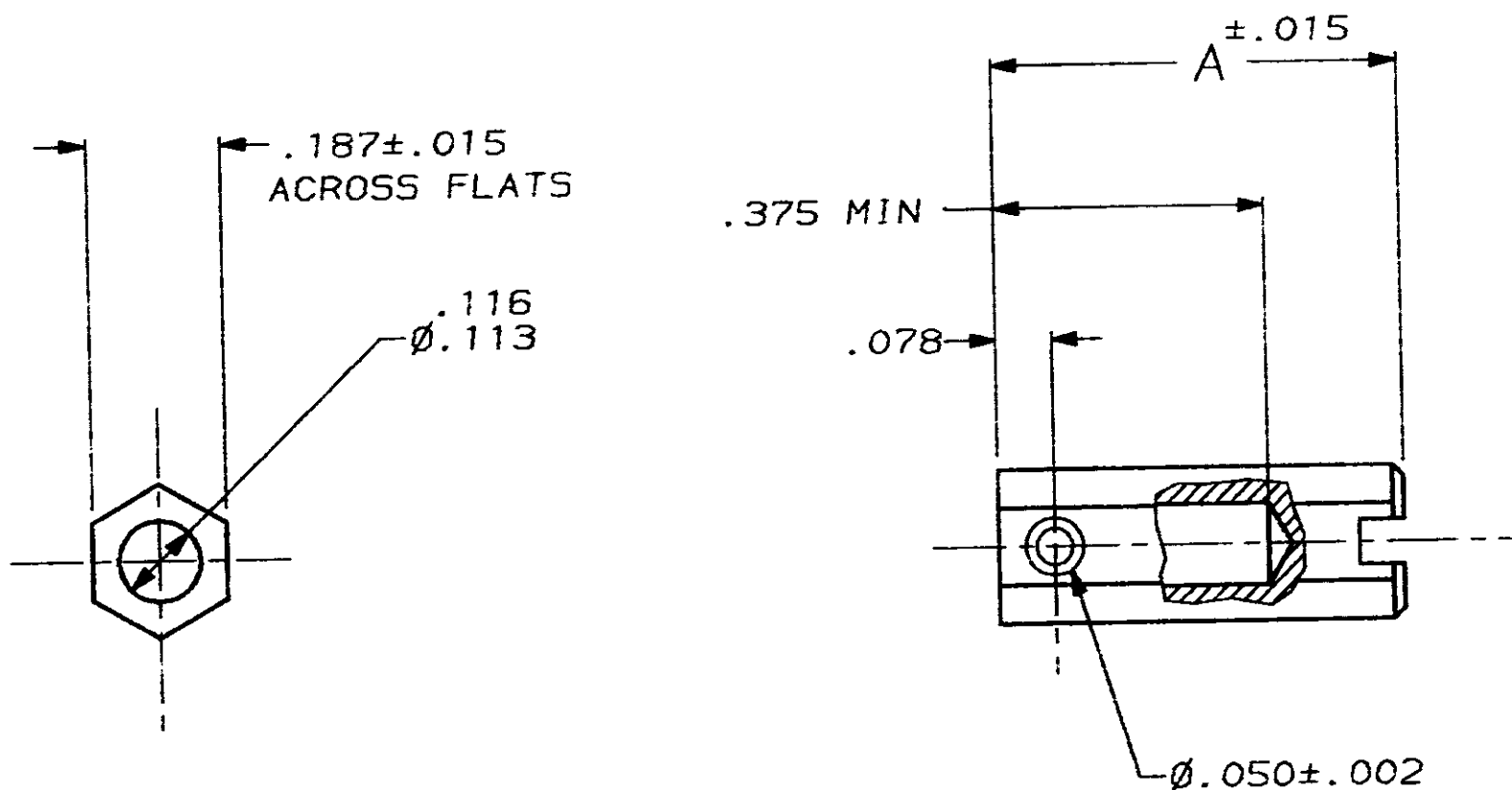


DRAWING MADE IN THIRD ANGLE PROJECTION

THIS DRAWING IS UNPUBLISHED. RELEASED FOR PUBLICATION .19  
 © COPYRIGHT 19 BY AMP INCORPORATED. ALL INTERNATIONAL RIGHTS RESERVED.

LOC	DIST	P	F	ZONE	LTR	DESCRIPTION	DATE	APPO
AR	39	5	✓		J	REDRAWN AR2290	1-89	-



.400	2	1	87184-6
.562	2	1	87184-2
A	FINISH	MATERIAL	PART NO.

1 STAINLESS STEEL  
 2 PASSIVATED

DO NOT SCALE PRINT. UNLESS SPECIFIED DIMENSIONS IN INCHES TOLERANCES ON: 2 PLC DEC ± - 3 PLC DEC ± .005 ANGLES ± -		DR 1-31-89 C. OBERMAN		AMP INCORPORATED Harrisburg, Pa. 17105	
MATERIAL SEE TABLE		CHK - <i>Tom Miller</i> 2-1-89		NAME BODY, JACKSCREW	
FINISH SEE TABLE		APPO <i>Tom Miller</i> 2-1-89		SIZE <b>B</b>	
		APPS <i>William T. Baber</i> 2-1-89		FSCN NO 00779	
		PRODUCT SPEC -		DRAWING NO 87184	
		APPLICATION SPEC -		SCALE 4:1	
		WEIGHT -		SHEET 1 OF 1	

CUSTOMER DRAWING