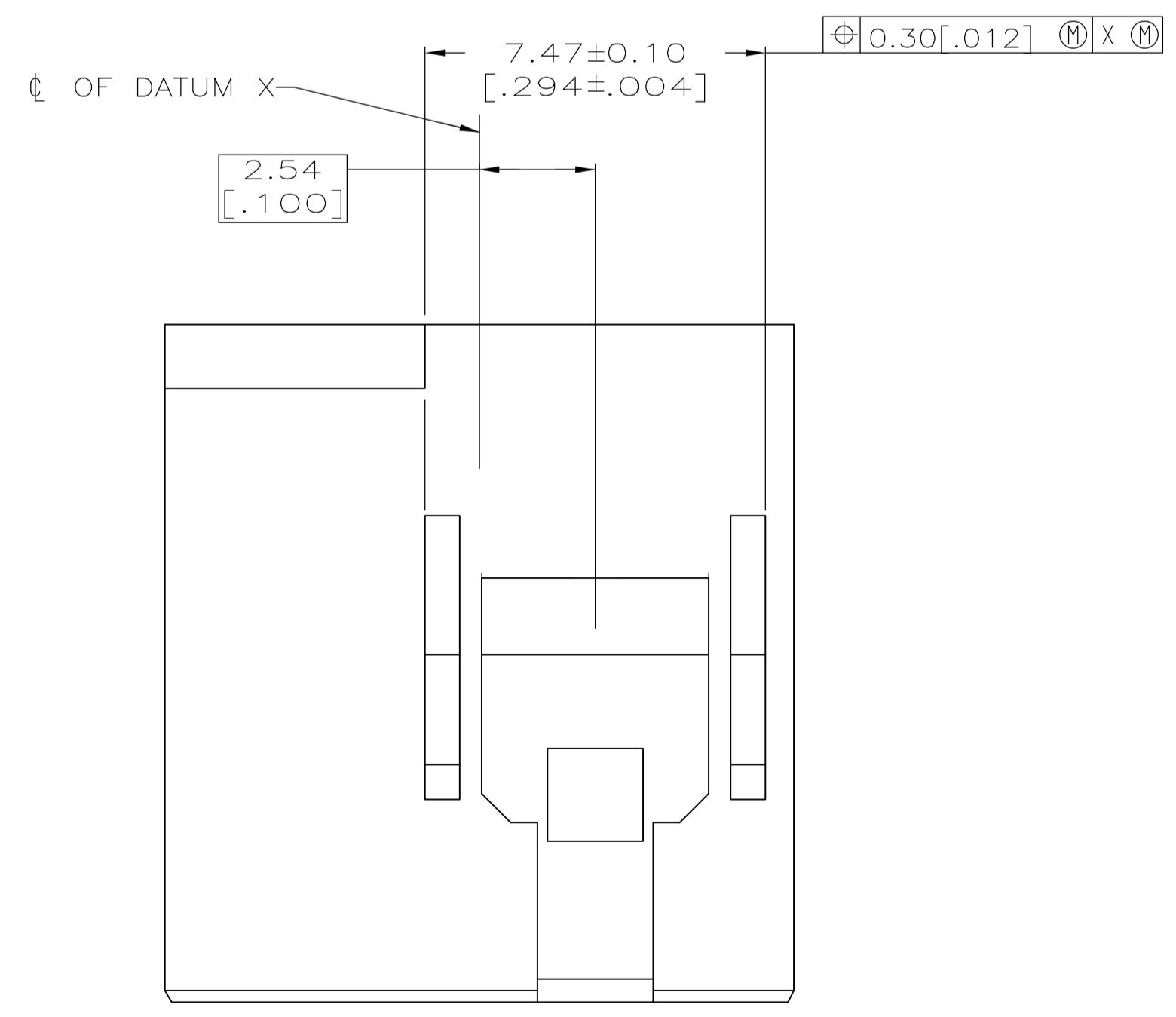
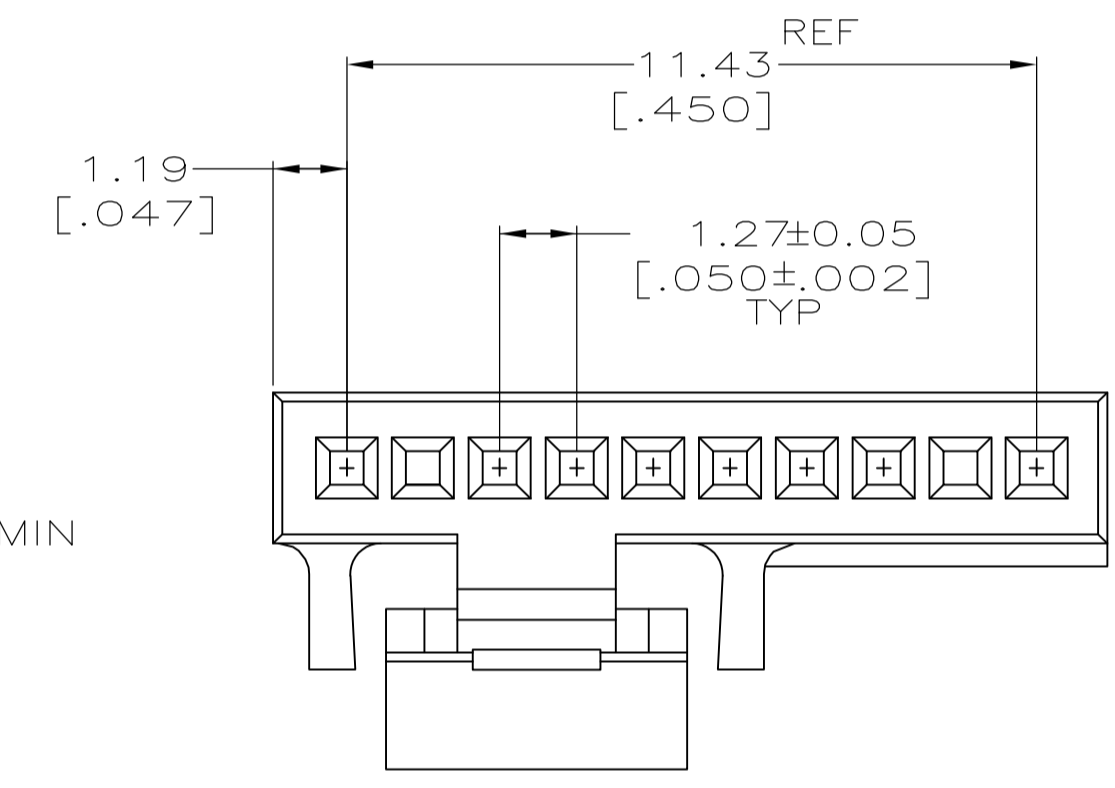
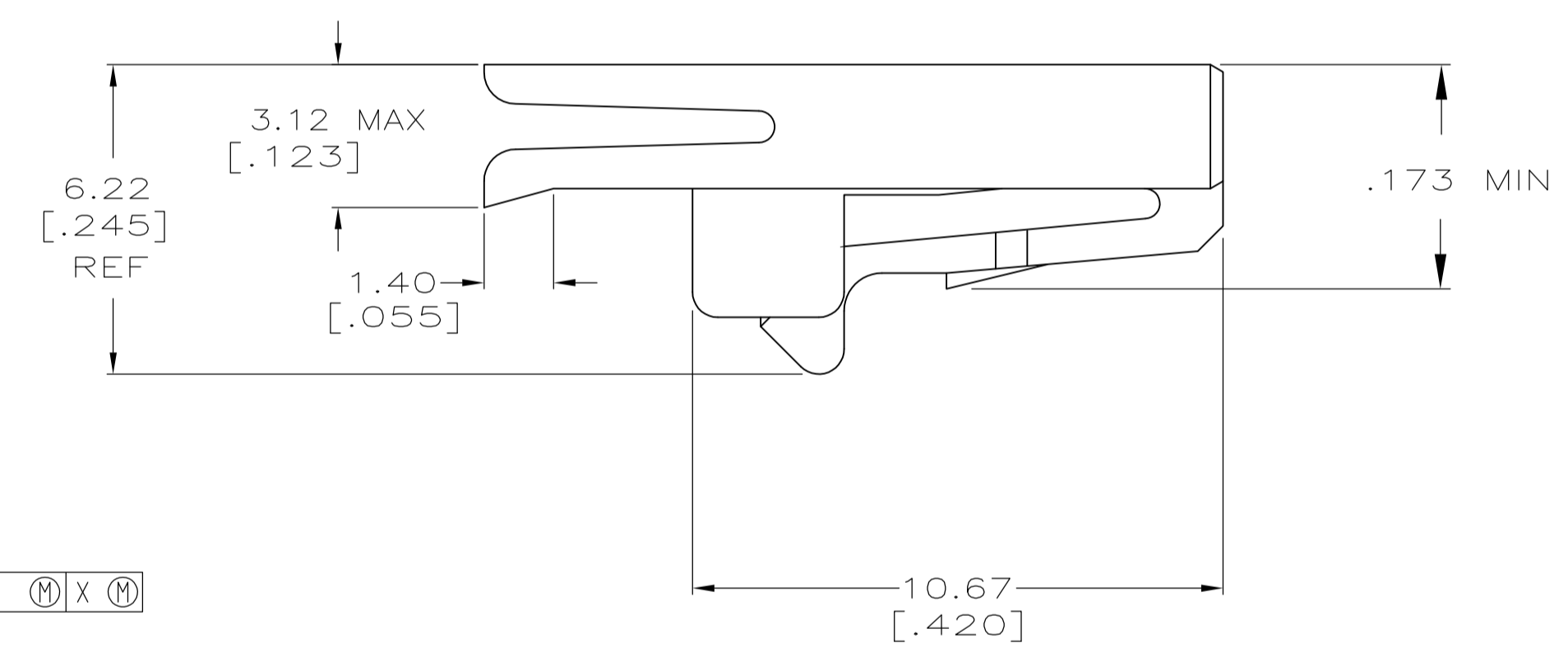
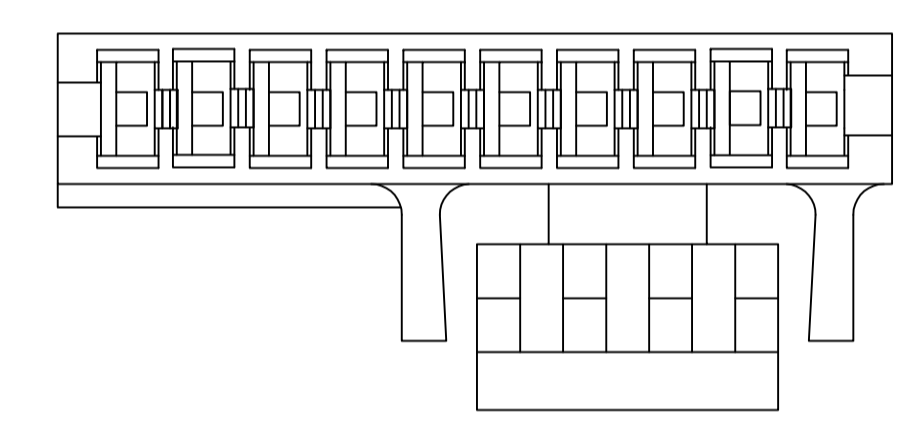


1 WINDOWS MAY OR MAY NOT BE PRESENT ON THIS SIDE OF THE HOUSING.



10	487973-1
NO OF POSN	PART NUMBER

THIS DRAWING IS A CONTROLLED DOCUMENT.		DIN C. OBERMAN 05/25/93	TE Connectivity	
DIMENSIONS: mm [INCHES]		CHK R. STONE 5-25-93	NAME	
TOLERANCES UNLESS OTHERWISE SPECIFIED:		APVD	PRODUCT SPEC	
0. PLC ± -	1. PLC ± -	108-16022		
2. PLC ± 0.13 [.005]	3. PLC ± -	APPLICATION SPEC		
4. PLC ± -	ANGLES ± -	114-16008		
MATERIAL POLYESTER, BLACK	FINISH -	WEIGHT -	SIZE A1	RESTRICTED TO
CUSTOMER DRAWING		SCALE 8:1	SHEET 1 OF 1	REV H