

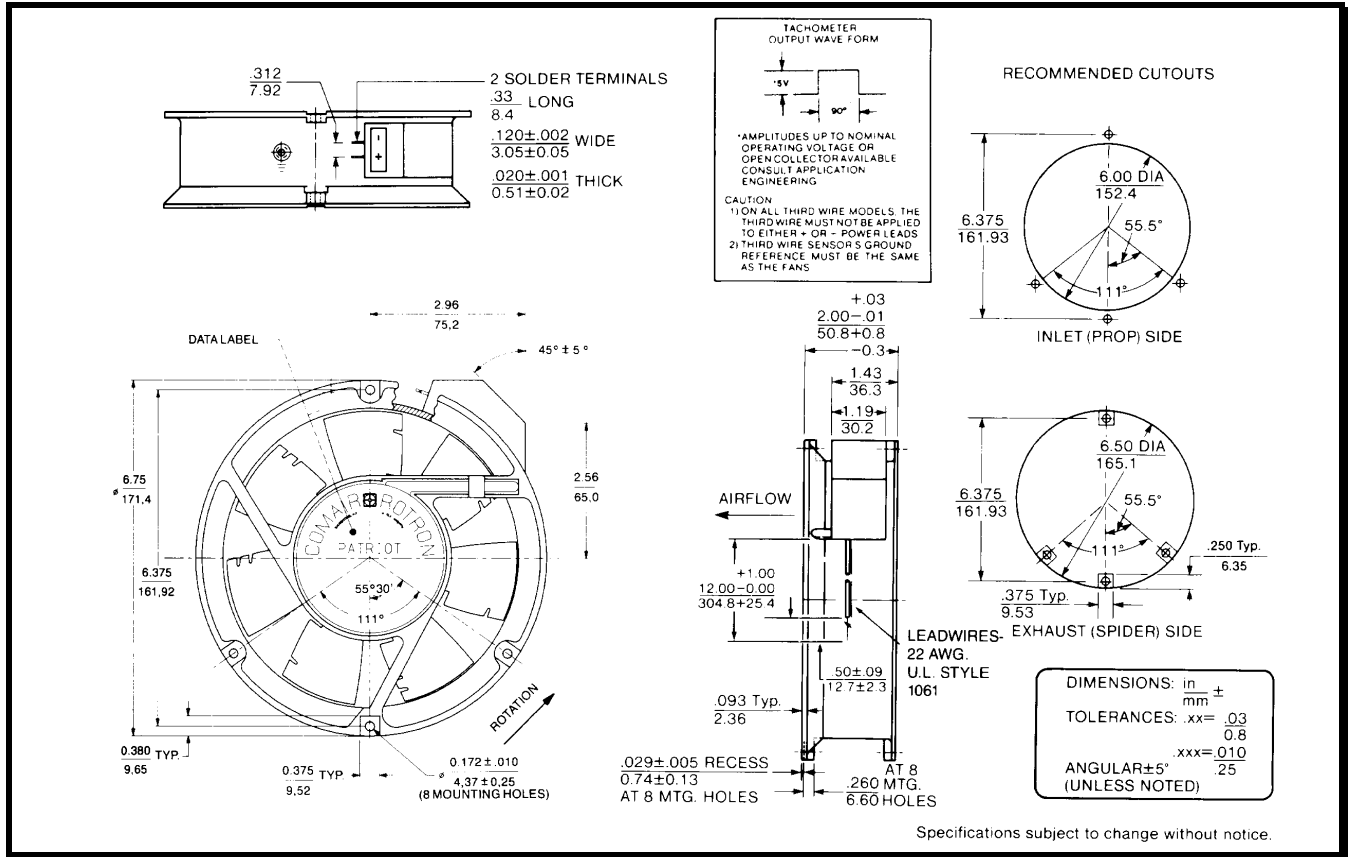
SPECIFICATIONS



Model Number: PQ48B7
Part Number: 19031235A

May 16, 2005

Mechanical Drawing:



Motor:

Nominal Voltage = 48 vdc
Operating Voltage Range = 24 - 56 vdc
Nominal Running Current = 0.460 amps
Locked Rotor Current = 1.000 amps
Running Power = 22.0 watts
Average Speed = 3475 RPM
Bearings = Ball
Air Flow = 235 CFM
Noise = 51.2 dBA

Construction:

Venturi: Die-Cast Aluminum, Black
Propeller: Plastic, Black, UL 94V-0

Life Expectancy:

This fan is designed for continuous duty life of 75,000 hours at 40°C.

Agency Approvals:

UL, cUL, CE

Additional Features:

Brushless DC Motor
Electronic Locked Rotor Protection
Polarity Protected
Automatic Restart Capabilities
Operating Temperature: -10°C to 70°C
Storage Temperature: -40°C to 85°C

Tachometer Specifications:

Output: 5 volt TTL Compatible
I_c: 5 vdc Typical
Pulses Per Revolution: 2
Isolated: No

Termination:

12" Lead wires, 22 AWG, UL 1061
Red = Fan Power (+)
Black = Fan Ground (-)
Blue/White = Tachometer (Output)