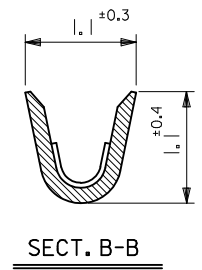
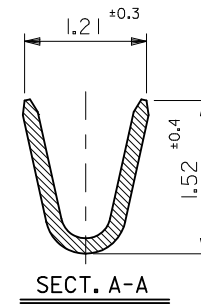
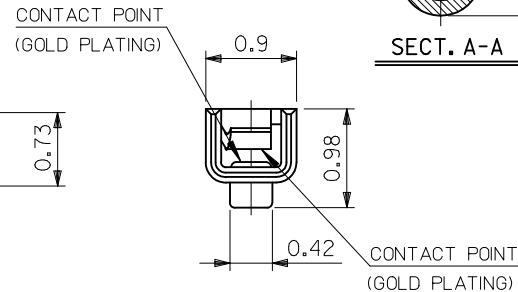
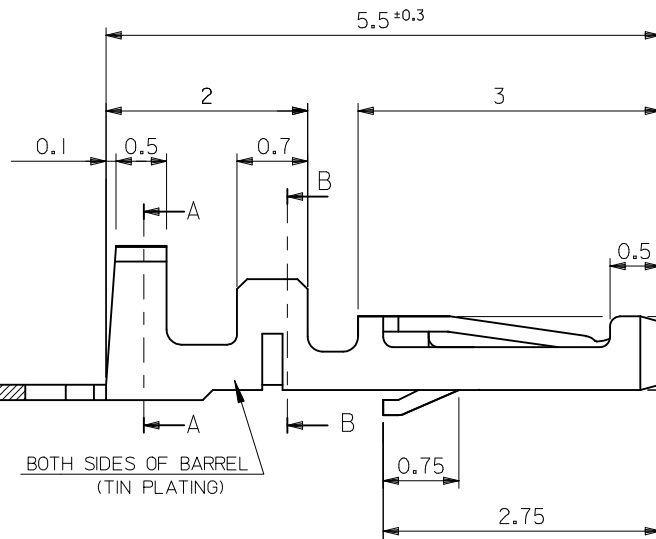


NOTES.

- 適合ハウジング：51146シリーズ  
APPLICABLE HOUSING：51146 SERIES
- メッキ仕様（前メッキ）  
PLATING (PRE-PLATING)  
接点部金メッキ：0.2 μm MIN.  
CONTACT AREA GOLD PLATING  
バレル外面 錫メッキ：0.9 μm MIN.  
OUTSIDE OF BARREL TIN PLATING  
下地ニッケルメッキ：1.0 μm MIN.  
UNDER PLATING NICKEL PLATING
- 本製品はコンタクト部 金メッキ品である。  
THIS PRODUCT IS GOLD PLATING FOR CONTACT POINT.
- 本製品はバレル両面 錫メッキ品である。  
THIS PRODUCT IS TIN PLATING BOTH SIDES A BARREL.
- ELV AND RoHS COMPLIANT.



50641-8141	バラ状 LOOSE
50641-8041	連鎖状 CHAIN
MATERIAL NO.	端子形状 FORM

<b>MATERIAL</b> リン青銅 下地ニッケル、部分金メッキ、錫メッキ品 PHOSPHOR BRONZE t=0.15 SELECTIVE GOLD PLATING SELECTIVE TIN PLATING UNDER NICKEL PLATING	<b>REVISED</b> EC NO.: J2011-0919 DRWN: NITO 2011/02/08 CHKD: SAKIYAMA 2011/02/08 APPR: NUKITA 2011/05/09	<b>GENERAL TOLERANCES (UNLESS SPECIFIED)</b> 10 UNDER ±0.2 10 OVER 30 UNDER ±0.25 30 OVER ±0.3 ANGULAR ±1 ° DRAFT WHERE APPLICABLE MUST REMAIN WITHIN DIMENSIONS	<b>DIMENSION STYLE</b> MM ONLY DRAWN BY: NITO CHECKED BY: SAKIYAMA APPROVED BY: NUKITA MATERIAL NO.: ENTER PART	SCALE: 20:1 DESIGN UNITS: METRIC THIRD ANGLE PROJECTION	TITLE: 1.25 W/B CONN CRIMP RECEPTACLE MOLEX INCORPORATED DOCUMENT NO.: SD-50641-001	SHEET NO.: 1 OF 1