

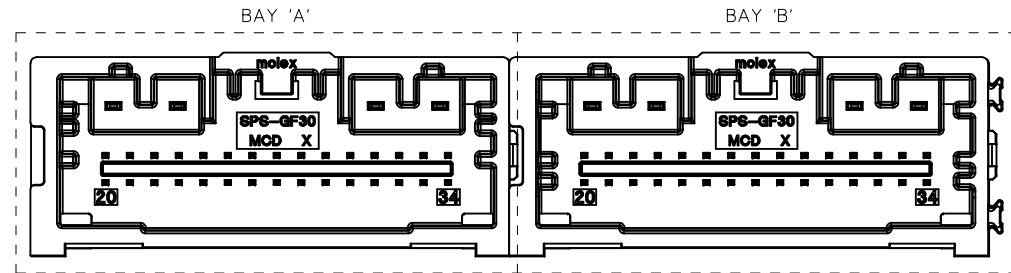
- NOTES: VALID UNLESS OTHERWISE SPECIFIED
1. GENERAL:
    - a. APPLICATION SPECIFICATION SEE: AS-34959-001
    - b. PRODUCT SPECIFICATION SEE: PS-34959-001
    - c. PACKAGING SPECIFICATION PER MOLEX DRAWING: PK-31302-070 (TRAY)
    - d. PACKAGING SPECIFICATION PER MOLEX DRAWING: PK-31301-688 (TUBE)

2. DESIGN - MATERIALS:
  - a. SHROUD (PLASTIC HOUSING)
    - RESIN: SPS 30%GF
    - COLOR:
      - POL A - BLACK
      - POL B - GREY
      - POL C - DARK GREY
  - b. 0.50mm BLADES:
    - BASE MATERIAL: C26800
    - PLATING TYPE: AS NOTED
  - c. 1.20mm BLADES:
    - BASE MATERIAL: C26800
    - PLATING TYPE: AS NOTED

3. PLATING REQUIREMENTS:
  - a. UNDERPLATING: OVERALL NICKEL
  - b. OVERPLATING: OVERALL REFLOW TIN

4. DESIGN - GEOMETRY:
  - a. ALL GRAPHIC DATA IS BASIC (NO TOLERANCE) AND MUST BE TAKEN FROM THE DATA FILE AT ITS LATEST REVISION.
  - b. FOR DESCRIPTION OF INDIVIDUAL BAYS REFER TO SD-34958-030
  - c. GEOMETRIC DIMENSIONS AND TOLERANCES PER ASME Y14.5X-2009
  - d. EDGES AND UNDIMENSIONED DETAILS PER ISO13715
  - e. CORNERS SHOWN AS SHARP TO BE R 0.2 MAX.
  - f. LETTERING SHALL BE 0.15 MAX RAISED IN 0.25 MAX RECESS PAD. THIS INCLUDES RECYCLING CODE, CAVITY ID, VENDOR IDENTIFICATION, AND CUSTOMER MATERIAL NUMBER.

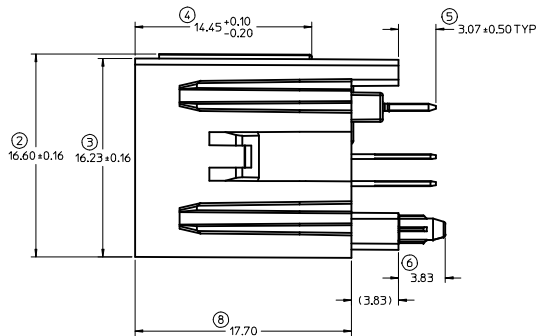
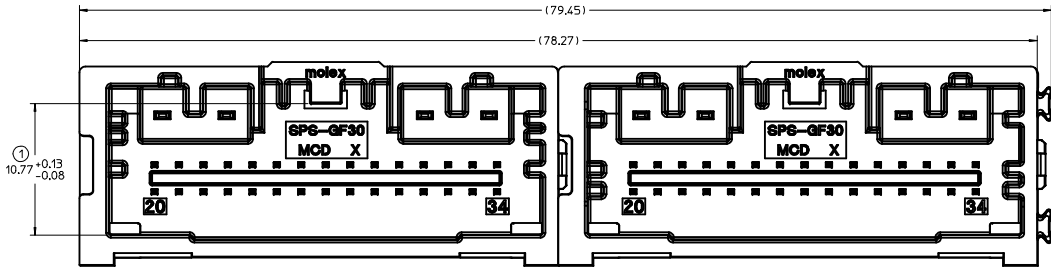
## 2-BAY MINI50 VERTICAL HEADER ASSEMBLY (P/N 34960-1200 SHOWN)



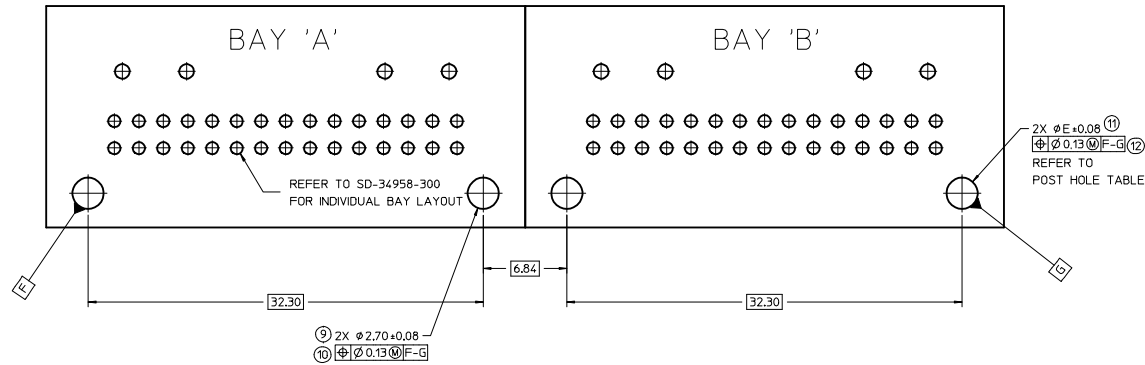
DIMENSIONAL CHART FOR MULTIBAY CONFIGURATION:

2 BAY PART NUMBER (TUBE PKG)	2 BAY PART NUMBER (TRAY PKG)	BAY A			BAY B		
		CKT	TYPE	POL	CKT	TYPE	POL
TBD	34960-1200	34	HYBRID	A	34	HYBRID	B
TBD	34960-1210	38	0.50mm	A	38	0.50mm	B
TBD	34960-1220	34	HYBRID	A	38	0.50mm	B

<b>ENTER DESCRIPTION</b> IEC NO: UAU2016-1693 DRAWN: J FISCHER01 2016/05/18 CHKD: CHYKZ APPR: RBAUMAN 2016/05/26 REV:	QUALITY SYMBOLS ▽=0 ▽=0 ▽=0	GENERAL TOLERANCES (UNLESS SPECIFIED) <table border="1" style="width: 100%; border-collapse: collapse;"> <thead> <tr> <th></th> <th>mm</th> <th>INCH</th> </tr> </thead> <tbody> <tr> <td>4 PLACES</td> <td>±---</td> <td>±---</td> </tr> <tr> <td>3 PLACES</td> <td>±---</td> <td>±---</td> </tr> <tr> <td>2 PLACES</td> <td>±---</td> <td>±---</td> </tr> <tr> <td>1 PLACE</td> <td>±---</td> <td>±---</td> </tr> <tr> <td>0 PLACE</td> <td>±---</td> <td>±---</td> </tr> </tbody> </table>		mm	INCH	4 PLACES	±---	±---	3 PLACES	±---	±---	2 PLACES	±---	±---	1 PLACE	±---	±---	0 PLACE	±---	±---	DIMENSION STYLE <b>MM ONLY</b>	SCALE <b>5:1</b>	DESIGN UNITS <b>METRIC</b>	THIRD ANGLE PROJECTION 
		mm	INCH																					
	4 PLACES	±---	±---																					
	3 PLACES	±---	±---																					
2 PLACES	±---	±---																						
1 PLACE	±---	±---																						
0 PLACE	±---	±---																						
DRAFT WHERE APPLICABLE MUST REMAIN WITHIN DIMENSIONS		DIMENSION STYLE <b>MM ONLY</b>	DRAWN BY DATE JF FISCHER01 2014/03/26 CHECKED BY DATE RBAUMAN 2014/03/31	TITLE <b>34 &amp; 38 CKT MINI50 2-BAY VERTICAL HEADER ASSEMBLY SALES DRAWING</b> 																				
SIZE <b>A4</b>		MATERIAL NO. <b>SEE CHART</b>			DOCUMENT NO. <b>SD-34960-1200</b>																			
THIS DRAWING CONTAINS INFORMATION THAT IS PROPRIETARY TO MOLEX INCORPORATED AND SHOULD NOT BE USED WITHOUT WRITTEN PERMISSION						SHEET NO. <b>1 OF 2</b>																		



RECOMMENDED PCB LAYOUT



POST HOLE TABLE:

FOR DIM E:	
PRESS FIT:	2.35
DROP IN:	2.70

DIN 16901	CODE LETTER	NOMINAL DIMENSION RANGE														
		OVER UP TO	0	1	3	6	10	15	22	30	40	53	70	90	120	160
PRECISION	A		+0.10	+0.12	+0.14	+0.16	+0.20	+0.22	+0.24	+0.26	+0.28	+0.31	+0.35	+0.40	+0.50	
ENGINEERING	B		+0.05	+0.06	+0.07	+0.08	+0.10	+0.12	+0.14	+0.16	+0.18	+0.21	+0.25	+0.30	+0.40	

A: FOR NON-MOLD RELATED DIMENSIONS (ACROSS PARTING LINE)  
B: FOR MOLD RELATED DIMENSIONS (WITHIN MOLD COMPONENTS)

<b>ENTER DESCRIPTION</b> IEC NO. UAU2016-1693 DRAWN BY FISCHER01 2016/05/18 CHYK: APPR:RBAUMAN 2016/05/26 REV:	QUALITY SYMBOLS	GENERAL TOLERANCES (UNLESS SPECIFIED)	DIMENSION STYLE	SCALE	DESIGN UNITS	THIRD ANGLE PROJECTION
	▽=0	4 PLACES	mm INCH	5:1	METRIC	☉
	▽=0	3 PLACES		MM ONLY		
	▽=0	2 PLACES				
			DRAWN BY DATE	TITLE		
			JFISCHER01 2014/03/26	34 & 38 CKT MIN50 2-BAY VERTICAL HEADER ASSEMBLY SALES DRAWING		
			CHECKED BY DATE	DOCUMENT NO.		
				SD-34960-1200		
			APPROVED BY DATE	SHEET NO.		
			RBAUMAN 2014/03/31	2 OF 2		
			MATERIAL NO.	SIZE		
			SEE CHART	THIS DRAWING CONTAINS INFORMATION THAT IS PROPRIETARY TO MOLEX INCORPORATED AND SHOULD NOT BE USED WITHOUT WRITTEN PERMISSION		