

NOTES:

1. MATERIALS AND FINISHES:

- BODY - BRASS, NICKEL PLATING (0.000100 MIN THICK)
- INSULATOR - PTFE, NATURAL
- CONTACT-INNER - BRASS, GOLD PLATING (0.000050 MIN THICK)
- CONTACT-OUTER - BRASS, GOLD PLATING (0.000030 MIN THICK)
- HEX NUT - BRASS, NICKEL PLATING (0.000100 MIN THICK)
- LOCKWASHER - PHOSPHOR BRONZE, NICKEL PLATING (0.000100 MIN THICK)
- GASKET - SILICONE RUBBER, RED
- CLAMP - BRASS, SILVER PLATING (0.000200 MIN THICK)
- CLAMP NUT - BRASS, NICKEL PLATING (0.000100 MIN THICK)
- HEAT SHRINK TUBING - POLYOLEFIN
- FERRULE - COPPER, NICKEL PLATING (0.000100 MIN THICK)
- WASHER - BRASS, SILVER PLATING (0.000200 MIN THICK)

2. ELECTRICAL:

- A. IMPEDANCE: NON-CONSTANT CAN BE USED WITH 50, 75 AND 93 OHM TRIAXIAL CABLES
- B. FREQUENCY RANGE: DC - 500 MHz
- C. DIELECTRIC WITHSTANDING VOLTAGE: 5000 VRMS, MIN.

3. MECHANICAL:

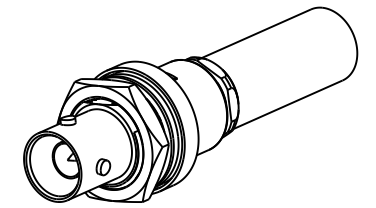
- A. TEMPERATURE RANGE: -65°C TO 165°C
- 4. FOR ASSEMBLY AND CABLE STRIPPING INSTRUCTIONS SEE 9-9950-233
- 5. FERRULE TO BE CRIMPED WITH 0.255" HEX DIE CONTACT TO BE SOLDERED.

6 SHOWS CABLE ENTRY DIMENSIONS.

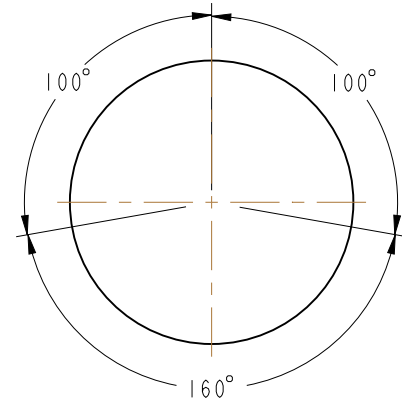
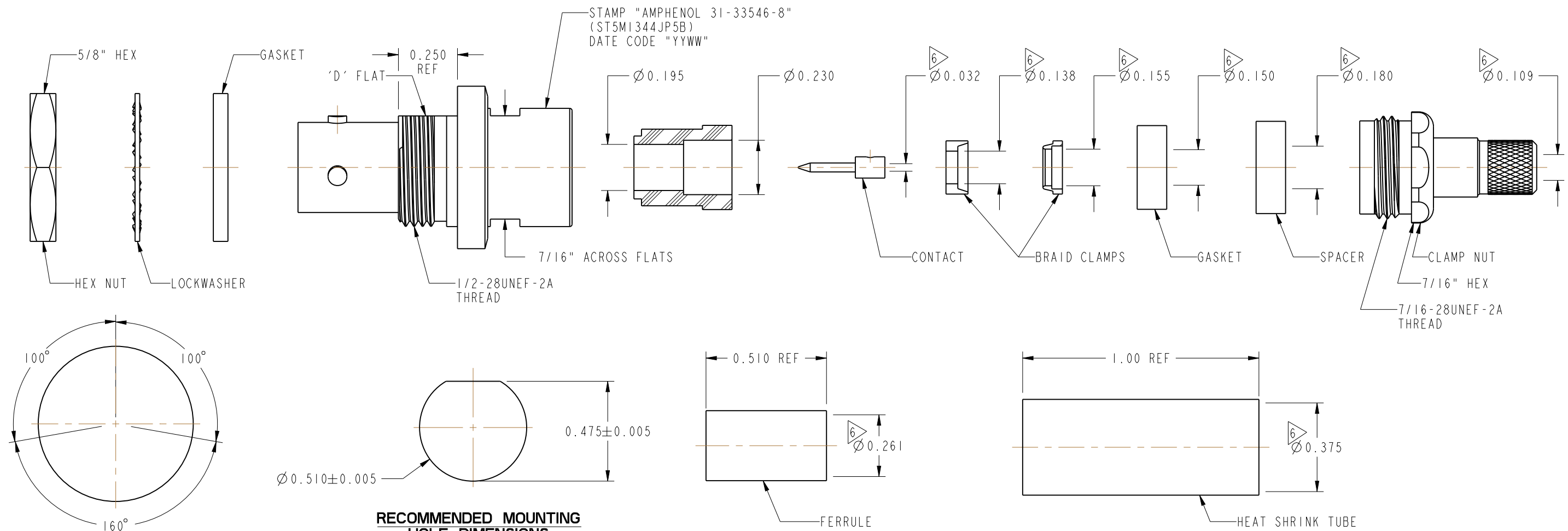
THIRD ANGLE PROJ.

REVISIONS

REV	DESCRIPTION	DATE	ECO	APPR
--	RELEASE TO MFG.	--	--	--
Y	REDRAWN IN PRO-E; ADDED PARENTHESIS TO STAMP; ADDED COD	09-Sep-11	48728	MJS
AA	ADD STAMP TO COD	13-Mar-12	48944	CPM
AB	FORMAT UPDATED TO BSIZE_GLOBAL & NOTE 6 ADDED	07-Nov-16	2361	VK



SCALE 1.000



**RECOMMENDED MOUNTING HOLE DIMENSIONS**

**CUSTOMER OUTLINE DRAWING**  
ALL OTHER SHEETS ARE FOR INTERNAL USE ONLY

<p>UNLESS OTHERWISE SPECIFIED, DIMENSIONS ARE IN INCHES AND TOLERANCES ARE:                  2 PLACE DECIMAL 3 PLACE DECIMAL ANGLES                  ±.015 (0,381 mm) ±.005 (0,127 mm) ± 1°</p> <p>NOTICE - These drawings, specifications, or other data (1) are, and remain the property of Amphenol corp. (2) must be returned upon request; and (3) are confidential and not to be disclosed to any person other than those to whom they are given by Amphenol Corp. the furnishing of these drawings, specifications, or other data by Amphenol Corp., or to any other person to anyone for any purpose is not to be regarded by implication or otherwise in any manner licensing, granting rights to permitting such holder or any other person to manufacture, use or sell any product, process or design, patented or otherwise, that may in any way be related to or disclosed by said drawings, specifications, or other data.</p>	<p>MATERIAL SEE NOTES</p>	<p>DRAWN M. SANCA</p> <p>ENGINEER K. CAPOZZI</p>	<p>DATE 10-Aug-11</p> <p>DATE 10-Aug-11</p>	<p>TITLE BNC STR BHD JACK FOR TRIAX CABLE, CLAMP TYPE</p>	<p>Amphenol RF www.amphenolrf.com</p>
	<p>REFERENCE McDONNELL DOUGLAS SPEC. ST5M1344 JP5B</p> <p>CONFIGURATION LEVEL: In Work</p> <p>FINISH</p>	<p>APPROVED K. CAPOZZI</p> <p>CAD FILE</p>	<p>DATE 07-Nov-16</p>		