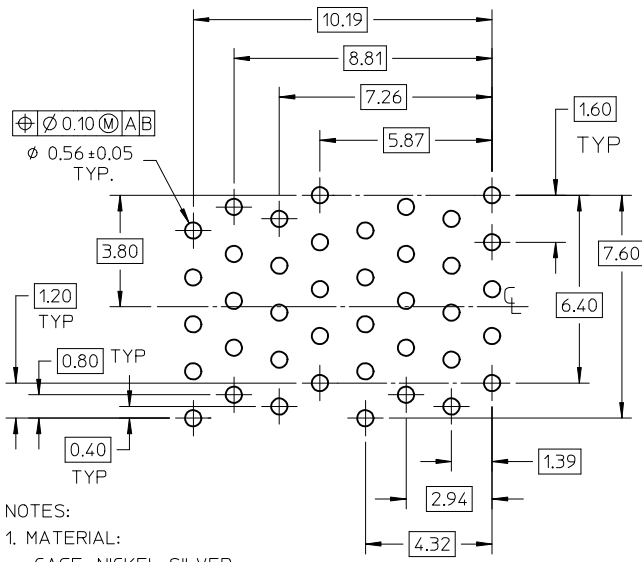
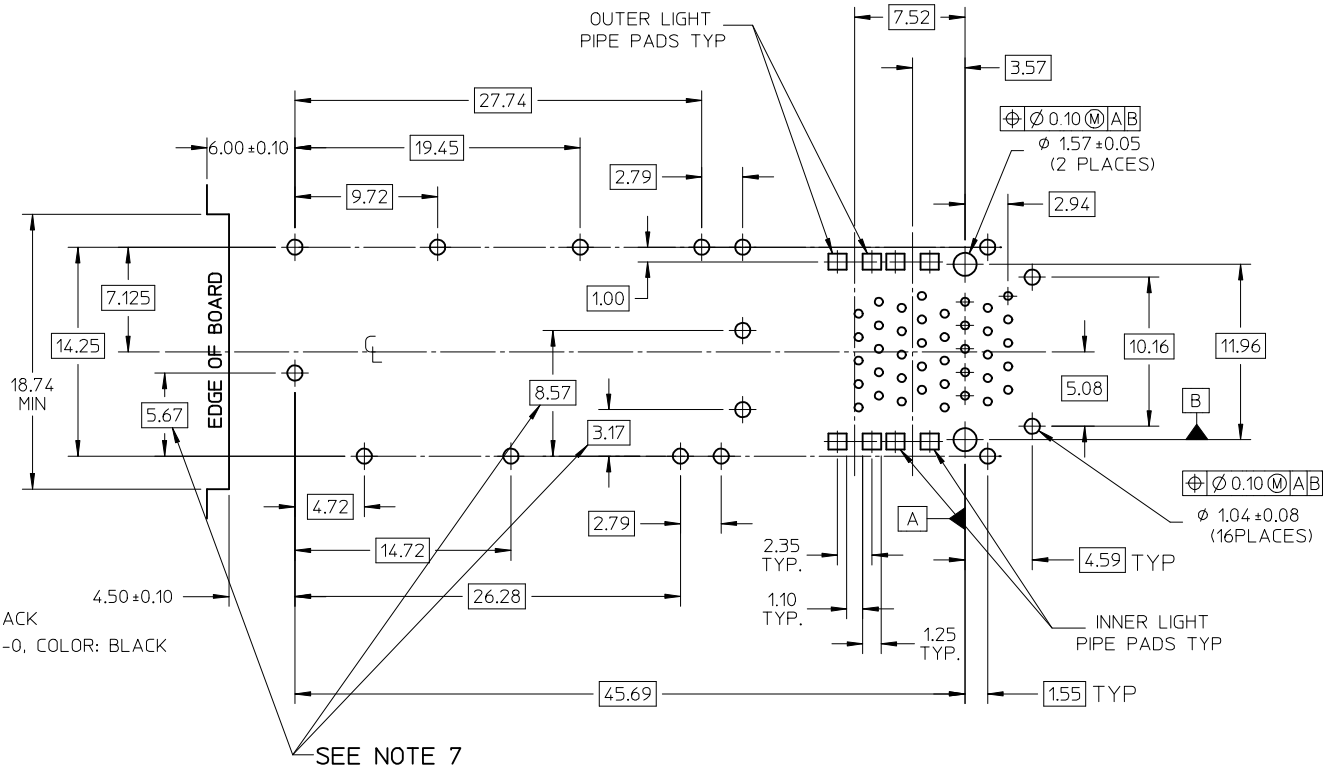


ADD NOTE 8 EC NO: UCP2008-0867 DRAWN BY: IRARRA 2007/11/13 CHKD: BBARKER 2007/11/30 APPR: SMILLER 2007/12/03	QUALITY SYMBOLS ▽=0 ▽=0	GENERAL TOLERANCES (UNLESS SPECIFIED) <table border="1"> <thead> <tr> <th></th> <th>mm</th> <th>INCH</th> </tr> </thead> <tbody> <tr> <td>4 PLACES</td> <td>± ---</td> <td>± ---</td> </tr> <tr> <td>3 PLACES</td> <td>± ---</td> <td>± ---</td> </tr> <tr> <td>2 PLACES</td> <td>± 0.25</td> <td>± ---</td> </tr> <tr> <td>1 PLACE</td> <td>± ---</td> <td>± ---</td> </tr> </tbody> </table> ANGULAR ± 5 °		mm	INCH	4 PLACES	± ---	± ---	3 PLACES	± ---	± ---	2 PLACES	± 0.25	± ---	1 PLACE	± ---	± ---	DIMENSION STYLE MM ONLY	SCALE 3:1	DESIGN UNITS METRIC	THIRD ANGLE PROJECTION
		mm	INCH																		
	4 PLACES	± ---	± ---																		
	3 PLACES	± ---	± ---																		
2 PLACES	± 0.25	± ---																			
1 PLACE	± ---	± ---																			
DRAWN BY: JLONG CHECKED BY: JLONG APPROVED BY: REGNIER	DATE: 08-28-03 DATE: 08-28-03 DATE: 08-29-03	TITLE STACKED SFP 2X1 TALL ASSEMBLY WITH SOLDER TAILS AND LIGHT PIPES																			
MATERIAL NO. 753100001	DOCUMENT NO. SD-75310-100	Molex MOLEX INCORPORATED																			
DRAFT WHERE APPLICABLE MUST REMAIN WITHIN DIMENSIONS	SIZE B	THIS DRAWING CONTAINS INFORMATION THAT IS PROPRIETARY TO MOLEX INCORPORATED AND SHOULD NOT BE USED WITHOUT WRITTEN PERMISSION																			

TERMINAL TAIL PATTERN



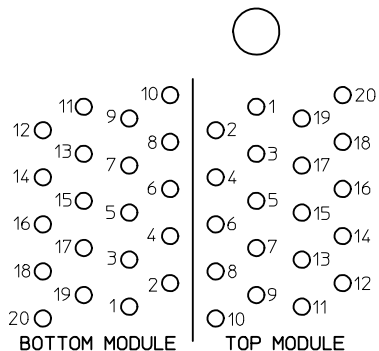
- NOTES:
1. MATERIAL:
 - CAGE: NICKEL SILVER
 - SFP HOUSING: GLASS FILLED THERMOPLASTIC,UL: 94 V-0, COLOR: BLACK
 - OVERMOLD FOR TERMINALS: GLASS FILLED THERMOPLASTIC,UL: 94 V-0, COLOR: BLACK
 - LIGHT PIPE HOUSING: ZINC
 - LIGHT PIPE: POLYCARBONATE UL: 94 V-0, COLOR: CLEAR
 - TERMINALS: BRASS
 - GASKET: CONDUCTIVE SILICONE
 2. FINISHES:
 - LIGHT PIPE HOUSING: 2.03 MICROMETERS MINIMUM NICKEL OVER 0.76 MICROMETERS MINIMUM COPPER
 - TERMINALS:
 - CONTACT AREA: 0.76 MICROMETERS MINIMUM HARD GOLD OVER NICKEL.
 - SOLDER TAIL: 1.90 MICROMETERS MINIMUM TIN OVER NICKEL.



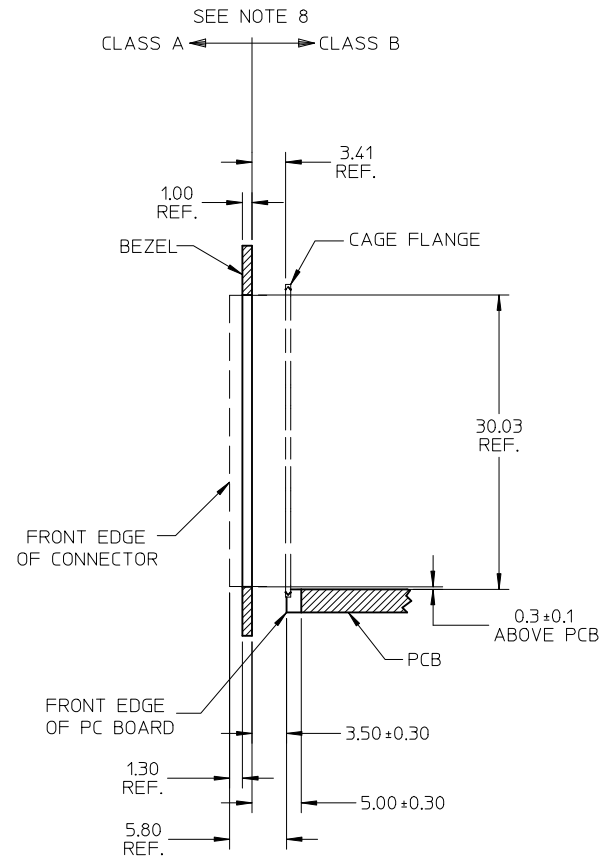
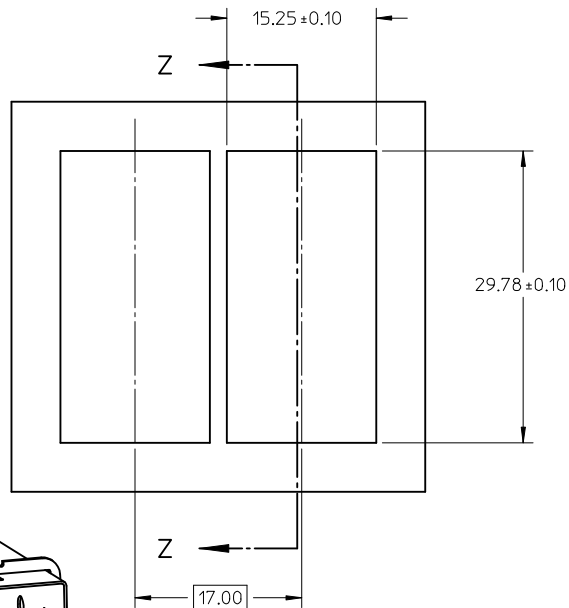
RECOMMENDED PCB LAYOUT
PCB THICKNESS 2.36
COMPONENT SIDE

3. REFER TO PS-75310-001 PRODUCT SPEC FOR ALL ELECTRICAL, MECHANICAL AND ENVIRONMENTAL SPECIFICATIONS.
4. REFER TO PK-75310-001 FOR ALL PACKAGING SPECIFICATIONS.
5. PROCESSING: WAVE SOLDER (NOT REFLOW COMPATIBLE).
6. LIGHT PIPE PAD LAYOUT SHOWN IS FOR AN 0805 LOW-PROFILE LED PACKAGE. FOR OTHER RECOMMENDED LAYOUTS REFER TO MOLEX'S REPORT TS-75310-001.
7. THE CURVED TAILS THAT GO INTO THE HOLES LOCATED BY THESE DIMENSIONS ARE BEING ELIMINATED. TO ACCOMMODATE THIS CONVERSION, IT IS RECOMMENDED THAT BOARDS DESIGNED TO THIS PRINT REVISION INCLUDE THESE HOLES.
8. PART COMPLIES WITH COSMETIC SPECIFICATION PS-45499-002. SEE SHEET 3 SECTION Z-Z FOR SURFACE CLASSIFICATIONS. UNDERSIDE OF CAGE COMPLIES WITH CLASS "C".

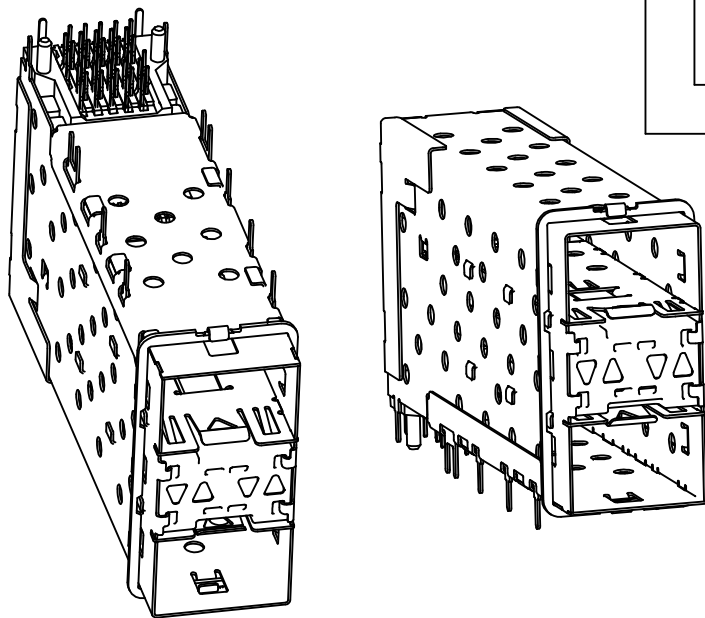
ADD NOTE 8 EC NO: UCP2008-0867 DRW:MS IBARRA 2007/11/13 CHKD:BBARKER 2007/11/20 APPR:SMILLER 2007/12/03	QUALITY SYMBOLS ▽=0 ▽=0	GENERAL TOLERANCES (UNLESS SPECIFIED)		DIMENSION STYLE MM ONLY		SCALE 3:1	DESIGN UNITS METRIC	THIRD ANGLE PROJECTION	
		4 PLACES	± ---	± ---	DRAWN BY JLONG	DATE 08-28-03	TITLE STACKED SFP 2X1 TALL ASSEMBLY WITH SOLDER TAILS AND LIGHT PIPES		
		3 PLACES	± ---	± ---	CHECKED BY JLONG	DATE 08-28-03			
		2 PLACES	± 0.25	± ---	APPROVED BY REGNIER	DATE 08-29-03	MOLEX INCORPORATED		
1 PLACE	± ---	± ---	MATERIAL NO. 753100001		DOCUMENT NO. SD-75310-100		SHEET NO. 2 OF 3		
DRAFT WHERE APPLICABLE MUST REMAIN WITHIN DIMENSIONS				THIS DRAWING CONTAINS INFORMATION THAT IS PROPRIETARY TO MOLEX INCORPORATED AND SHOULD NOT BE USED WITHOUT WRITTEN PERMISSION					



CONNECTOR PIN-OUT
COMPONENT SIDE OF BOARD



SECTION Z-Z



COSMETIC CLASS EC NO: UCP2008-0867 DRWN:MSIBARRA 2007/11/13 CHKD:BBARKER 2007/11/30 APPR:SMILLER 2007/12/03	QUALITY SYMBOLS	GENERAL TOLERANCES (UNLESS SPECIFIED)	SCALE 2:1	DESIGN UNITS METRIC	THIRD ANGLE PROJECTION	REVISE ON CAD ONLY
	DESCRIPTION ▽ - 0 ∇ - 0	mm INCH	DIMENSION STYLE MM ONLY		TITLE	
		4 PLACES ± --- ± ---	DRAWN BY JLONG	DATE 08-28-03	STACKED SFP 2X1 TALL ASSEMBLY WITH SOLDER TAILS AND LIGHT PIPES	
		3 PLACES ± --- ± ---	CHECKED BY JLONG	DATE 08-28-03		
2 PLACES ± 0.25 ± ---	APPROVED BY REGNIER	DATE 08-29-03	MATERIAL NO. 753100001	DOCUMENT NO. SD-75310-100	SHEET NO. 3 OF 3	
1 PLACE ± --- ± ---	ANGULAR ± 5 °	DRAFT WHERE APPLICABLE MUST REMAIN WITHIN DIMENSIONS		THIS DRAWING CONTAINS INFORMATION THAT IS PROPRIETARY TO MOLEX INCORPORATED AND SHOULD NOT BE USED WITHOUT WRITTEN PERMISSION		