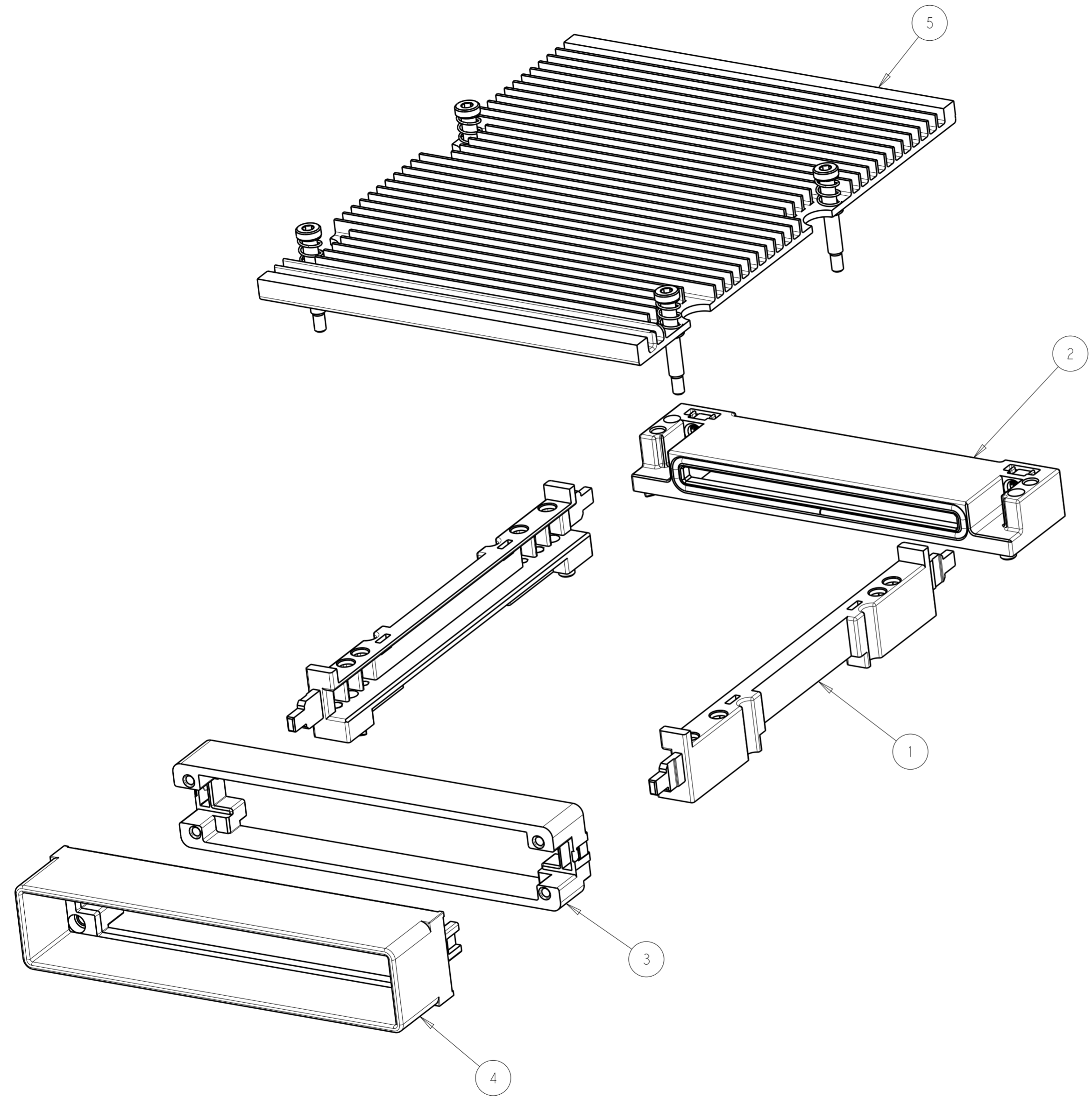



THIS DRAWING IS UNPUBLISHED. RELEASED FOR PUBLICATION 20
 © COPYRIGHT 20 BY - ALL RIGHTS RESERVED.

REVISIONS				
P	LTR	DESCRIPTION	DATE	APVD
	A	RELEASED	18SEP2013	CJV MRS



1	2274283-1	HEATSINK ASSEMBLY	5
1	2057626-1	EXTERNAL BRACKET ASSEMBLY	4
1	2057930-1	BACKER PLATE ASSEMBLY	3
1	2057631-1	CONNECTOR COVER ASSEMBLY	2
2	2057592-2	GUIDE RAIL	1
-1	PART NUMBER	DESCRIPTION	ITEM NO

THIS DRAWING IS A CONTROLLED DOCUMENT.		DWN C. VALENTINE 18SEP2013	 TE Connectivity	
DIMENSIONS: mm		CHK M. SCHMITT 18SEP2013		
TOLERANCES UNLESS OTHERWISE SPECIFIED:		APVD M. SCHMITT 18SEP2013	NAME CFP HARDWARE KIT W/ HEATSINK, SIDE TO SIDE AIRFLOW	
0 PLC ±- 1 PLC ±0.5 2 PLC ±0.13 3 PLC ±0.013 4 PLC ±0.0001 ANGLES ±- FINISH -		PRODUCT SPEC 108-2399	RESTRICTED TO	
MATERIAL -		APPLICATION SPEC 114-13263	SIZE A2	CAGE CODE G-2274284
-		WEIGHT -	SCALE 3:2	SHEET 1 OF 1
-		Customer Drawing	REV A	