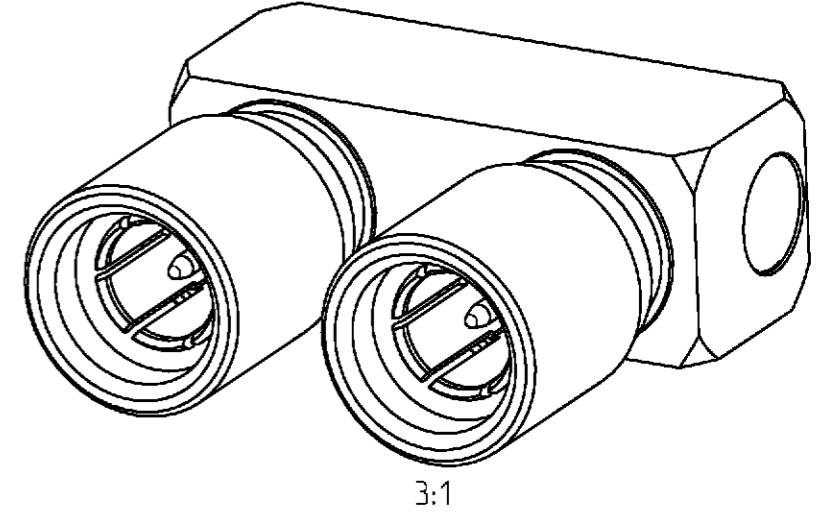
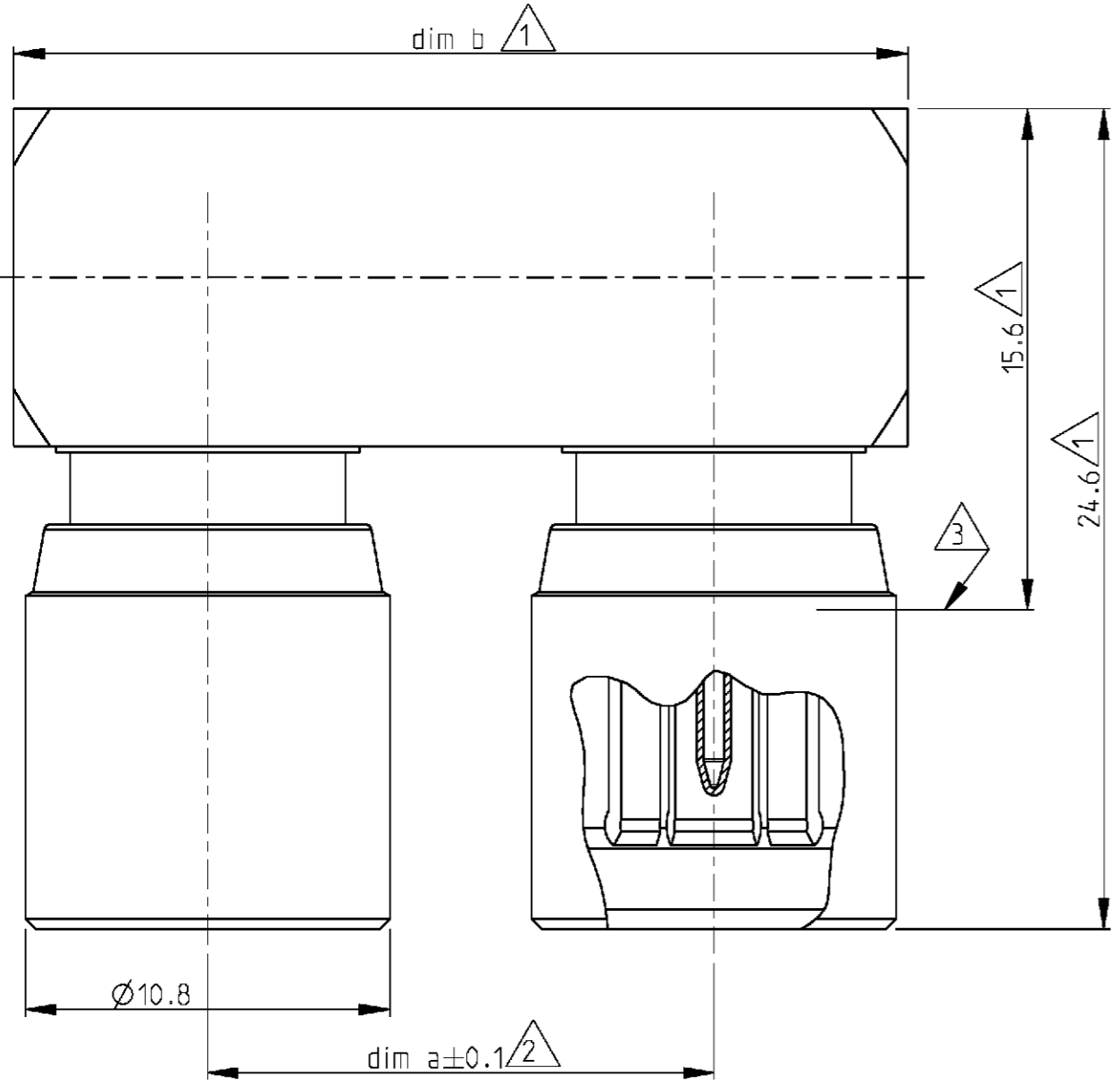


THIS DRAWING IS UNPUBLISHED. RELEASED FOR PUBLICATION 2000
 © COPYRIGHT 2000 BY TYCO ELECTRONICS CORPORATION. ALL RIGHTS RESERVED.

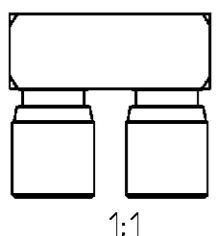
LOC	DIST	REVISIONS				
P	LTR	DESCRIPTION	DATE	DWN	APVD	
GW	-	A	-	05APR2001	BL	KM
		A1	REV PER ECO-09-026495	30NOV09	KK	AEG



Cross reference table						
Old part number	Tyco part number	Description	Material	Plating	dim a	dim b
C42334-A81-A30	1393681-2	Outer conductor	CuBe	1 µm Au min in contact area	30	41.5
		Center conductor	CuBe/CuSn6	1 µm Au min in contact area		
		Dielectric	PEEK/PTFE	-		
C42334-A81-A28	1393681-1	Outer conductor	CuBe	1 µm Au min in contact area	15	26.5
		Center conductor	CuBe/CuSn6	1 µm Au min in contact area		
		Dielectric	PEEK/PTFE	-		

5 OBSOLETE

- 5** OBSOLETE PARTS: OBSOLETE CIS STREAMLINING PER D.RENAUD/D.SINISI
- 4) Mating face according to DIN 47295/ CECC 22240
- 3** Reference plane
- 2** Installation dimension
- 1** Maximum dimension



<small>THIS DRAWING IS A CONTROLLED DOCUMENT FOR TYCO ELECTRONICS CORPORATION. IT IS SUBJECT TO CHANGE AND THE CONTROLLING ENGINEERING ORGANIZATION SHOULD BE CONTACTED FOR THE LATEST REVISION.</small>		DWN 05MAR2001 B. Lenvain		Tyco Electronics Oostkamp - Belgium	
DIMENSIONS: mm		TOLERANCES UNLESS OTHERWISE SPECIFIED:		NAME U- Link 1.6/5.6 75 ohm	
		0 PLC ± 1 PLC ±± 2 PLC ±±± 3 PLC ±±±± 4 PLC ±±±±± ANGLES ±		PRODUCT SPEC - APPLICATION SPEC - WEIGHT -	
MATERIAL -		FINISH -		SIZE A3 CAGE CODE 00779 DRAWING NO C-1393681-1 RESTRICTED TO -	
CUSTOMER DRAWING				SCALE 5/1 SHEET 1 OF 1 REV A1	