

GABRIELLA-MIDI-S

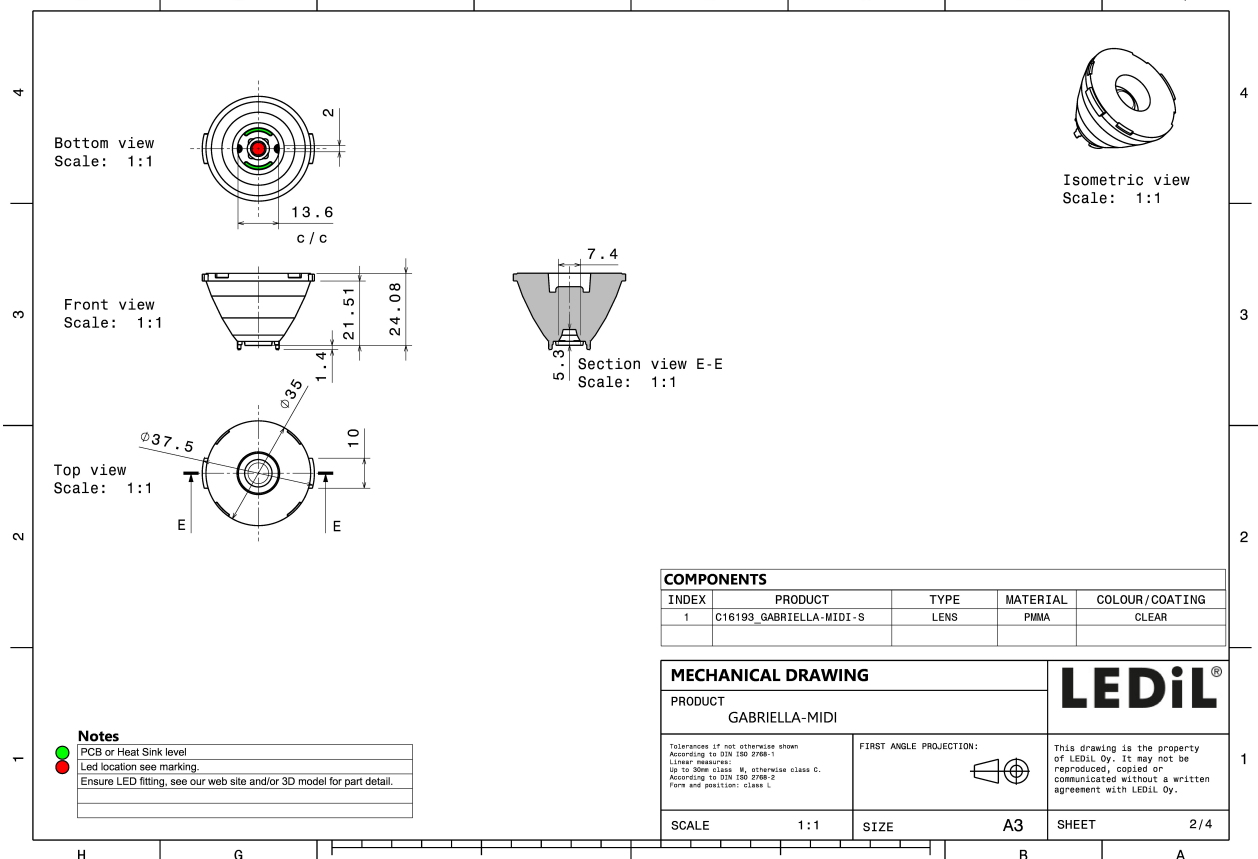
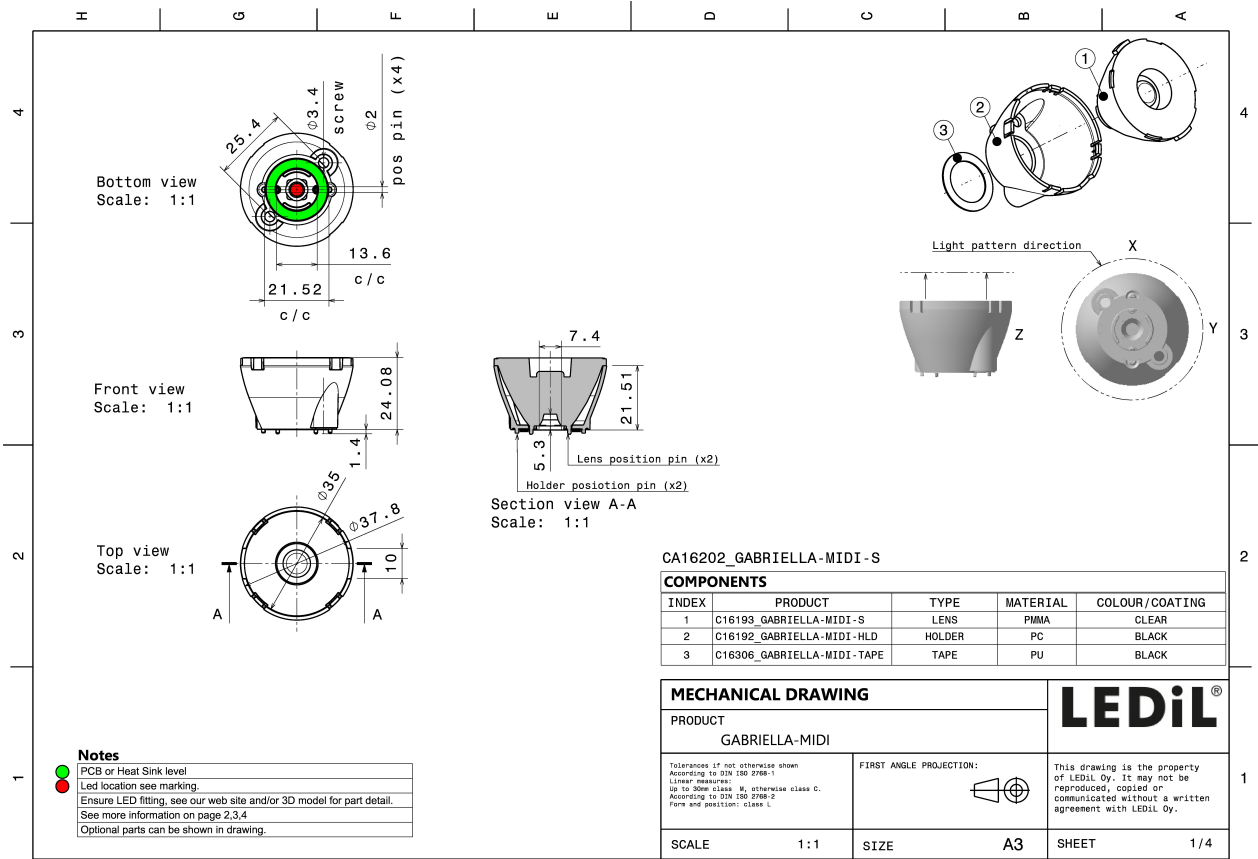
TECHNICAL SPECIFICATIONS:

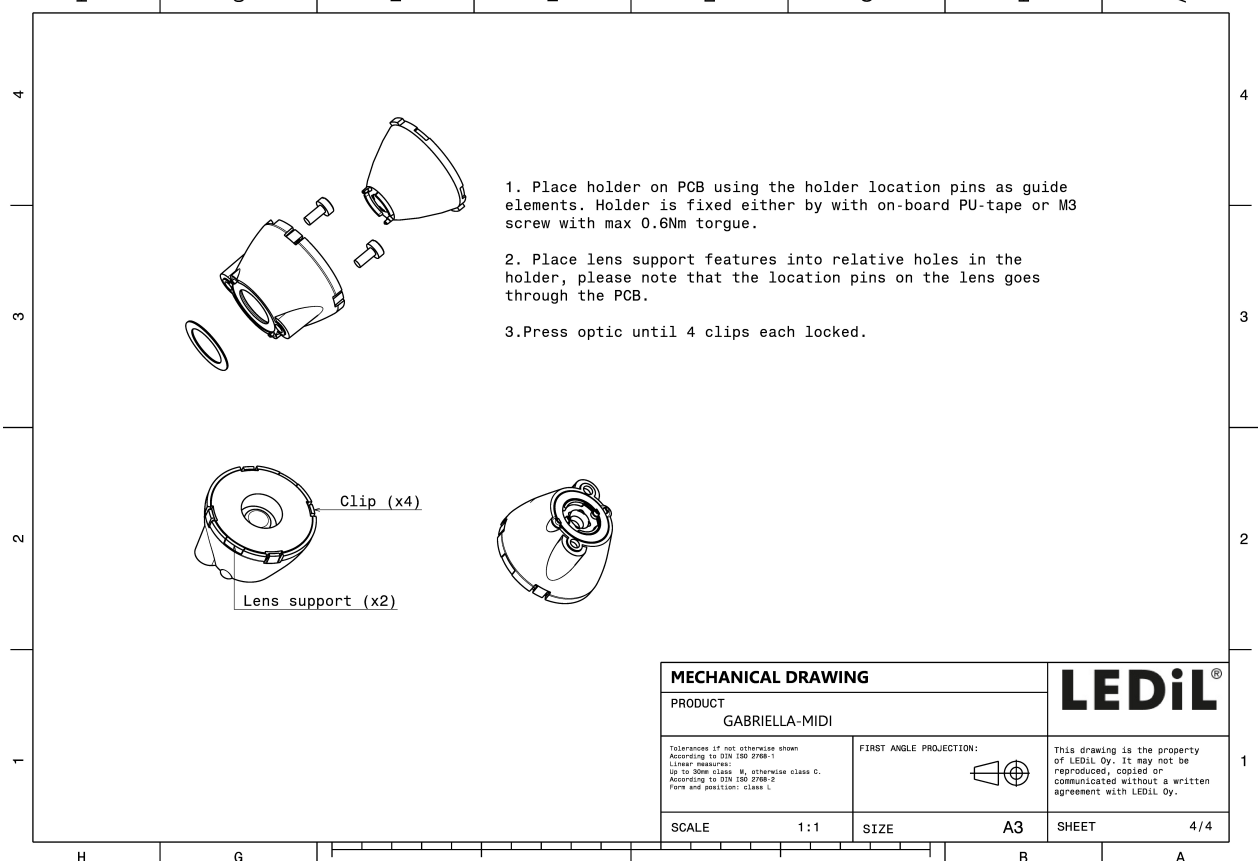
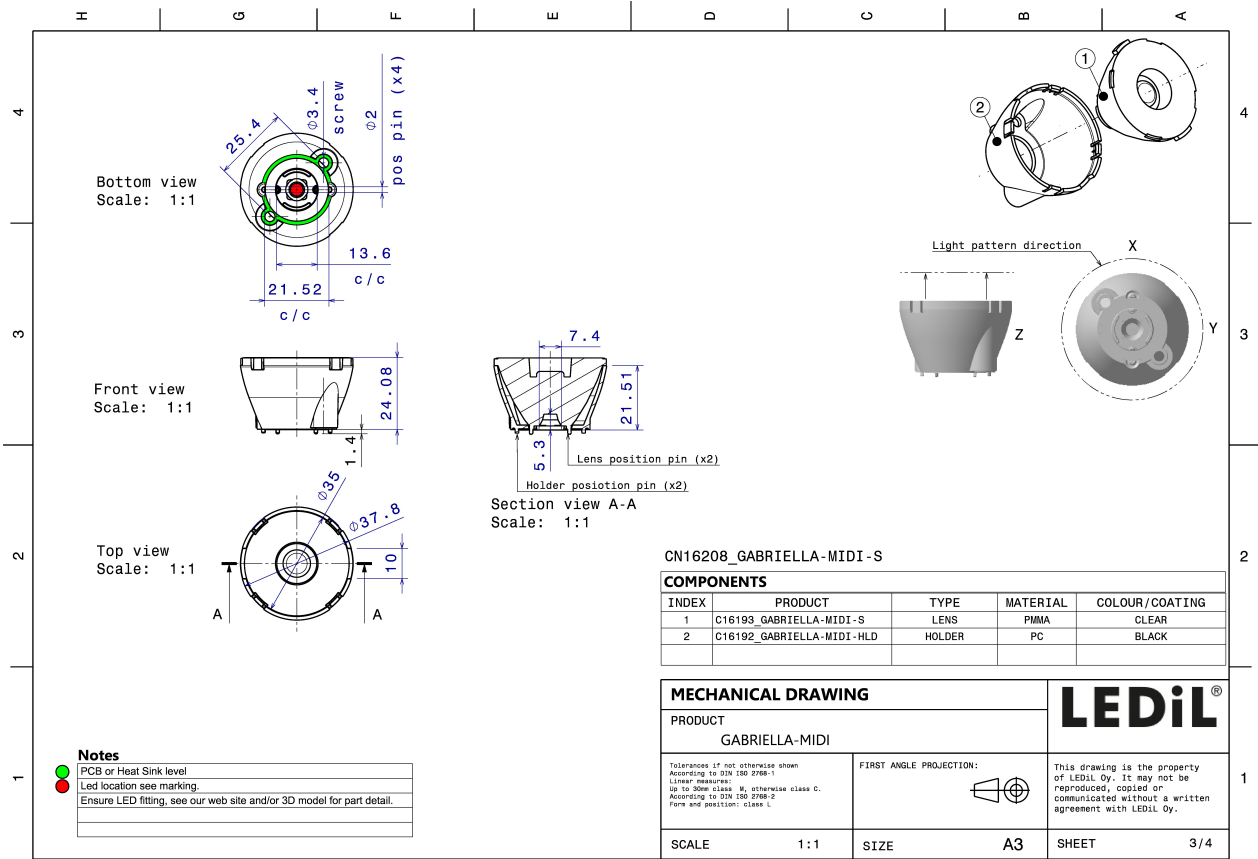
Dimensions	Ø 37.8 mm
Height	24.1 mm
Fastening	tape, pin
Colour	black
Box size	476 x 273 x 292 mm
Box weight	11.7 kg
Quantity in Box	500 pcs
ROHS compliant	yes ⓘ



MATERIAL SPECIFICATIONS:

Component	Type	Material	Colour
GABRIELLA-MIDI-S	Lens	PMMA	clear
GABRIELLA-MIDI-HLD	Holder	PC	black
GABRIELLA-MIDI-TAPE	Tape	PU tape	black

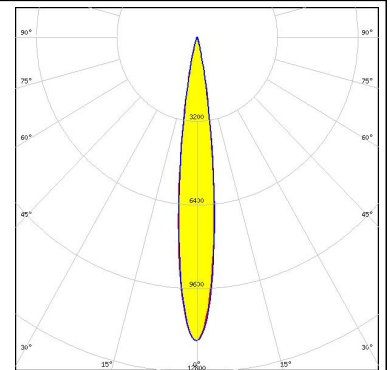
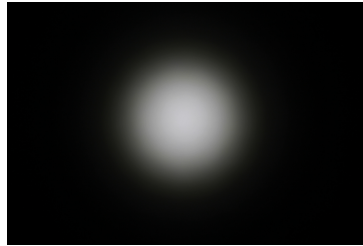




PHOTOMETRIC DATA (MEASURED):

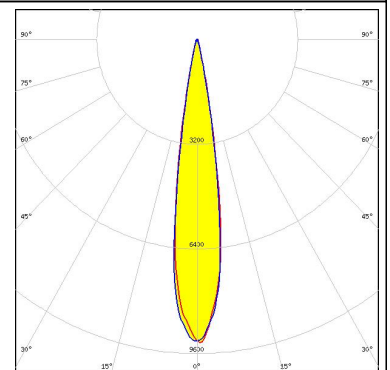
LUMILEDS

LED LUXEON 5050
 FWHM 14.0°
 Efficiency 91 %
 Peak intensity 12.600 cd/lm
 Required components:



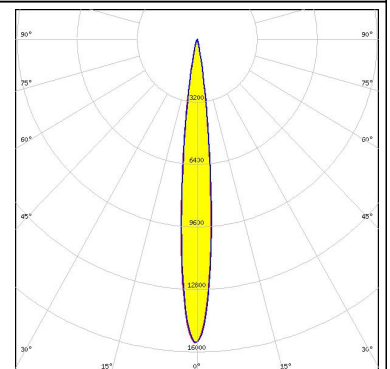
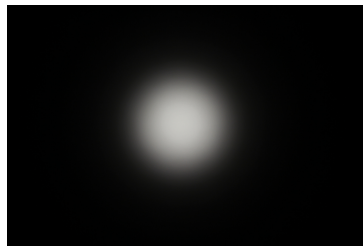
LUMILEDS

LED LUXEON CZ RGBW
 FWHM 16.0°
 Efficiency 89 %
 Peak intensity 9.300 cd/lm
 Required components:



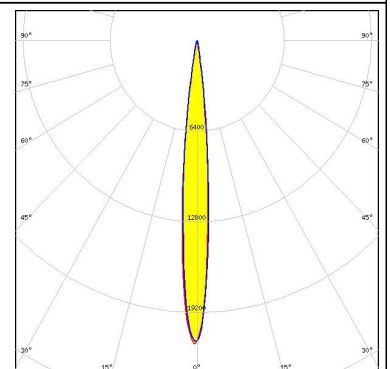
LUMILEDS

LED LUXEON V
 FWHM 11.0°
 Efficiency 89 %
 Peak intensity 15.500 cd/lm
 Required components:



LUMINUS

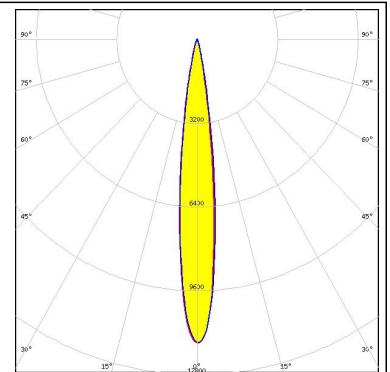
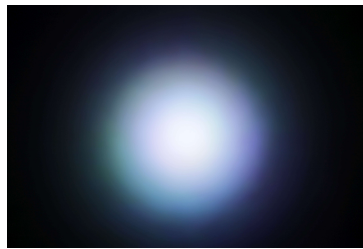
LED SBM-40-RGBW
 FWHM 10.0°
 Efficiency 89 %
 Peak intensity 21.500 cd/lm
 Required components:



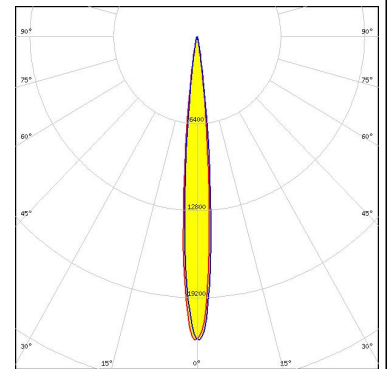
PHOTOMETRIC DATA (MEASURED):



LED DMC E17A RGBW
FWHM 13.0°
Efficiency 92 %
Peak intensity 11.600 cd/lm
Required components:



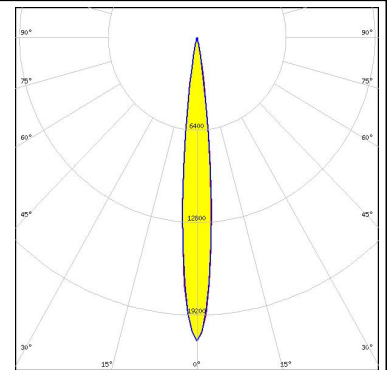
LED OSTAR Stage (S2WP)
FWHM 10.0°
Efficiency 91 %
Peak intensity 22.000 cd/lm
Required components:



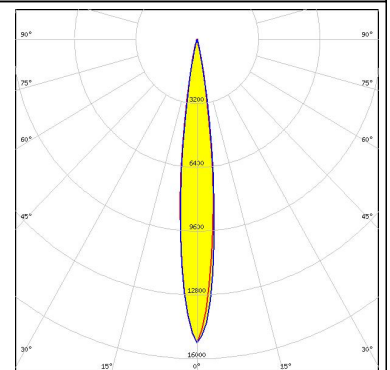
PHOTOMETRIC DATA (SIMULATED):



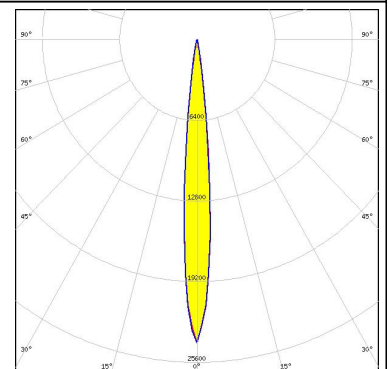
LED XHP35 HI
 FWHM 11.0°
 Efficiency 94 %
 Peak intensity 21.000 cd/lm
 Required components:



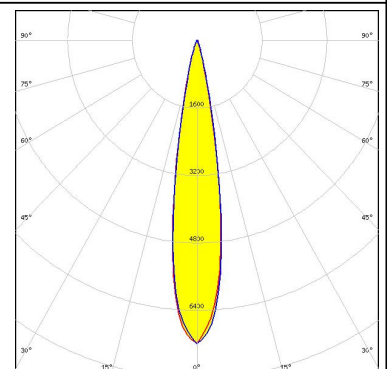
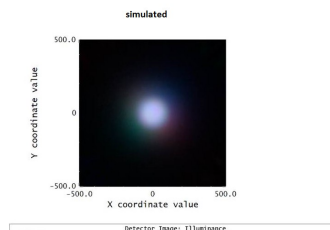
LED XM-L RGB
 FWHM 13.0°
 Efficiency 93 %
 Peak intensity 15.200 cd/lm
 Required components:



LED XT-E
 FWHM 10.0°
 Efficiency 91 %
 Peak intensity 24.060 cd/lm
 Required components:



LED LUXEON C RGBW
 FWHM 18.0 + °
 Efficiency 86 %
 Peak intensity 7.200 cd/lm
 Required components:



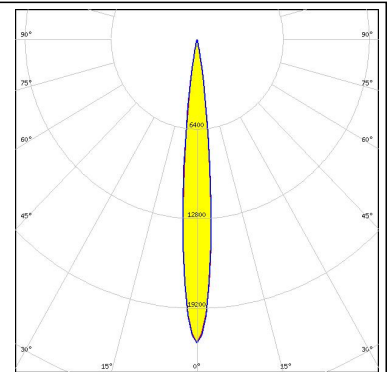
PHOTOMETRIC DATA (SIMULATED):

<p>LUMILEDS</p> <p>LED LUXEON Z RGB</p> <p>FWHM 11.0°</p> <p>Efficiency 91 %</p> <p>Peak intensity 21.000 cd/lm</p> <p>Required components:</p>	
<p>OSRAM Opto Semiconductors</p> <p>LED Duris S8</p> <p>FWHM 14.0°</p> <p>Efficiency 92 %</p> <p>Peak intensity 13.500 cd/lm</p> <p>Required components:</p>	
<p>OSRAM Opto Semiconductors</p> <p>LED OSCONIQ P 3737 (2W version)</p> <p>FWHM 10.0°</p> <p>Efficiency 94 %</p> <p>Peak intensity 25.690 cd/lm</p> <p>Required components:</p>	
<p>OSRAM Opto Semiconductors</p> <p>LED Oslon Square Gen3</p> <p>FWHM 10.0°</p> <p>Efficiency 93 %</p> <p>Peak intensity 25.260 cd/lm</p> <p>Required components:</p>	

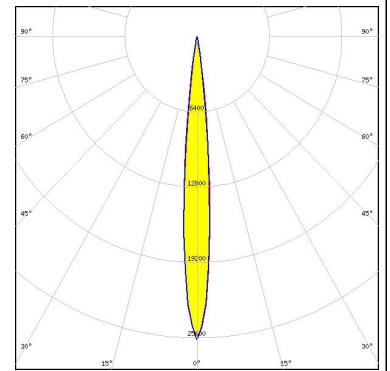
PHOTOMETRIC DATA (SIMULATED):

SAMSUNG

LED LH351B
FWHM 11.0°
Efficiency 93 %
Peak intensity 21.670 cd/lm
Required components:



LED Z5M1/Z5M2
FWHM 10.0°
Efficiency 93 %
Peak intensity 25.780 cd/lm
Required components:



GENERAL INFORMATION:

NOTE: The typical beam angle will be changed by different color, chip size and chip position tolerance. The typical total beam angle is the full angle measured where the luminous intensity is half of the peak value.

MATERIALS:

As part of our continuous research and improvement processes, and to ensure the best possible quality and availability of our products, LEDiL reserves the right to change material grades without notice.

PRODUCT DATA USER AGREEMENT AND DISCLAIMER:

The measured data in the provided downloadable LEDiL Product Datasheets and Mechanical 2D-Drawings is rounded and provided as reference for planning. LEDiL Oy's optical specifications have been verified by conducting performance testing of the products in accordance with the company's quality system. The reported data are averaged results of multiple measurements with typical variation. LEDiL Oy reserves the right to without prior notification make changes and improvements to its products.

LEDiL Oy assumes neither warranty, nor guarantee nor any other liability of any kind for the contents and correctness of the provided data. The provided data has been generated with highest diligence but the provided data may in reality not represent the complete possible variation range of all intrinsic parameters. Therefore, in certain cases a deviation from the provided data could occur.

LEDiL Oy reserves the right to undertake technical changes of its products without further notification which could lead to changes in the provided data. LEDiL Oy assumes no liability of any kind for the possible deviation from any provided data or any other damage resulting from the usage of the provided data.

The user agrees to this disclaimer and user agreement with the download or usage of the provided files.

LEDiL Oy

Joensuunkatu 13
FI-24240 SALO
Finland

LEDiL Inc.

228 West Page Street
Suite D
Sycamore IL 60178
USA

Local sales and technical support

[www.ledil.com/
where_to_buy](http://www.ledil.com/where_to_buy)

Shipping locations

Salo, Finland
Hong Kong, China

Distribution Partners

[www.ledil.com/
where_to_buy](http://www.ledil.com/where_to_buy)