

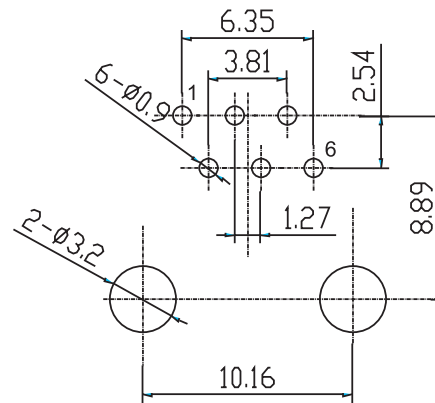
1

2

3

4

5



PCB LAYOUT - COMPONENT VIEW

## TECHNICAL CHARACTERISTICS

**MATERIAL**  
 INSULATOR MATERIAL: PBT  
 FLAMMABILITY RATING: UL94-V0  
 COLOR: BLACK  
 CONTACT MATERIAL: COPPER ALLOY  
 CONTACT TYPE: STAMPED  
 CONTACT PLATING: GOLD  
 SHIELDING: BRONZE NI PLATED  
 QUALITY CLASS: 500 MATING CYCLES

**ENVIRONMENTAL**  
 OPERATING TEMPERATURE: -40 °C UP TO 85 °C  
 COMPLIANCE: LEAD FREE AND ROHS

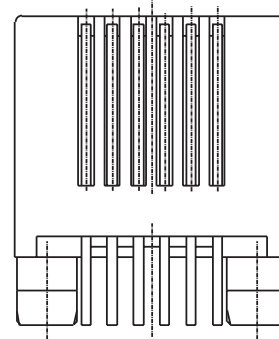
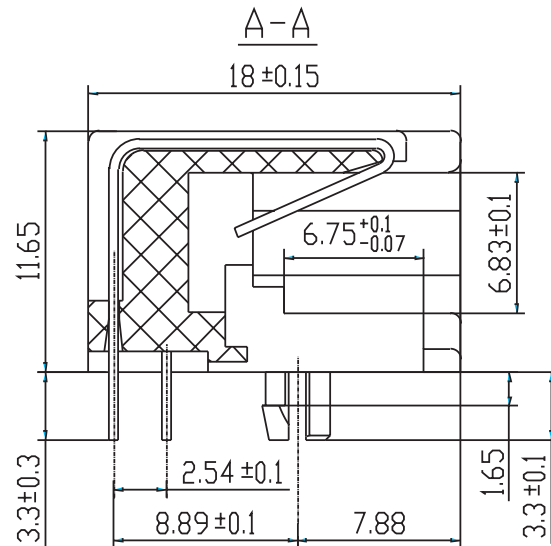
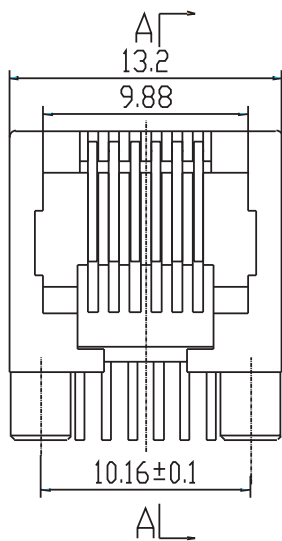
**ELECTRICAL**  
 CURRENT RATING: 1.5 A  
 WORKING VOLTAGE: 120 VAC  
 INSULATION RESISTANCE: >500 MΩ  
 DIELECTRIC WITHSTANDING VOLTAGE: 1 000 VAC/MIN  
 CONTACT RESISTANCE: 20 mΩ MAX

## STANDARD

 CERTIFIED: E324776

**SOLDERING**  
 JEDEC LEAD FREE WAVE SOLDERING PROCESS

**PACKAGING**  
 TRAY



RoHS Compliant

| REV | DATE      | FILE           | BY |
|-----|-----------|----------------|----|
| G   |           |                |    |
| F   |           |                |    |
| E   | 28-JUL-14 | GENERAL UPDATE | AS |
| D   | 03-JAN-13 | TPK DWG ADD    | QL |
| C   | 27-SEP-13 | TEMP UPDATE    | QL |
| B   | 07-OCT-09 | UL STANDARD    | JP |
| A   | 01-OCT-08 | PDF            | CH |

PROJECTION:



APPROVAL: JTs

GENERAL TOLERANCE

.X= +/- 0.2

.XX= +/- 0.15

UNIT:MM

SCALE:

SHEET: 1/3

DRAW:



DESCRIPTION: HORIZONTAL PLASTIC 6P6C MODULAR JACK TAB DOWN

WERI PART NO: 615 006 141 121

SIZE

**A4**

1

2

3

4

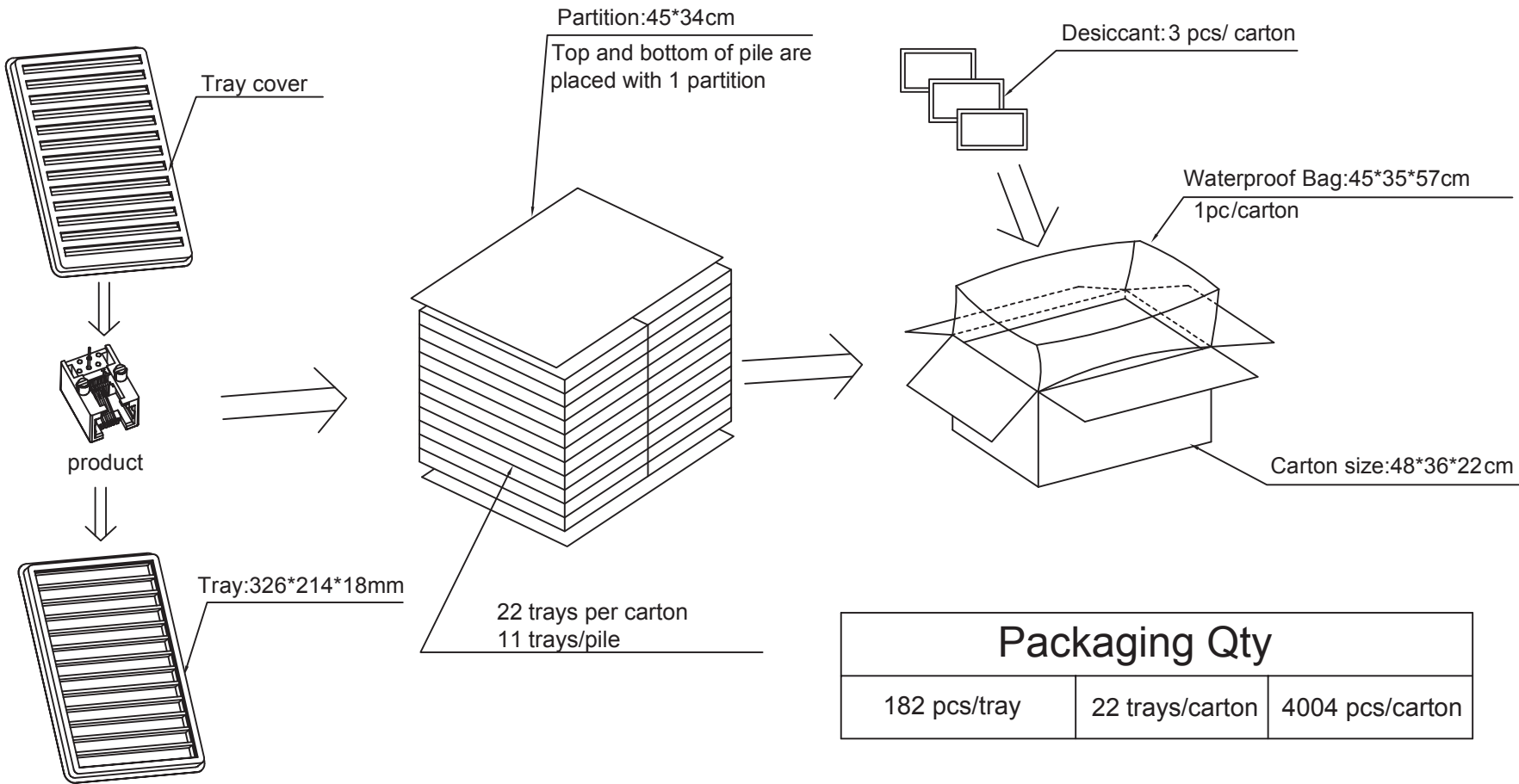
5

A

B

C

D



|                |      |      |    |
|----------------|------|------|----|
| RoHS Compliant |      |      |    |
| G              |      |      |    |
| F              |      |      |    |
| E              |      |      |    |
| D              |      |      |    |
| C              |      |      |    |
| B              |      |      |    |
| A              |      |      |    |
| REV            | DATE | FILE | BY |

PROJECTION:

GENERAL TOLERANCE

.X = +/- 0.2

.XX = +/- 0.15



APPROVAL: JTs

UNIT: MM

SCALE:

SHEET: 2/3

DRAW:

DESCRIPTION: HORIZONTAL PLASTIC 6P6C MODULAR JACK TAB DOWN

WERI PART NO: 615 006 141 121

SIZE

**A4**

1

2

3

4

5

## Cautions and Warnings:

This electronic component is designed and developed with the intention for use in general electronics equipments.

Before incorporating the components into any equipments in the field such as aerospace, aviation, nuclear control, submarine, transportation, (automotive control, train control, ship control), transportation signal, disaster prevention, medical, public information network etc. where higher safety and reliability are especially required or if there is possibility of direct damage or injury to human body, Würth Elektronik must be asked for a written approval.

In addition, even electronic component in general electronic equipments, when used in electrical circuits that require high safety, reliability functions or performance, the sufficient reliability evaluation-check for the safety must be performed before by the user before usage.

A

B

C

RoHS Compliant

|     |           |      |    |  |   |   |                   |
|-----|-----------|------|----|--|---|---|-------------------|
| G   |           |      |    | PROJECTION:<br> | GENERAL TOLERANCE<br>.X = +/- 0.2<br>.XX = +/- 0.15 |  |                   |
| F   |           |      |    |  |   |   |                   |
| E   |           |      |    |  |   |   |                   |
| D   |           |      |    |  |   |   |                   |
| C   |           |      |    | APPROVAL: JC   | UNIT: MM  | DESCRIPTION: DISCLAIMER   | SIZE<br><b>A4</b> |
| B   |           |      |    |  | SCALE:  |   |                   |
| A   | 10-SEP-14 | PDF  | QL |  | SHEET: 3/3  | WERI PART NO: DISCLAIMER  |                   |
| REV | DATE      | FILE | BY |  | DRAW: QL  |   |                   |

D