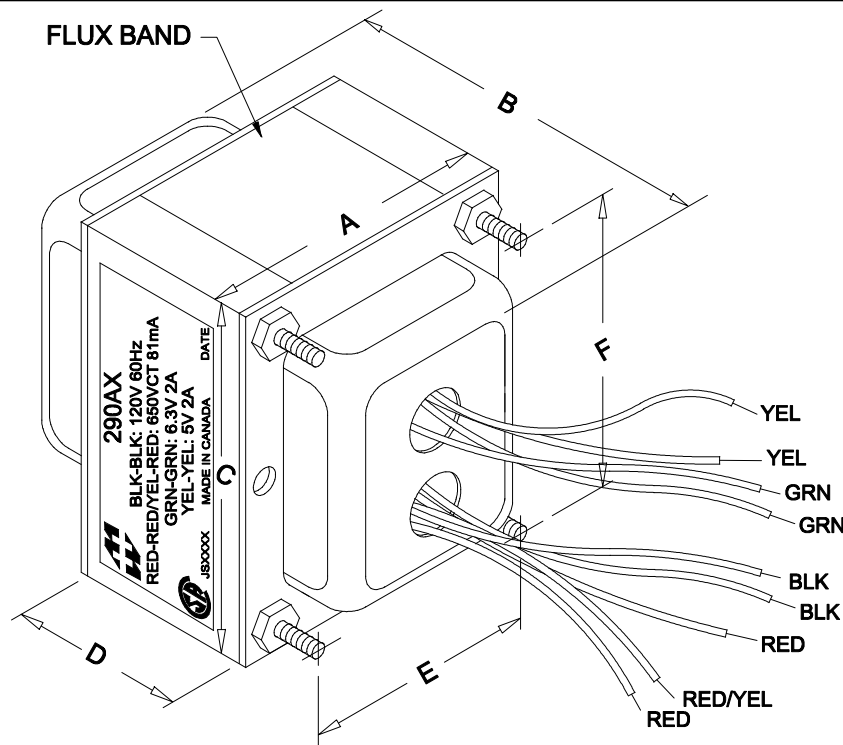


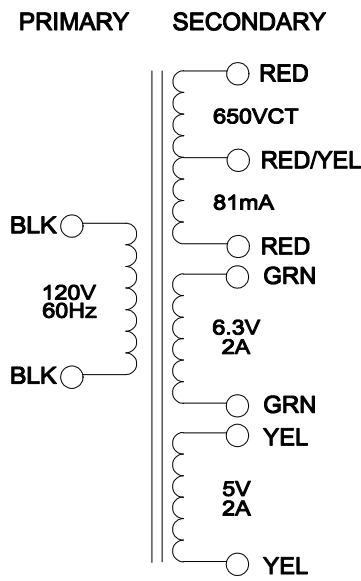
290AX



DIMENSIONS:

A	2.500" ±0.063
B	2.817" ±0.063
C	3.000" ±0.063
D	1.25" ±0.063
E	2.000" ±0.063
F	2.500" ±0.063

NOTE: ALL LEADS 9" OUT MIN., STRIPPED .5"



ELECTRICAL DATA:

Turns ratio:	1 : 5.82 (RED - RED)	
Exciting Current	@ 120V, 60Hz, BLK - BLK = 175mA	Max.
DCR	@ 20C, BLK - BLK = 4.892	Ω ±20%
	@ 20C, RED - RED = 333.2	Ω ±20%
	@ 20C, GRN - GRN = 0.108	Ω ±20%
	@ 20C, YEL - YEL = 0.088	Ω ±20%
Pri. Voltage	120V 60Hz	
Sec. Voltage (RMS)	650VCT @ 81mA / 6.3V @ 2A / 5V @ 2A	
No Load Voltage	698.6VCT / 6.76V / 5.3V	

HAMMOND ELECTRONICS

52 RANKIN PLACE,
WATERLOO, ONTARIO, N2L 3Z5.

PHONE (519) 886-6181
FAX # (519) 886-9540

TITLE

POWER TRANSFORMER

2	03/22/10	Dimension correction	DH	DR BY IOAN POP
1	08/11/09	PRELIMINARY.	I.P.	DATE 05/12/09
NO	DATE	REVISION	DIM IN(X)MM()	

290AX