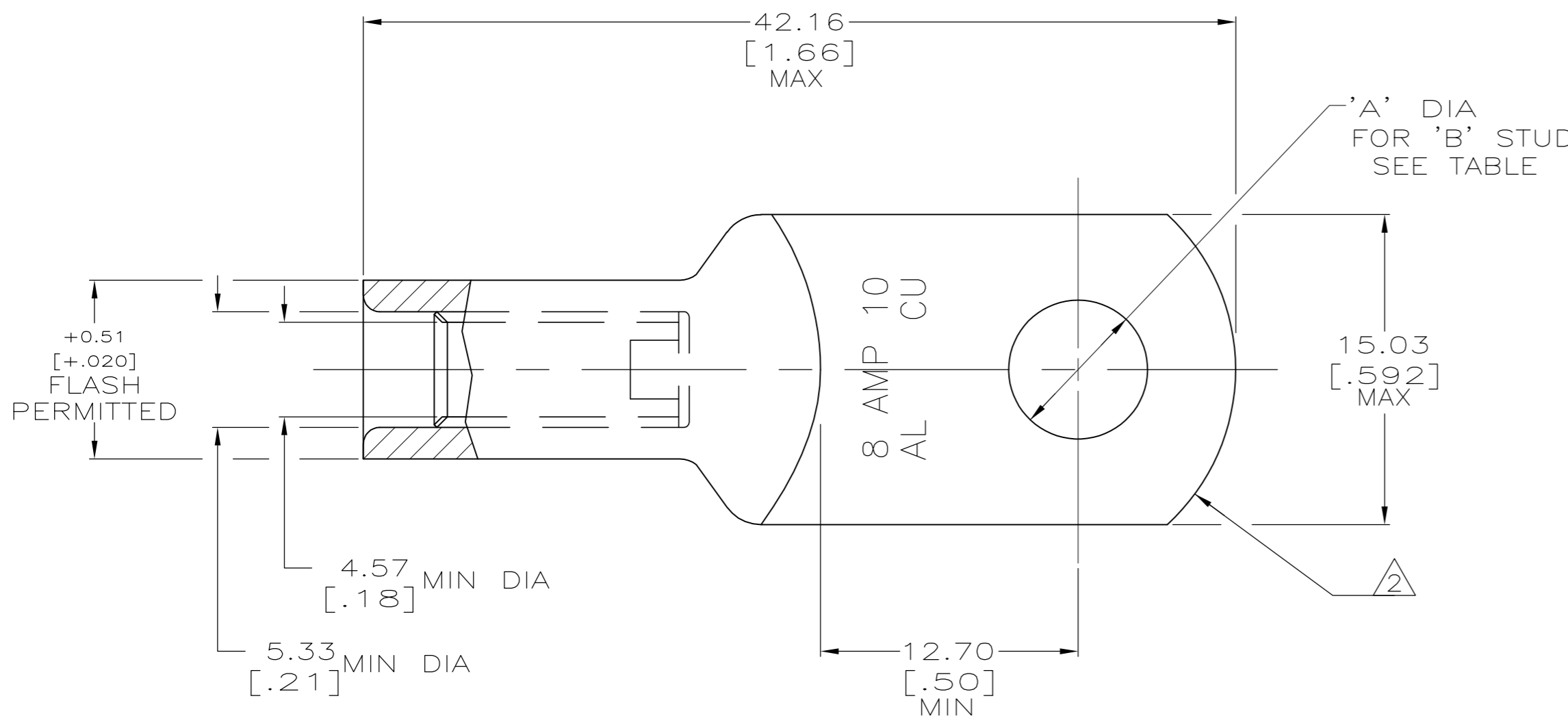
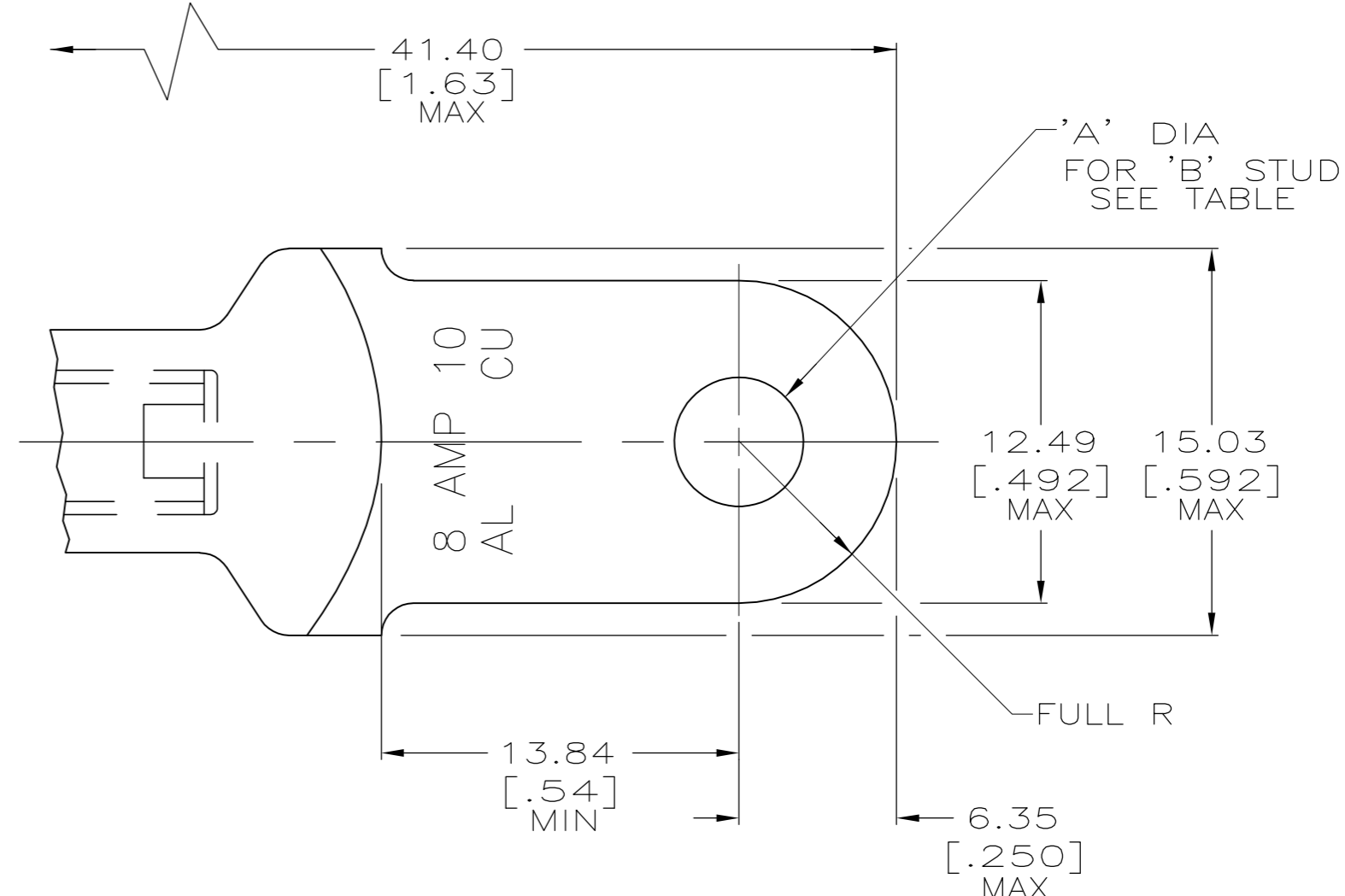


THIS DRAWING IS UNPUBLISHED. RELEASED FOR PUBLICATION
 © COPYRIGHT BY TYCO ELECTRONICS CORPORATION. ALL RIGHTS RESERVED.

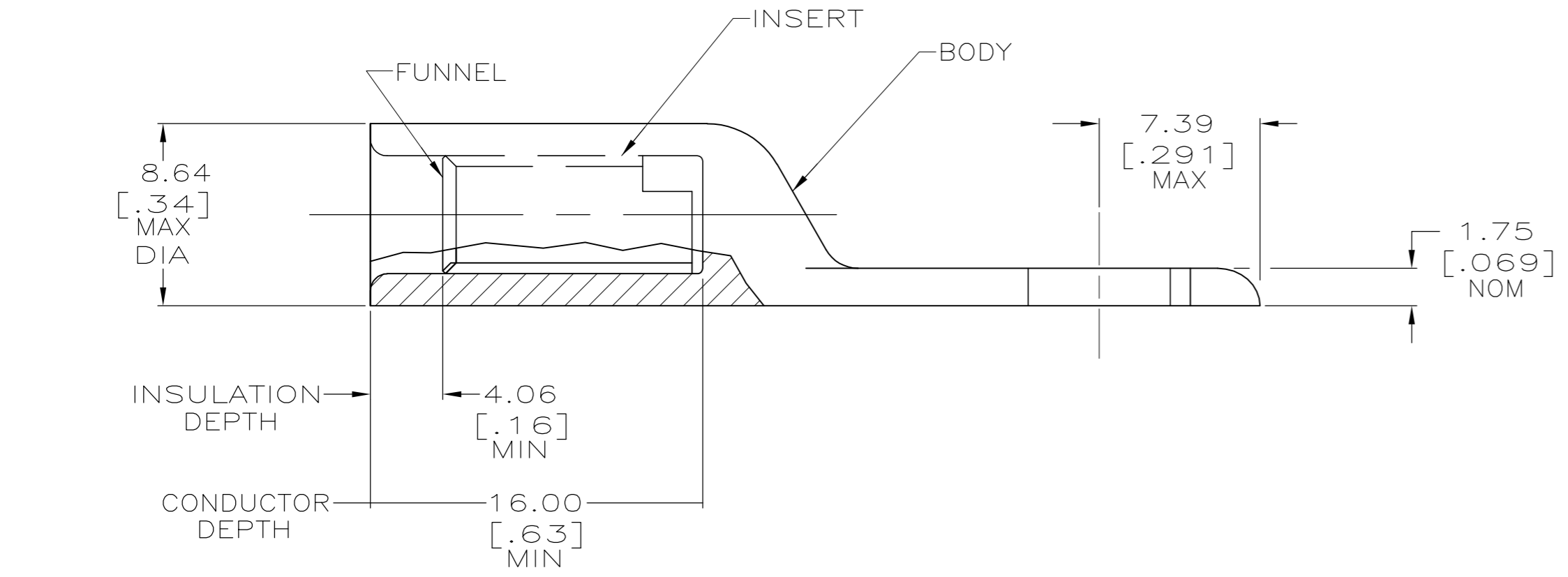
LOC		DIST		REVISIONS			
P	LTR	DESCRIPTION	DATE	DWN	APVD		
G	86	N	REV PER ECR 08-005023	27FEB08	JR	MS	



1 WIRE INSULATION: 4.62[.182] - 5.08[.200] DIA
 2 THE TONGUE RADIUS FEATURE IS NOT A TOOLING CONTROLLED DIMENSION AND MAY NOT BE A TRUE RADIUS.



FOR 277147-5 ONLY



WEIGHT	'A'	'B'	MATERIAL & FINISH	PART NO.
10.3±3 GRAMS	5.00±0.08 [.197±.003]	#10	BODY: COPPER ASTM-B187 ANNEALED	277147-5
OBSOLETE	8.33±0.13 [.328±.005]	5/16	TIN PL MIL-T-10727 0.00381[.000150] MIN THK	277147-4
-	6.73±0.13 [.265±.005]	1/4	INSERT & FUNNEL: BRASS ASTM B36	277147-3
10.0±3 GRAMS	9.91±0.13 [.390±.005]	3/8	NICKEL PL SAE AMS QQ-N-290A, DATED JULY 2000,	277147-2
11.0±3 GRAMS	5.00±0.08 [.197±.003]	#10	0.00254 [.000100] MIN THK	277147-1

THIS DRAWING IS A CONTROLLED DOCUMENT.

DWN	DK SCHRUM	6/23/89	Tyco Electronics Corporation Harrisburg, PA 17105-3608
CHK	MS FEHER	10/16/90	
APVD	AJ KAUFMAN	10/23/90	
PRODUCT SPEC	108-11011		
APPLICATION SPEC	114-2134		NAME WIRE TERMINAL, RING TONGUE, SEALED COPALUM, 8.6mm ² [8] ALUMINIUM 4.8mm ² [10] COPPER
MATERIAL	SEE TABLE	FINISH	SEE TABLE
WEIGHT	SEE TABLE	SCALE	4:1
CUSTOMER DRAWING		SHEET	1 of 1
		REV	N