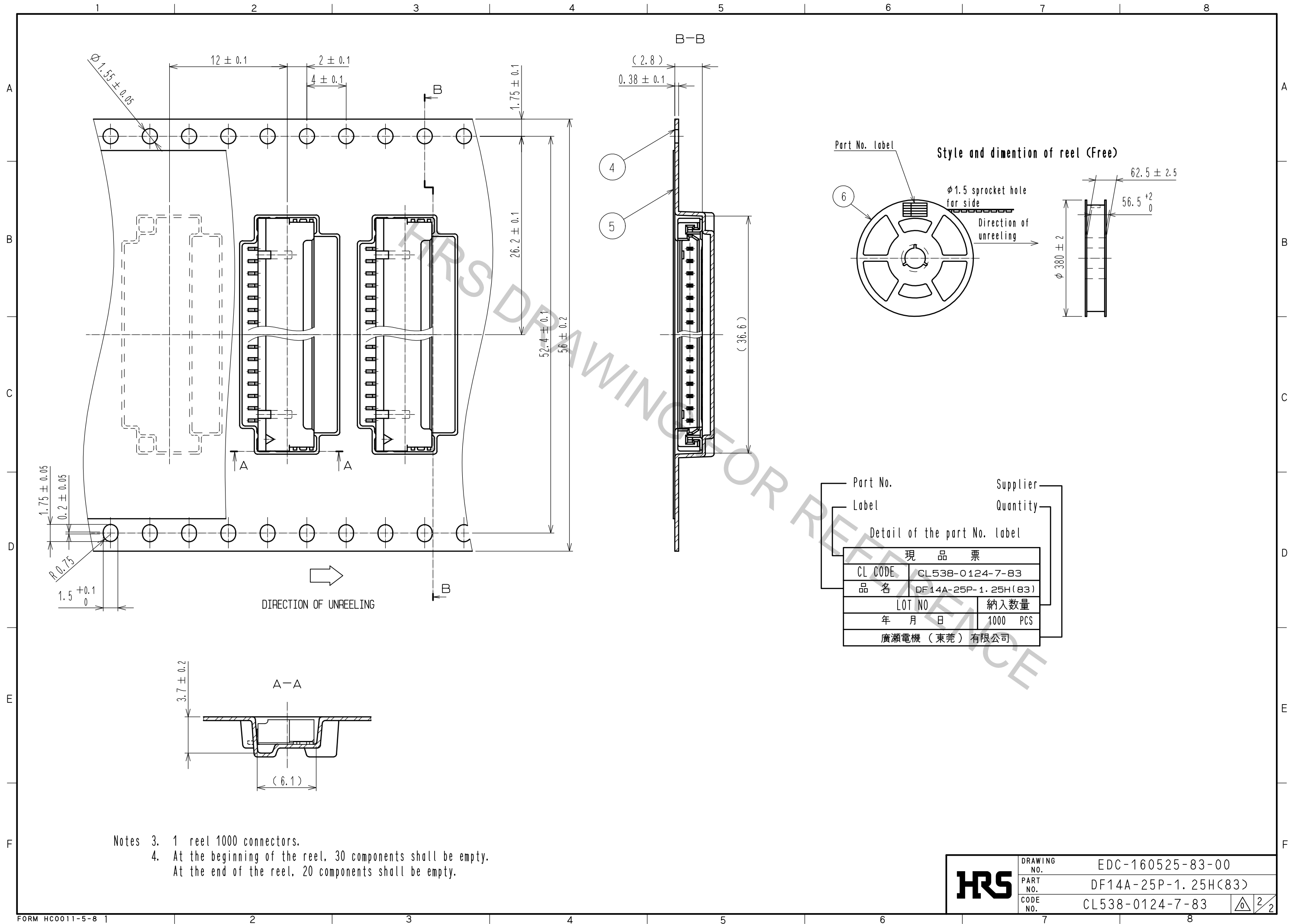


Notes 1. Lead Co-planarity include reinforced metal fittings shall be 0.1 mm MAX.
 2 When this connector mates with DF14-25S-1.25C, the mating length is 7.3 mm.

2	Brass	Contact area: Gold plating 0.1 μm MIN Lead area: Tin-Copper plating 1 μm MIN Under plating: Nickel plating 1 μm MIN	6	Polyester	Black(Reel)
1	Polyamide	Beige . UL94V-0	5	Polyester	CLEAR(Cover Tape)
			4	PS	CLEAR(Embossed Carrier Tape)
			3	Phosphor bronze	Lead area: Tin-Copper plating 1 μm MIN Under plating: Nickel plating 0.5 μm MIN
NO.	MATERIAL	FINISH . REMARKS	NO.	MATERIAL	FINISH . REMARKS
UNITS mm		SCALE 5 : 1	COUNT 	DESCRIPTION OF REVISIONS	
HRS HIROSE ELECTRIC CO., LTD.		APPROVED : HS. OKAWA 16.05.30	DESIGNED	EDC-160525-83-00	
		CHECKED : TS. FUKUSHIMA 16.05.30	CHECKED	DRAWING NO.	
		DESIGNED : HT. SATO 16.05.30	DATE	PART NO. DF14A-25P-1.25H(83)	
		DRAWN : HK. HAYASHI 16.05.30		CODE NO. CL538-0124-7-83	
				1/2	



- Notes
- 1 reel 1000 connectors.
 - At the beginning of the reel, 30 components shall be empty.
At the end of the reel, 20 components shall be empty.

Part No.	Supplier
Label	Quantity
Detail of the part No. label	
現 品 票	
CL CODE	CL538-0124-7-83
品 名	DF14A-25P-1.25H(83)
LOT NO	納入数量
年 月 日	1000 PCS
廣瀨電機 (東莞) 有限公司	

HRS	DRAWING NO.	EDC-160525-83-00
	PART NO.	DF14A-25P-1.25H(83)
	CODE NO.	CL538-0124-7-83
		2/2