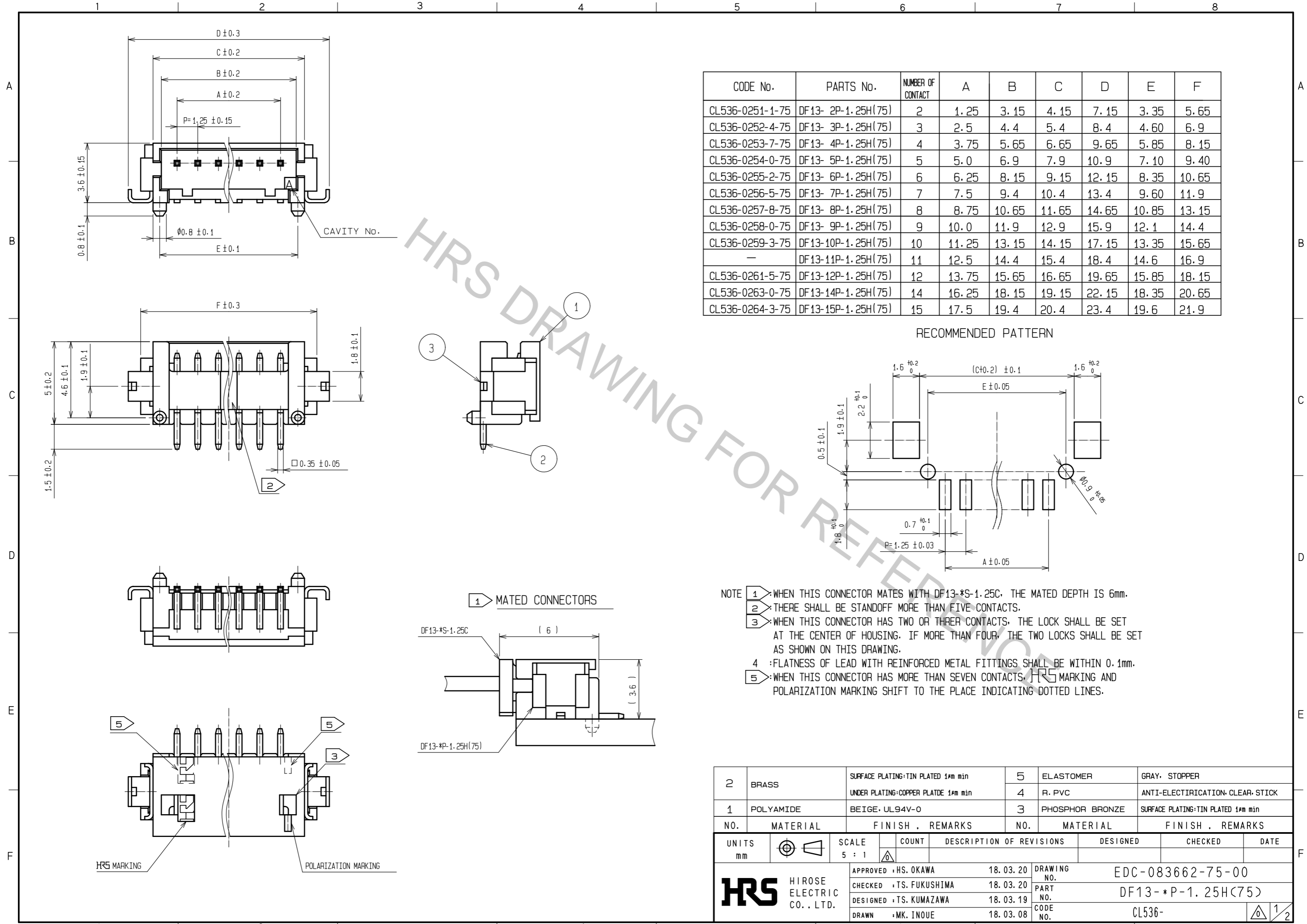
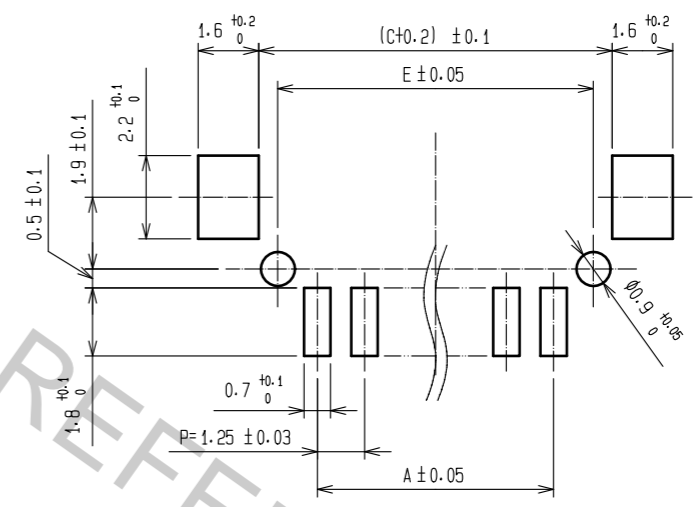


Aug.1.2018 Copyright 2018 HIROSE ELECTRIC CO., LTD. All Rights Reserved.
 In case that the application demands a high level of reliability, such as automotive,
 please contact a company representative for further information.

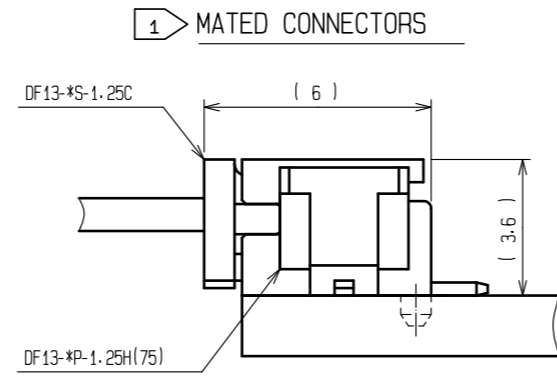


CODE No.	PARTS No.	NUMBER OF CONTACT	A	B	C	D	E	F
CL536-0251-1-75	DF13- 2P-1.25H(75)	2	1.25	3.15	4.15	7.15	3.35	5.65
CL536-0252-4-75	DF13- 3P-1.25H(75)	3	2.5	4.4	5.4	8.4	4.60	6.9
CL536-0253-7-75	DF13- 4P-1.25H(75)	4	3.75	5.65	6.65	9.65	5.85	8.15
CL536-0254-0-75	DF13- 5P-1.25H(75)	5	5.0	6.9	7.9	10.9	7.10	9.40
CL536-0255-2-75	DF13- 6P-1.25H(75)	6	6.25	8.15	9.15	12.15	8.35	10.65
CL536-0256-5-75	DF13- 7P-1.25H(75)	7	7.5	9.4	10.4	13.4	9.60	11.9
CL536-0257-8-75	DF13- 8P-1.25H(75)	8	8.75	10.65	11.65	14.65	10.85	13.15
CL536-0258-0-75	DF13- 9P-1.25H(75)	9	10.0	11.9	12.9	15.9	12.1	14.4
CL536-0259-3-75	DF13-10P-1.25H(75)	10	11.25	13.15	14.15	17.15	13.35	15.65
—	DF13-11P-1.25H(75)	11	12.5	14.4	15.4	18.4	14.6	16.9
CL536-0261-5-75	DF13-12P-1.25H(75)	12	13.75	15.65	16.65	19.65	15.85	18.15
CL536-0263-0-75	DF13-14P-1.25H(75)	14	16.25	18.15	19.15	22.15	18.35	20.65
CL536-0264-3-75	DF13-15P-1.25H(75)	15	17.5	19.4	20.4	23.4	19.6	21.9

RECOMMENDED PATTERN



- NOTE
- 1: WHEN THIS CONNECTOR MATES WITH DF13-*S-1.25C, THE MATED DEPTH IS 6mm.
 - 2: THERE SHALL BE STANDOFF MORE THAN FIVE CONTACTS.
 - 3: WHEN THIS CONNECTOR HAS TWO OR THREE CONTACTS, THE LOCK SHALL BE SET AT THE CENTER OF HOUSING. IF MORE THAN FOUR, THE TWO LOCKS SHALL BE SET AS SHOWN ON THIS DRAWING.
 - 4: FLATNESS OF LEAD WITH REINFORCED METAL FITTINGS SHALL BE WITHIN 0.1mm.
 - 5: WHEN THIS CONNECTOR HAS MORE THAN SEVEN CONTACTS, HRS MARKING AND POLARIZATION MARKING SHIFT TO THE PLACE INDICATING DOTTED LINES.

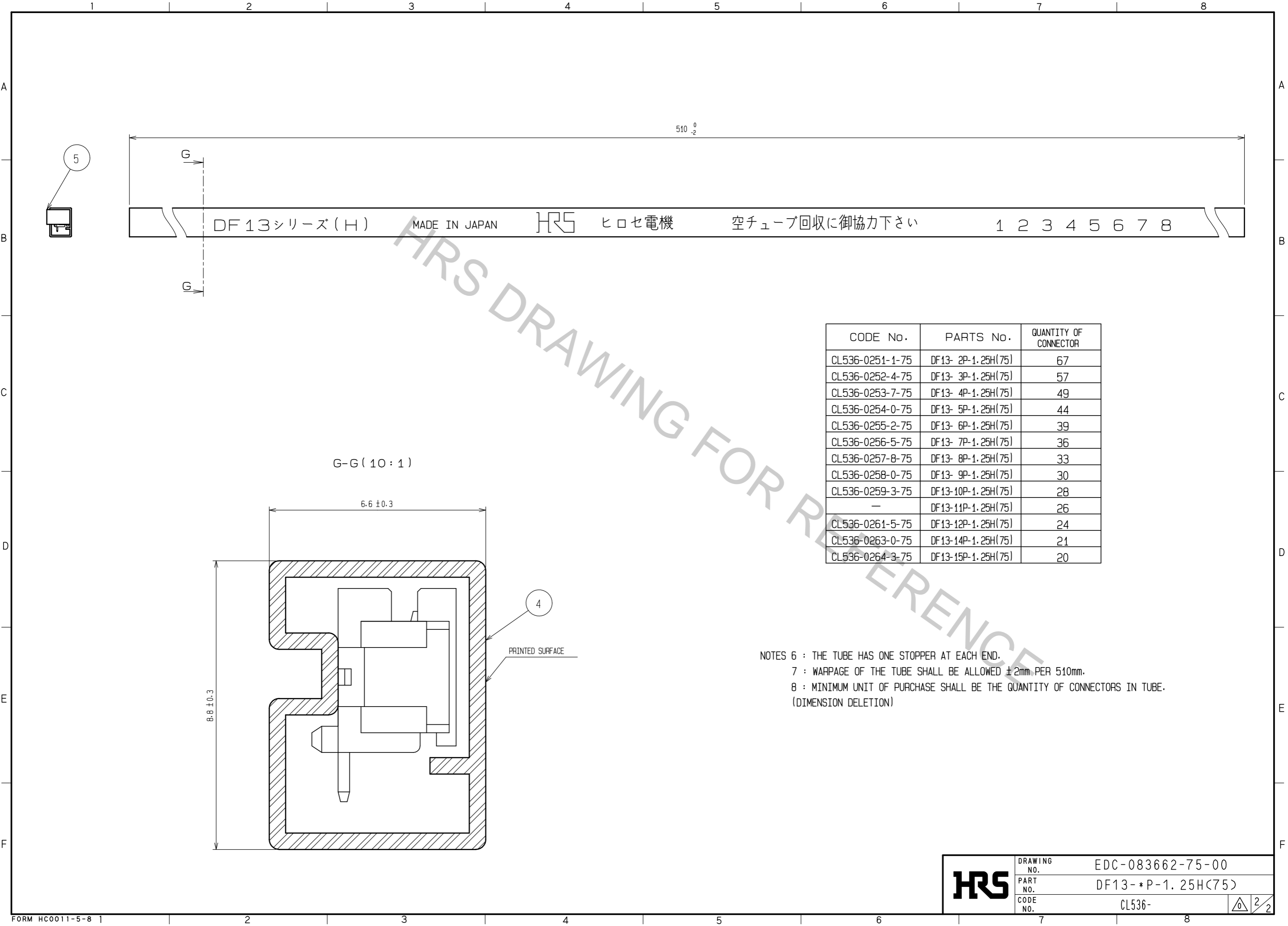


NO.	MATERIAL	FINISH .	REMARKS	NO.	MATERIAL	FINISH .	REMARKS
2	BRASS	SURFACE PLATING:TIN PLATED 1μm min		5	ELASTOMER	GRAY .	STOPPER
		UNDER PLATING:COPPER PLATE 1μm min		4	R. PVC		ANTI-ELECTIRICATION CLEAR-STICK
1	POLYAMIDE	BEIGE . UL94V-0		3	PHOSPHOR BRONZE		SURFACE PLATING:TIN PLATED 1μm min

UNITS	SCALE	COUNT	DESCRIPTION OF REVISIONS	DESIGNED	CHECKED	DATE
mm	5 : 1	△				

APPROVED : HS. OKAWA	18.03.20	DRAWING NO.	EDC-083662-75-00
CHECKED : TS. FUKUSHIMA	18.03.20	PART NO.	DF13-*P-1.25H(75)
DESIGNED : TS. KUMAZAWA	18.03.19	CODE NO.	CL536-
DRAWN : MK. INOUE	18.03.08		

Aug.1.2018 Copyright 2018 HIROSE ELECTRIC CO., LTD. All Rights Reserved.
 In case that the application demands a high level of reliability, such as automotive,
 please contact a company representative for further information.



CODE No.	PARTS No.	QUANTITY OF CONNECTOR
CL536-0251-1-75	DF13- 2P-1.25H(75)	67
CL536-0252-4-75	DF13- 3P-1.25H(75)	57
CL536-0253-7-75	DF13- 4P-1.25H(75)	49
CL536-0254-0-75	DF13- 5P-1.25H(75)	44
CL536-0255-2-75	DF13- 6P-1.25H(75)	39
CL536-0256-5-75	DF13- 7P-1.25H(75)	36
CL536-0257-8-75	DF13- 8P-1.25H(75)	33
CL536-0258-0-75	DF13- 9P-1.25H(75)	30
CL536-0259-3-75	DF13-10P-1.25H(75)	28
—	DF13-11P-1.25H(75)	26
CL536-0261-5-75	DF13-12P-1.25H(75)	24
CL536-0263-0-75	DF13-14P-1.25H(75)	21
CL536-0264-3-75	DF13-15P-1.25H(75)	20

NOTES 6 : THE TUBE HAS ONE STOPPER AT EACH END.
 7 : WARPAGE OF THE TUBE SHALL BE ALLOWED ±2mm PER 510mm.
 8 : MINIMUM UNIT OF PURCHASE SHALL BE THE QUANTITY OF CONNECTORS IN TUBE.
 (DIMENSION DELETION)

HRS	DRAWING NO.	EDC-083662-75-00
	PART NO.	DF13-*P-1.25H(75)
	CODE NO.	CL536-