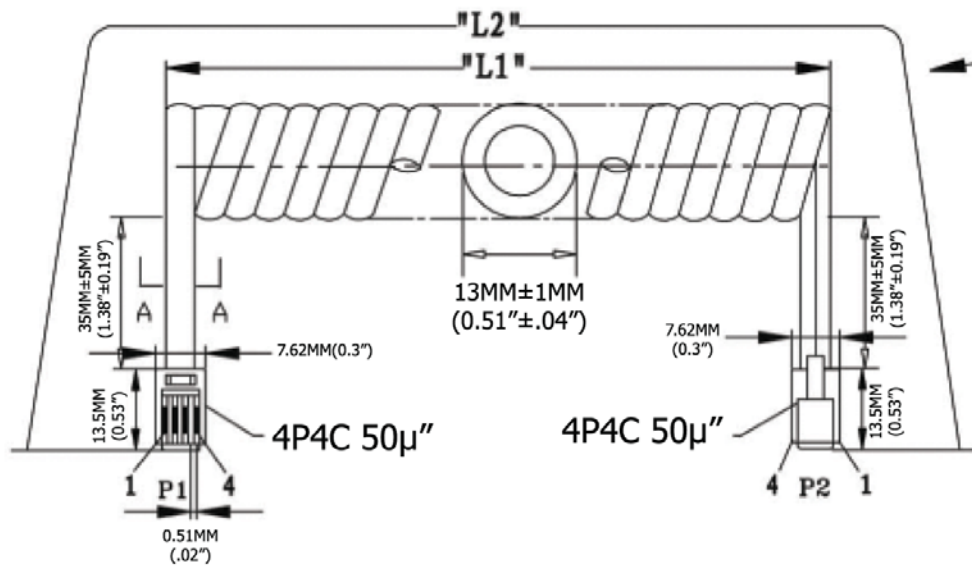
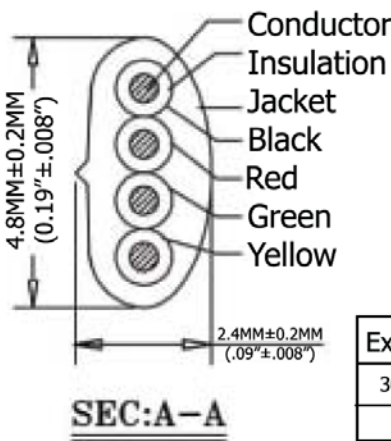


A  
B  
C  
D  
E  
F  
G  
H

A  
B  
C  
D  
E  
F  
G  
H



← Extended length is with 500g of force



**TERMINATION:**

P1	P2	COLOR
1	4	BLACK
2	3	RED
3	2	GREEN
4	1	YELLOW

**Material:**

- Plug Housing: Polycarbonate, clear
- Plug Terminal: 0.36"[0.14MM] Thick Phosphor Bronze
- Connector: 50μ" of Selective Gold Contact Plating
  - Area, Gold flash over the remainder
  - Over 2.54μm[.000100] thick nickel underplate
- Conductor(X4C): 26AWG (0.12X12) Bare Copper
- Insulation(X4C): PP6331 ID 0.95-1.0
- Jacke: PVC No UL 80 P
- Package: Individual PE Bag

Extended Length ("L2")	Typical Retracted Length ("L1")
300.0 Inches - 345.0 Inches	75.0 Inches
7,620.0MM-8,763.0MM	1,905.0MM

Scale	1:1						Name	Item No. <b>AT-C-26-4/4/W-25</b>
TOLERANCE					Drawn	11.02.11	Chappell	
X.X	±0.40				Approved			Title NON-UL 26 AWG (0.12X12)*6C, O.D.: 2.4*4.8MM, Standard Plug, 50μ" of contact plating, WHITE
X.XX	±0.25							
X.XXX	±0.15							Drawing No.
Angle	±3°							<b>rev00</b>
Modification				Date	Name			Replace
								Sheet

