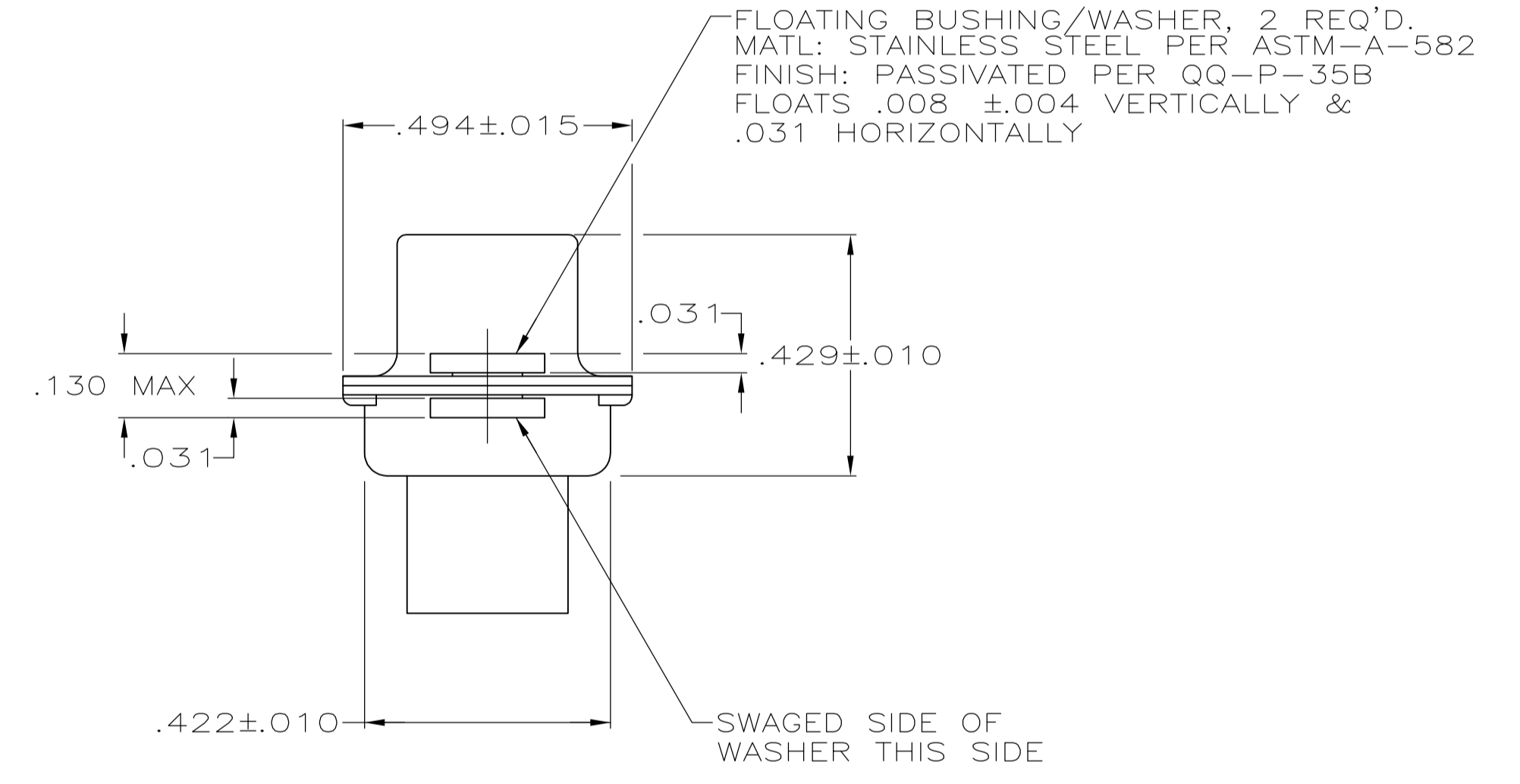
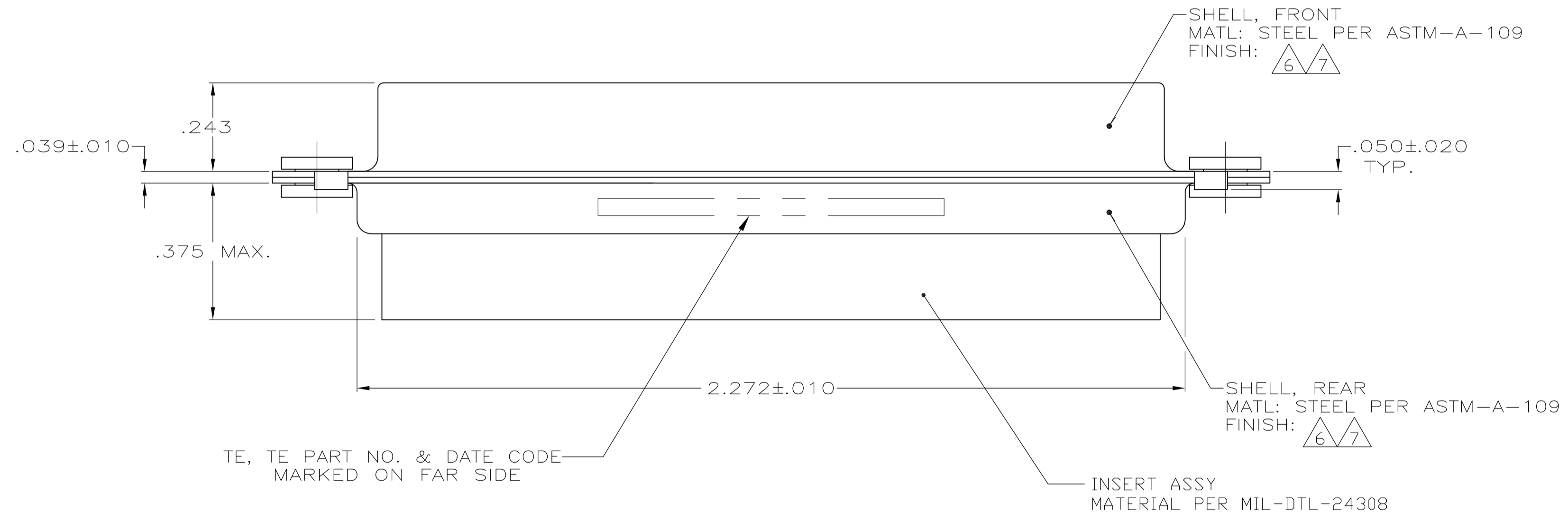
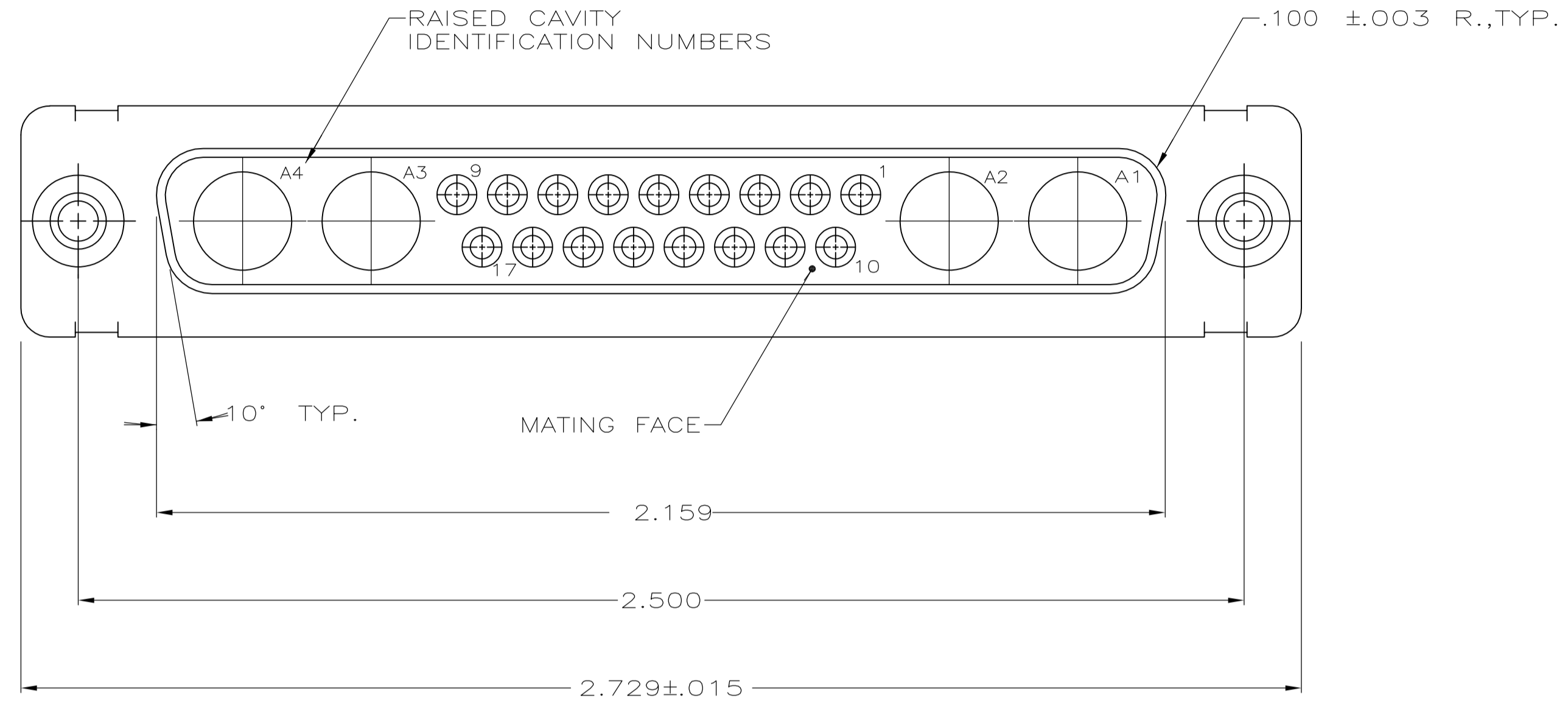


LOC		DIST		REVISIONS			
P	LTR	DESCRIPTION	DATE	DMN	APVD		
C		REV PER ECO 15-005929	5-13-15	CT	DM		

1. THIS RECEPTACLE WILL MATE WITH ANY 21C4, SIZE 4 PLUG IN AMPLIMITE SERIES.
2. MAXIMUM WIRE INSULATION TO BE USED WITH THIS RECEPTACLE IS .068 DOA.
3. STAINLESS STEEL RETENTION CLIPS (17) ARE INCLUDED IN INSERT ASSEMBLY.
4. THIS CONNECTOR ACCEPTS SIZE 20 SOCKET SIGNAL CONTACTS.
5. USE 4 SIZE AND POWER OR COAX SOCKET CONTACTS. CONSULT PRODUCT ENGINEERING FOR MORE DETAILS.

- 6. FINISH: CADMIUM PER QQ-P-416.
- 7. FINISH: ZINC PLATED PER ASTM-B-633 .000200-.000400 THK WITH SUPPLEMENTARY CHROMATE (Cr3+).



7	5-445726-1
6	445726-1
REMARKS	PART NO

THIS DRAWING IS A CONTROLLED DOCUMENT.		DIN T. SHUEY 1-21-88		STE TE Connectivity	
DIMENSIONS: INCHES		CHK A. EMADI 11-10-88		NAME	
TOLERANCES UNLESS OTHERWISE SPECIFIED:		APVD		PRODUCT SPEC	
0. PLC	± .005	APPLICATION SPEC		SIZE	
1. PLC	± .005	WEIGHT		CAGE CODE	
2. PLC	± .005	CUSTOMER DRAWING		DRAWING NO	
3. PLC	± .005	SCALE 4:1		SHEET 1 OF 1	
4. PLC	± .005	REV C		REV	
ANGLES	± .005				
MATERIAL SEE CALLOUTS		FINISH SEE CALLOUTS		A1 00779 C=445726	