

PART NUMBER	REV	FIRST USED	POWER UNIT	FEED TYPE	DESCRIPTION
1852435-1	A	122500-1	LEADMAKER	POST FEED	CUTS CARRIER
1852435-2	A	565435-5	BENCH MODEL K	PRE FEED	CUTS CARRIER
1852435-3	A	354500-1	BENCH MODEL G	PRE FEED	CUTS CARRIER
1852435-6	A	122500-1	LEADMAKER	POST FEED	CONTINUOUS CARRIER
7-1852435-7	A	-	-	-	SPARE PARTS

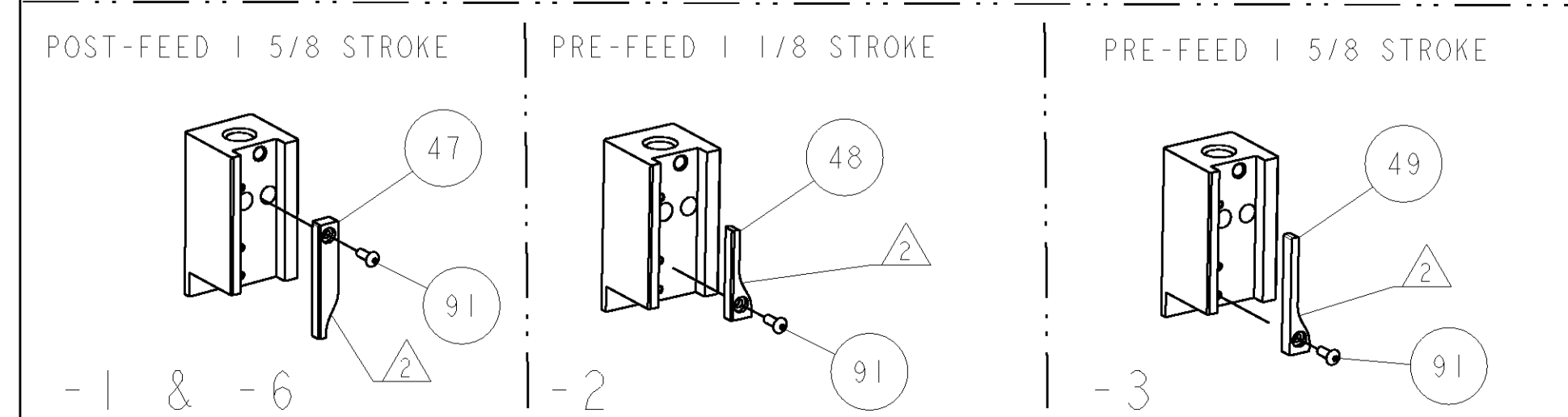
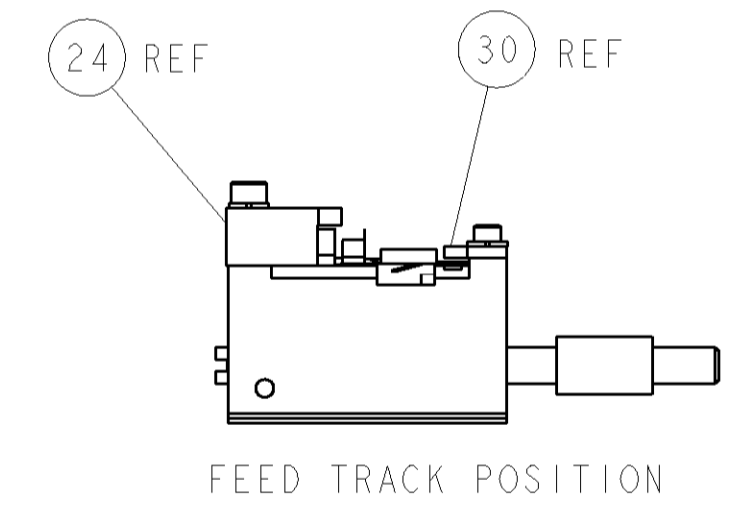
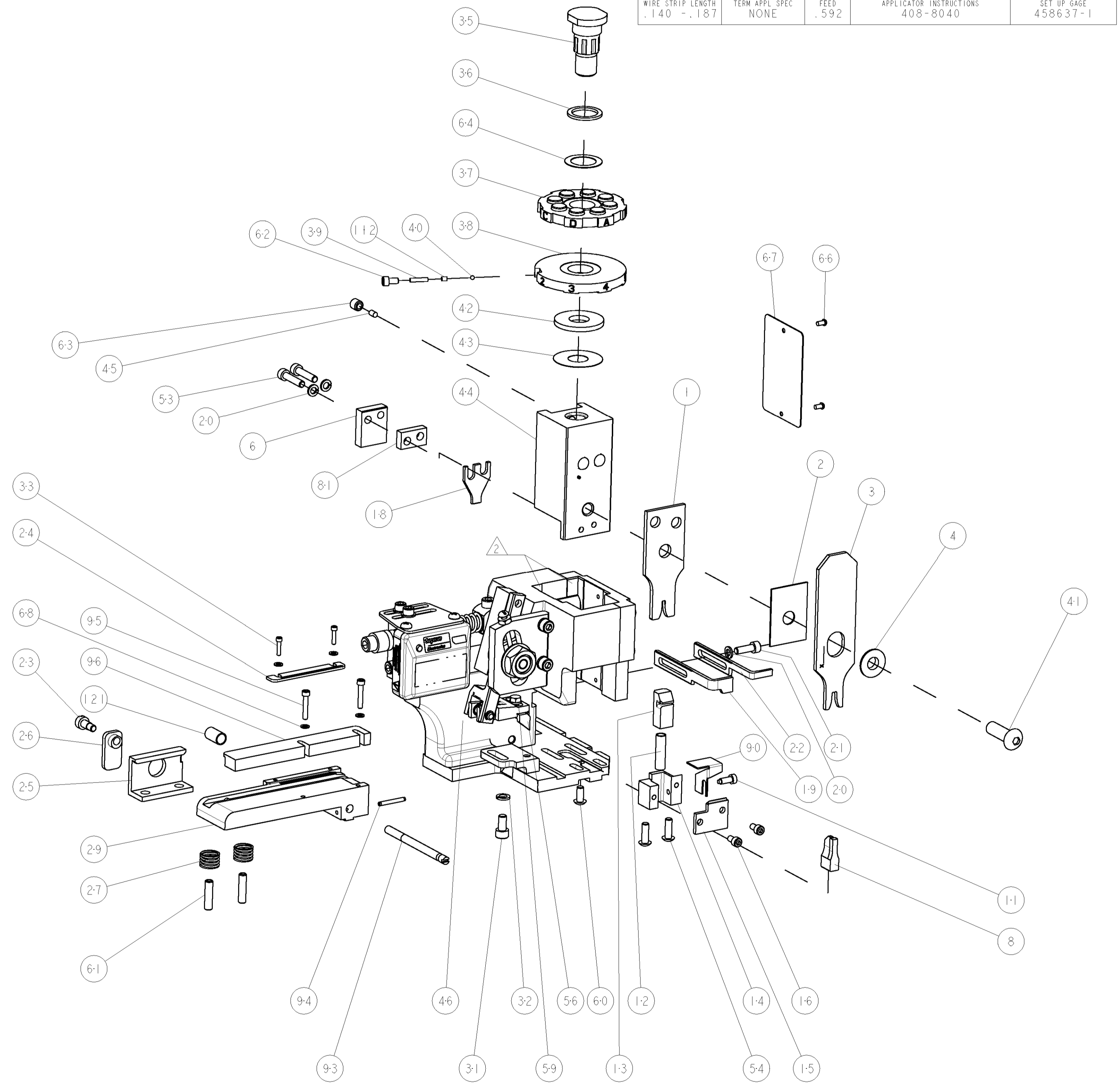
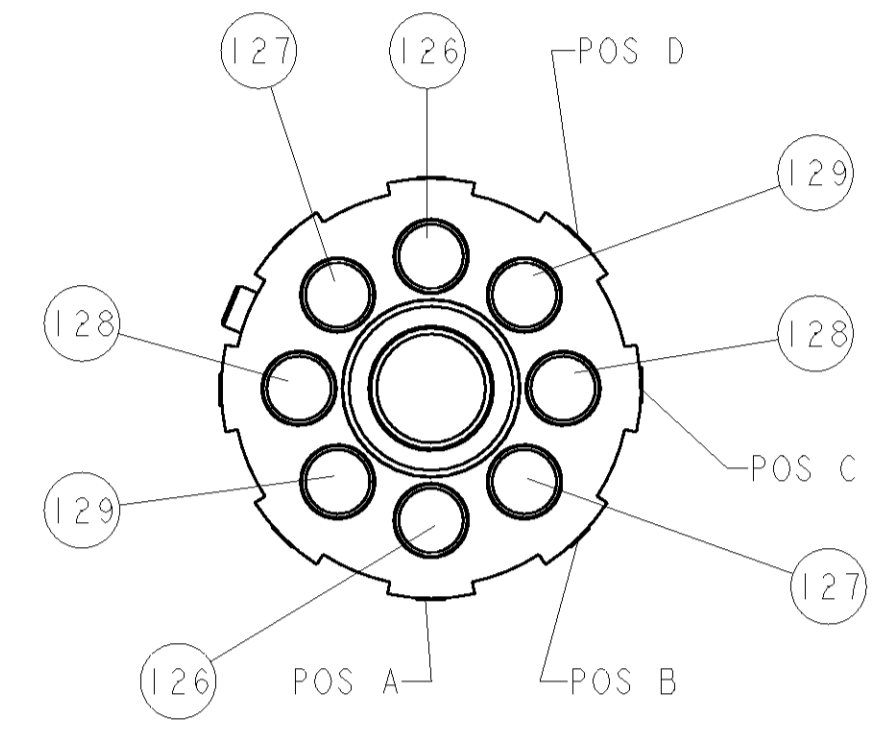


TERMINAL NAME: FLAT BLADE, SERIES 2176

TYCO PN	MOLEX PN	MOLEX TERMINAL - MOLEX CRIMP SPECS		
1949291	05-06-0301			
		PAD LTR	CRIMP HEIGHT	WIRE SIZE
		A	.057±.001 [1.45±0.03mm]	16AWG
		B	.051±.001 [1.30±0.03mm]	18AWG
		C	.049±.001 [1.24±0.03mm]	20AWG
		D	.047±.001 [1.19±0.03mm]	22AWG
		CRIMP	SIZE	TYPE
		WIRE	.080 [2.03mm]	F
		INSUL	.140 [3.56mm]	F
		FEED	.592	APPLICATOR INSTRUCTIONS 408-8040
		WIRE STRIP LENGTH .140 - .187	TERM APPL SPEC NONE	SET UP GAGE 458637-1

LOC	DIST	REV	DESCRIPTION	DATE	BY	APPD
A	66		RELEASED	27MAR2007	RK	GB

- △ RECOMMENDED SPARE PARTS
- △ GREASE LIGHTLY
- △ GUARD MUST BE IN PLACE WHEN OPERATING APPLICATOR IN A BENCH MACHINE



-	2	2	2	2	-	3-354779-5	PIN, WIRE DISC, .3165	129
-	2	2	2	2	-	3-354779-2	PIN, WIRE DISC, .3150	128
-	2	2	2	2	-	2-354779-8	PIN, WIRE DISC, .3130	127
-	2	2	2	2	-	1-354779-6	PIN, WIRE DISC, .3070	126
-	1	1	1	1	-	1-22281-8	SPRING, COMPRESSION	121
-	-	-	-	-	REF	455749-1	GUARD WINDOW	116
-	-	-	-	-	REF	679532-1	INSERT, GUARD	115
-	1	1	1	1	-	690603-1	SPRING ASSIST AMP-O-MATOR APPLICATOR	112
-	1	1	1	1	-	2-690487-9	GUIDE, FRONT STRIP	96
-	2	2	2	2	-	1-21000-6	SCR, SKT HD CAP 4-40 X .625	95
-	1	1	1	1	-	4-21028-0	PIN, SLOTTED SPRING .094 X .750	94
-	1	1	1	1	-	690432-3	ADJUSTMENT SCREW	93
-	1	1	1	1	-	1-21002-7	SCR, BTN SKT HD CAP 6-32 X .375	91
-	1	1	1	1	-	691668-1	GUARD, REAR CHIP	90
-	1	1	1	1	-	2-240641-9	SPACER	81
-	1	1	1	1	-	4088040	SF APPL INST 408-8040	72
-	1	1	1	1	-	217238-1	GENERAL INSTRUCTION PKG	71
-	4	4	4	4	-	21024-2	WASHER, SPRG LOCK, REG NO 4	68
-	1	1	1	1	-	461264-1	PLATE, IDENTIFICATION	67
-	2	2	2	2	-	21017-2	SCREW, DRIVE	66
-	1	1	1	1	-	986950-1	WASHER, FLAT PRECISION	64
-	1	1	1	1	-	21009-2	SCR, SET, SELF LOCKING 1/4-20 X .250	63
-	1	1	1	1	-	23030-1	SCR, SKT HD CAP 6-32 X .25	62
-	2	2	2	2	-	5-21006-6	SCR, SET, CUP POINT 10-32 X .750	61
-	1	1	1	1	-	22733-8	SCR, BHSC, SELF-LOCKING, 8-32 X .375	60
-	1	1	1	1	-	2-22603-0	SCREW, MACH, HEX HD, 8-32 X .312	59
-	1	1	1	1	-	694433-2	FEED PAWL	56
-	2	2	2	2	-	2-21002-2	SCR, BTN SKT HD CAP 8-32 X .500	54
-	2	2	2	2	-	2-21000-9	SCR, SKT HD CAP 8-32 X .750	53
-	-	-	-	-	..	690602-6	CAM, PRE FEED, 1 5/8	49
-	-	-	-	-	..	690602-5	CAM, PRE FEED, 1 1/8	48
-	1	-	-	-	-	690501-4	CAM, POST FEED, 1 5/8	47
-	1	1	1	1	-	459456-1	APPL. BASIC SUB ASSY (SIDE WISE MOCA)	46
-	1	1	1	1	-	690191-1	PLUG, NYLON	45
-	1	1	1	1	-	455673-1	RAM, SIDE FEED	44
-	1	1	1	1	-	690125-1	SHIM SUB-ASSY	43
-	1	1	1	1	-	690124-1	WASHER, RAM (.115)	42
-	1	1	1	1	-	7-21002-9	SCR, BTN SKT HD CAP 5/16-24 X 1.00	41
-	1	1	1	1	-	23241-6	BALL, STEEL	40
-	1	1	1	1	-	690170-1	SPRING, COMPRESSION	39
-	1	1	1	1	-	690142-1	DISC, INSULATION	38
-	1	1	1	1	-	354777-1	WIRE DISC, ASSEMBLY	37
-	1	1	1	1	-	22480-5	SPRING, COMPRESSION	36
-	1	1	1	1	-	690212-1	POST, RAM	35
-	2	2	2	2	-	1-21000-1	SCR, SKT HD CAP 2-56 X .375	33
-	1	1	1	1	-	21024-5	WASHER, SPRG LOCK, REG NO 10	32
-	1	1	1	1	-	3-21000-4	SCR, SKT HD CAP 10-32 X .375	31
-	1	1	1	1	-	1-844048-1	PLATE, REAR STRIP GUIDE	29
-	2	2	2	2	-	1-22284-0	SPRING, COMPRESSION	27
-	1	1	1	1	-	240793-1	LEVER, DRAG RELEASE	26
-	1	1	1	1	-	240792-1	DRAG, TERMINAL	25
-	1	1	1	1	-	690438-1	FRONT STRIP GUIDE	24
-	1	1	1	1	-	22353-8	SCR, SHLD, SLOT HD, 3/16 DIA	23
-	1	-	-	-	-	690472-2	STRIPPER	22
-	1	1	1	1	-	2-21000-7	SCR, SKT HD CAP 8-32 X .500	21
-	4	4	4	4	-	21024-4	WASHER, SPRG LOCK, REG NO 8	20
-	-	-	-	-	-	691353-1	STRIPPER	19
-	1	1	1	1	-	690518-1	HOLD DOWN, TERMINAL	18
-	2	2	2	2	-	1-21000-8	SCR, SKT HD CAP 6-32 X .250	16
-	1	1	1	1	-	1-690691-0	PLATE, REAR SHEAR	15
-	1	1	1	1	-	690462-1	SHEAR HOLDER, REAR	14
-	1	1	1	1	-	690463-1	FLOATING SHEAR, REAR	13
-	1	1	1	1	-	3-22280-3	SPRING, COMPRESSION	12
-	1	1	1	1	-	690461-1	STOP, SHEAR	11
-	1	1	1	1	-	2-1633109-3	ANVIL, COMBINATION .080	8
-	1	1	1	1	-	690468-1	DEPRESSOR SHEAR, REAR	6
-	1	1	1	1	-	238009-4	BLOCK, FL CRIMPER SPACER	4
-	1	1	1	1	-	3-683453-1	CRIMPER, INSULATION PREMIUM	3
-	1	1	1	1	-	455888-7	SPACER, CRIMPER	2
-	1	1	1	1	-	1-456405-8	CRIMPER, WIRE PREMIUM	1

ITEM NO	PART NO	DESCRIPTION	ITEM NO
-77	-6	-3	-2
-1	U/M		

DIMENSIONS: INCHES 	TOLERANCES UNLESS OTHERWISE SPECIFIED: 0 PLC ±.01 1 PLC ±.01 2 PLC ±.01 3 PLC ±.001 4 PLC ±.001 ANGLES ±.001	DWG: R. KNEPPER CHK: G. BAILEY APD: T. BENCHOFF	TITCO Tyco Electronics Harrisburg, PA 17105-3608
MATERIAL:	FINISH:	WEIGHT:	SCALE: 3:5
CUSTOMER DRAWING		SIZE: A1	REVISION: A

CUSTOMER VIEWABLE ASSEMBLY