



OS02A1Q 2-megapixel product brief



Ultra Low-Light Performance for Professional-Grade Security Cameras



available in
a lead-free
package

OmniVision's high-performance OS02A1Q is a native 16:9 big pixel image sensor for high-end professional security cameras. Utilizing OmniVision's PureCel® technology, the OS02A1Q delivers high-resolution video with optimized low-light performance to enable downstream analytics for facial recognition and a host of advanced features, including night vision.

The OS02A1Q captures 1080p full high definition (FHD) video at up to 60 frames per second (fps) with staggered two-exposure high dynamic range (HDR), which is widely supported by back-end image signal

processors (ISPs). The sensor's large 4-micron PureCel pixel and a 1/2-inch optical format ensure high-quality color images and video in both high- and low-light conditions.

The sensor also features a 11-degree chief ray angle (CRA) to accommodate many wide field-of-view and fisheye lenses.

Find out more at www.ovt.com.



Applications

- Security Cameras
- High Resolution Consumer Cameras
- Action Cameras
- Digital Video Camcorders (DVC)

Product Features

- 4 μm x 4 μm pixel
- optical size of 1/2"
- programmable controls for:
 - frame rate
 - mirror and flip
 - cropping
 - windowing
- supports output formats:
 - 12-/10-bit RAW RGB
- standard serial SCCB interface
- 12-bit ADC
- up to 4-lane MIPI/LVDS serial output interface (supports maximum speed up to 1500 Mbps/lane)
- 2-exposure staggered HDR support
- programmable I/O drive capability
- light sensing mode (LSM)
- PLL with SCC support
- support for FSIN

OS02A1Q



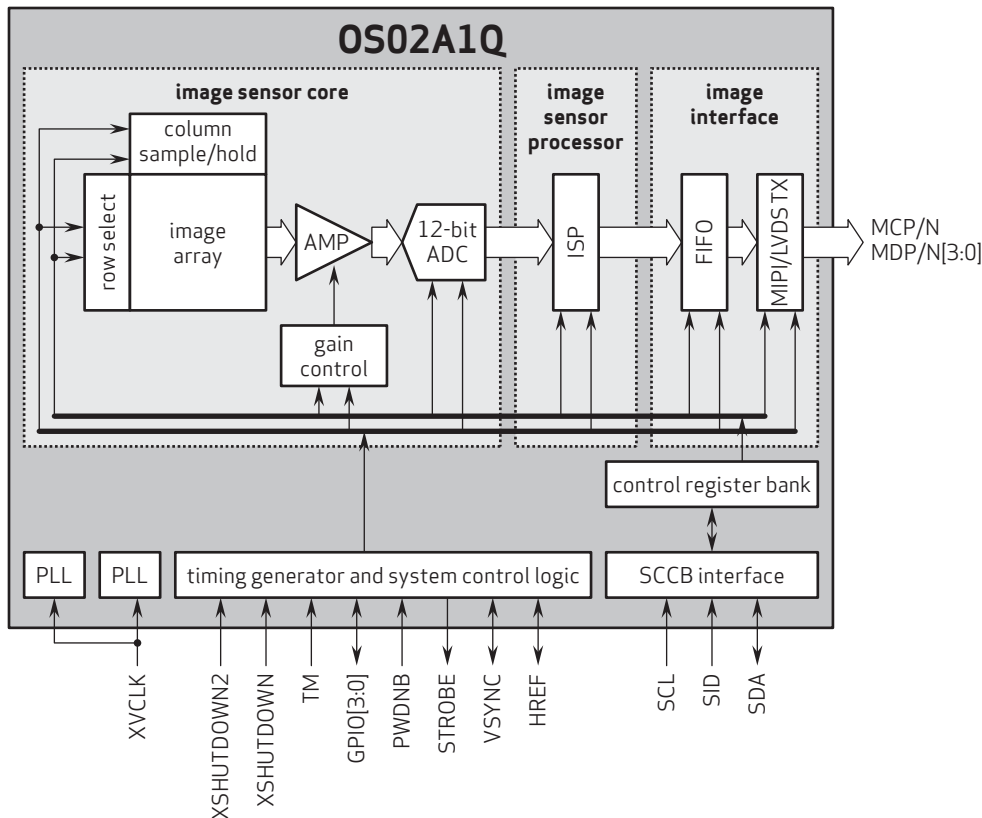
Ordering Information

- OS02A1Q-H92A-Z
(color, lead-free, 92-pin CSP)

Product Specifications

- active array size: 1920 x 1080
- power supply:
 - core: 1.2V
 - analog: 2.8V
 - I/O: 1.8V
- power requirements:
 - active: 221 mW
 - standby: 210 μA
 - XSHUTDOWN: 0.6 μA
- temperature range:
 - operating: -30°C to +85°C junction temperature
 - stable image: 0°C to +60°C junction temperature
- output formats: 10/12-bit RGB RAW
- lens size: 1/2"
- input clock frequency: 6 - 27 MHz
- lens chief ray angle: 11° linear
- maximum image transfer rate:
 - 1080p (with HDR): 60 fps
 - 1080p (without HDR): 120 fps
- sensitivity: 51884 e-/Lux-sec
- scan mode: progressive
- maximum exposure interval: 1112 x t_{row}
- pixel size: 4.0 μm x 4.0 μm
- image area: 7736 μm x 4379 μm
- package dimensions: 8939 μm x 6340 μm

Functional Block Diagram



4275 Burton Drive
Santa Clara, CA 95054
USA

Tel: +1 408 567 3000
Fax: +1 408 567 3001
www.ovt.com

OmniVision reserves the right to make changes to their products or to discontinue any product or service without further notice. OmniVision, the OmniVision logo and PureCel are registered trademarks of OmniVision Technologies, Inc. All other trademarks are the property of their respective owners.



OmniVision