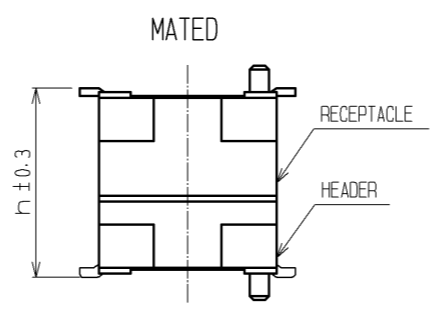


NOTES ① LEAD CO-PLANARITY INCLUDE REINFORCED METAL FITTINGS SHALL BE 0.1 mm MAX.
 ② WHEN A PART MARKED WITH HAS A PATTERN BUT NO RESIST ON IT. TAKE CARE TO PREVENT THE CONNECTOR FROM TOUCHING IT.

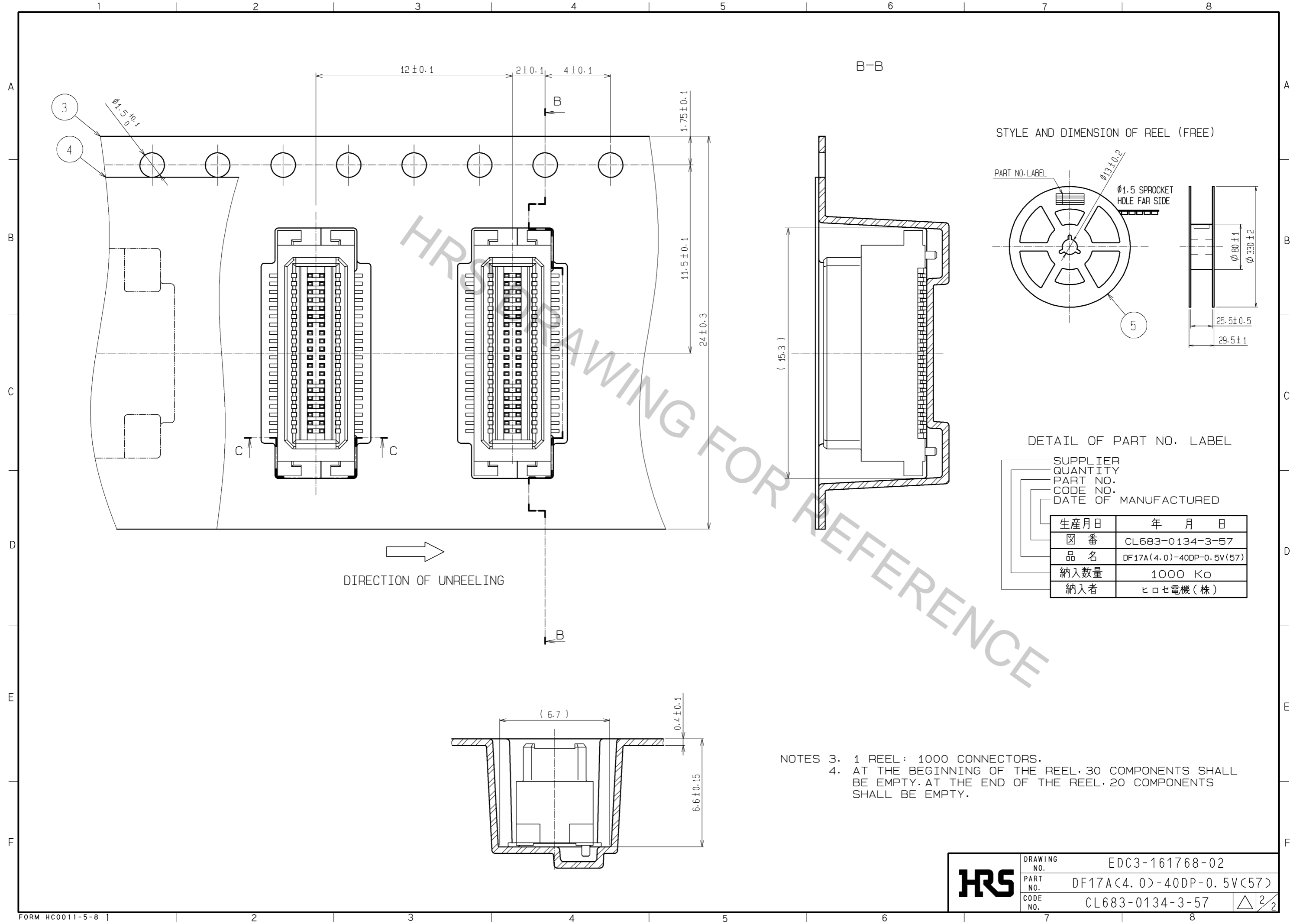
MATED HIGHT (h)		(mm)	
HEADER NO.	RECEPTACLE NO.	DF17*(3.0)-40DS-0.5V(57)	DF17*(4.0)-40DS-0.5V(57)
DF17A(4.0)-40DP-0.5V(57)		7	8



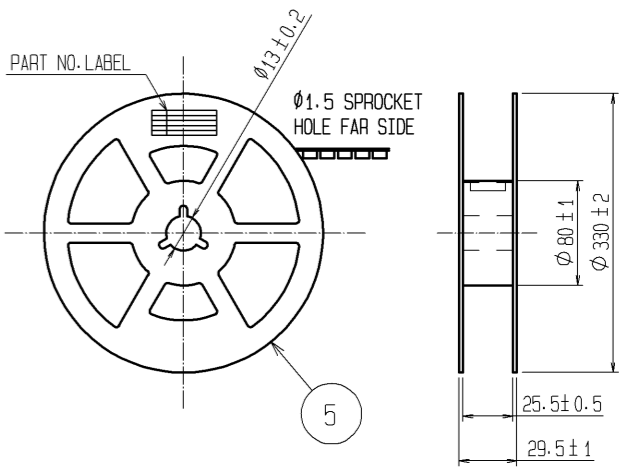
NO.	MATERIAL	FINISH . REMARKS	NO.	MATERIAL	FINISH . REMARKS
1	PHOSPHOR BRONZE	CONTACT AREA:GOLD PLATED 0.1µm min LEAD AREA:TIN PLATED 1µm min UNDER PLATING:NICKEL PLATED 1µm min	5	PS	PLASTIC REEL . BLACK
			4	POLYESTER	CLEAR (COVER TAPE)
			3	A-PET	CLEAR (EMBOSSED CARRIER TAPE)
			2	POLYAMIDE (PA6T)	NATURAL (BEIGE) . UL94V-0

UNITS	SCALE	COUNT	DESCRIPTION OF REVISIONS	DESIGNED	CHECKED	DATE
mm	5 : 1	△	APPROVED : KH. IKEDA 08.09.25			
			CHECED : TS. MIYAZAKI 08.09.25			
			DESIGNED : TY. YAMASAKI 08.09.03			
			DRAWN : TY. YAMASAKI 08.09.03			

DRAWING NO.	PART NO.	CODE NO.
EDC3-161768-02	DF17A(4.0)-40DP-0.5V(57)	CL683-0134-3-57



STYLE AND DIMENSION OF REEL (FREE)



NOTES 3. 1 REEL : 1000 CONNECTORS.
4. AT THE BEGINNING OF THE REEL, 30 COMPONENTS SHALL BE EMPTY. AT THE END OF THE REEL, 20 COMPONENTS SHALL BE EMPTY.

HRS	DRAWING NO.	EDC3-161768-02
	PART NO.	DF17A(4.0)-40DP-0.5V(57)
	CODE NO.	CL683-0134-3-57
		△ 2/2