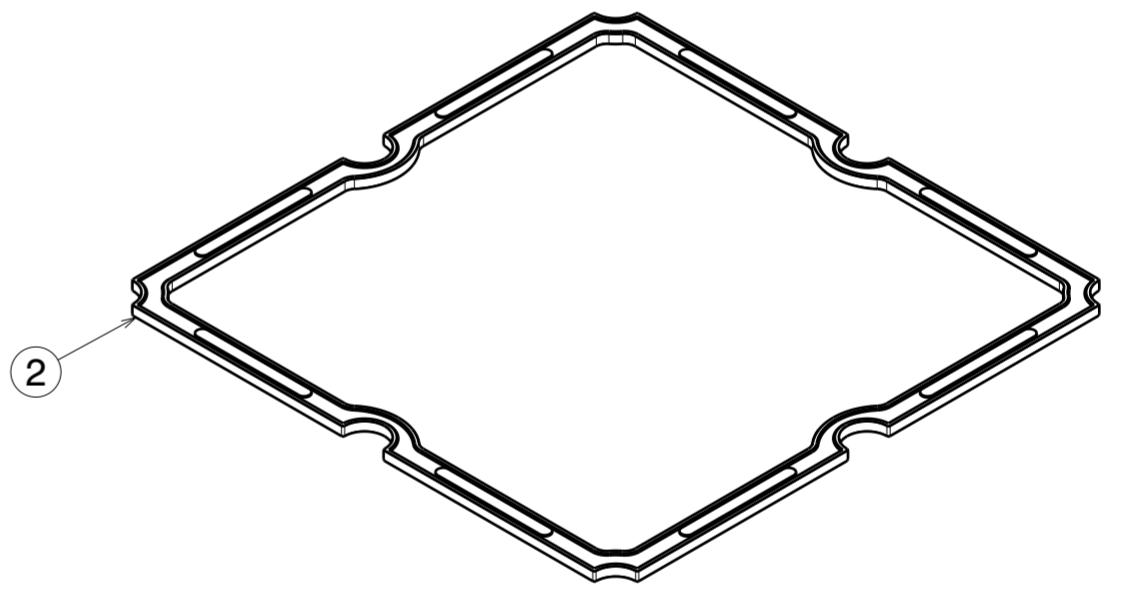
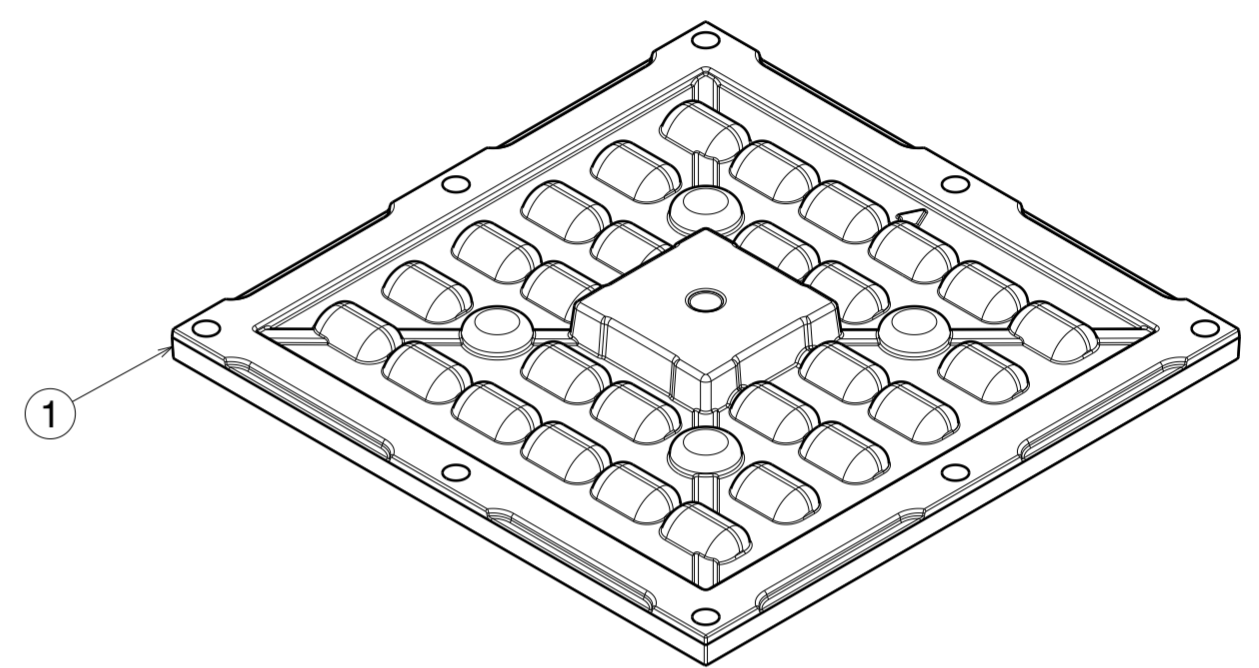
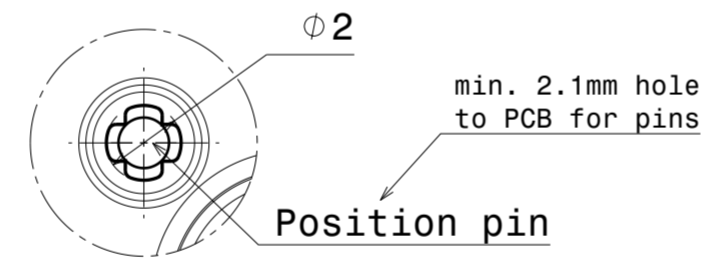
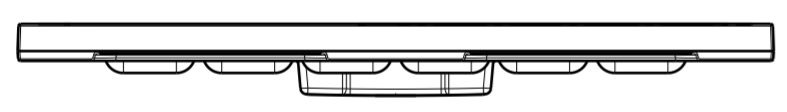


Detail B  
Scale: 5:1



Isometric view  
Scale: 1:1



Detail A  
Scale: 5:1

CS16575\_STRADELLA-IP-28-T1-A  
**COMPONENTS**

INDEX	PART	TYPE	MATERIAL	COLOR / COATING
1	C16567_STRADELLA-IP-28-T1-A_Mechanicalmodel	Lens	PMMA	clear
2	C15900_STRADELLA-28-SEAL	Seal	Silicone	white

**Notes**

<span style="color: green;">●</span>	Heatsink level
<span style="color: yellow;">●</span>	PCB level.
<span style="color: red;">●</span>	LED location
	Ensure LED fitting from a product specific 3D model available from <a href="http://www.ledil.com">www.ledil.com</a>
	For more details about installation please see LEDiL Installation Guide on <a href="http://www.ledil.com">www.ledil.com</a>

MECHANICAL DRAWING		FIRST ANGLE PROJECTION: 	This drawing is the property of LEDiL Oy. It may not be copied or otherwise distributed without prior written permission from LEDiL Oy.
PRODUCT	SCALE		
STRADELLA	1:1		
	WEIGHT	33,15g	A2 SHEET 1/1

**LEDiL®**