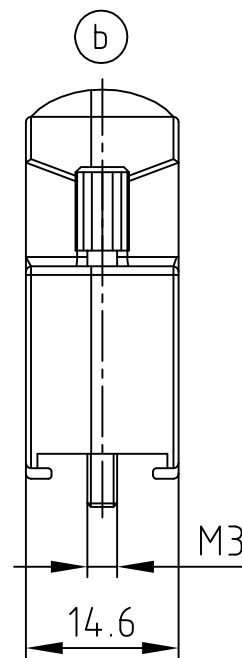
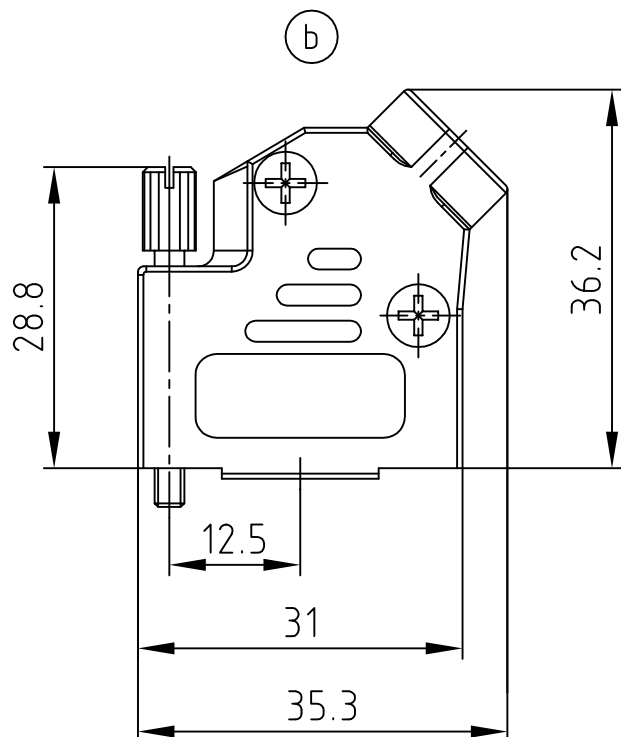
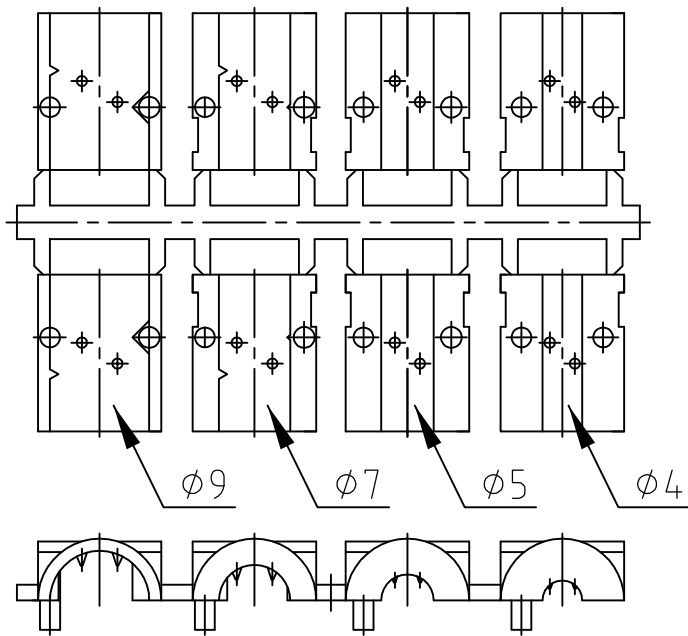


used for: D-SUB



(b) Strain relief



(b) TECHNICAL DATA:

1. BACKSHELL HALVES: ZINC DIE-CAST; NICKEL PLATED
2. ASSEMBLY SCREWS: STEEL; TIN PLATED
3. JACK SCREW: STEEL; TIN PLATED
4. CABLE STRAIN RELIEF: PC
5. TEMPERATURE RANGE: -40°C to +120°C
6. ATTENUATION FACTOR: >40dB BETWEEN 30 MHz AND 2 GHz
7. ASSEMBLY INSTRUCTION SEE SHEET 2

Directive 2002/95/EC RoHS compliant

THIS DRAWING MAY NOT BE COPIED OR REPRODUCED IN ANY WAY, AND MAY NOT BE PASSED ON TO A THIRD PARTY WITHOUT WRITTEN PERMISSION.
 OWNERSHIP AND COPYRIGHT OF CONEC GmbH
 DO NOT ALTER CAD DRAWING BY HAND

				tolerance				scale: 1:1	
								material: SEE NOTES	
				2007	date	name		title: METAL HOOD 9pos. EMI/RFI SHIELDING with side cable entry and jack screw M3	
				drawn	07.11.	Petker			
				appd.	07.11.	Mickenbecker			
				norm					
				d-old					
5 x b	Ä 4171	04.01.2012	Lehmen.			dwg no: AutoCAD		DIN-A	
a	Original					16K1A2171		4	
rev.	description	date	name			product no: (b) 165X02729X		sh:1/2	

4

3

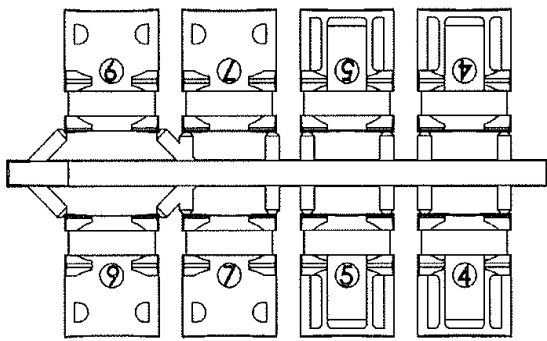
2

1

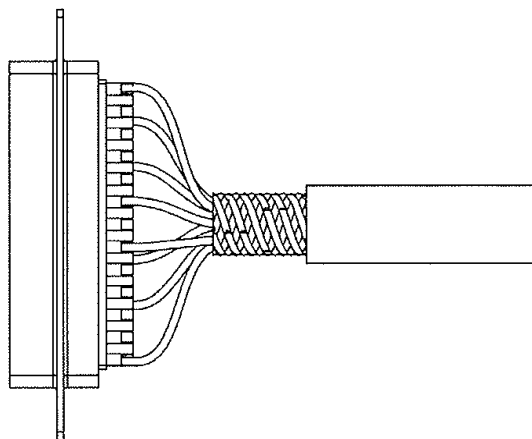
used for: D-SUB

ASSEMBLY INSTRUCTION:

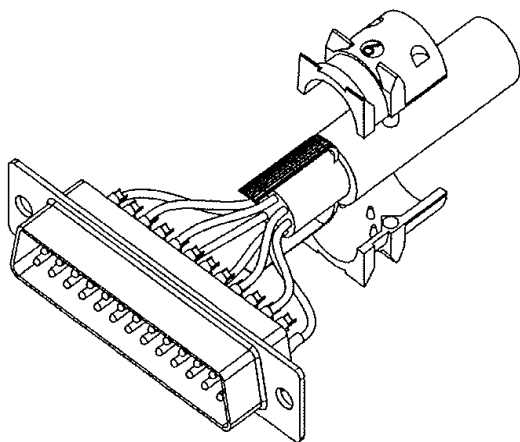
Use two halves of strain relief
different sizes can be mixed



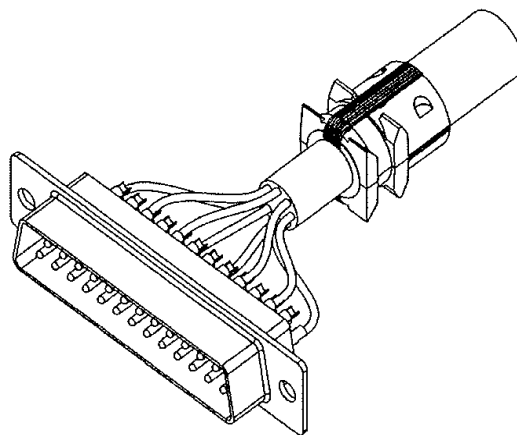
Strip cable 18mm and
shape cable to two pigtails



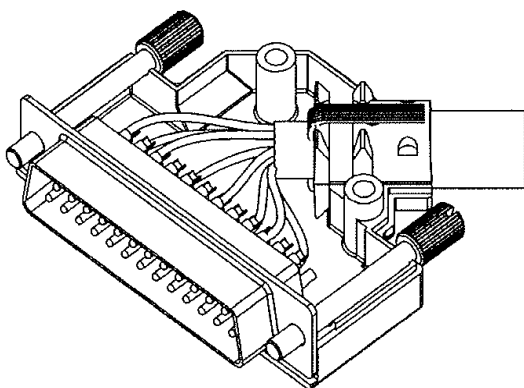
Attach the strain relief around the cable



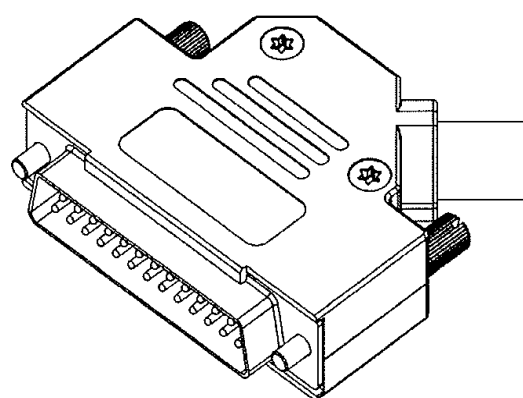
Bend cable shielding back
on outside of strain relief



Mount connector and cable
into the backshell



Assemble the other half
screwing force: 100-120 Ncm.



THIS DRAWING MAY NOT BE COPIED OR REPRODUCED IN ANY WAY, AND MAY NOT BE PASSED ON TO A THIRD PARTY WITHOUT WRITTEN PERMISSION.
OWNERSHIP AND COPYRIGHT OF CONEC GmbH
DO NOT ALTER CAD DRAWING BY HAND

				tolerance			scale:	
				dim. in mm			material:	
				2012	date	name	title: ASSEMBLY INSTRUCTION METAL HOOD 9pos. EMI/RFI SHIELDING with side cable entry and jack screw M3	
				drawn	04.01.	Lehmenkühler		
				appd.	04.01.	Fischer		
				norm				
				d-old				
a	Original			CONEC [®]			dwg no:	DIN-A 4
rev.	description	date	name				part no:	SEE SHEET 1

4

3

2

1