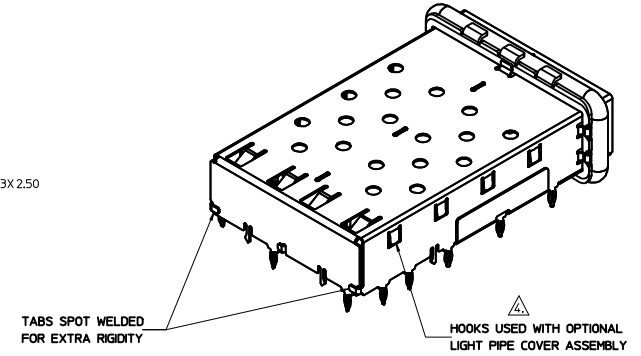
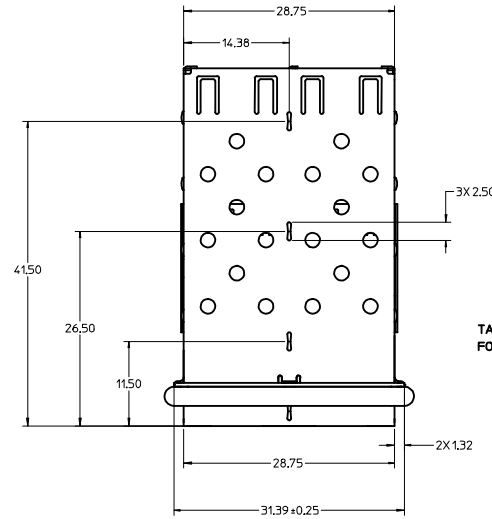
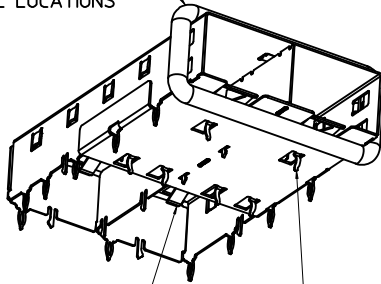


NOTES:

1. PRESS FIT LEGS 3.05 LONG-
1.57 MINIMUM PCB THICKNESS FOR SINGLE SIDED USE.
3.00 MINIMUM PCB THICKNESS FOR BELLY TO BELLY USE.
 2. MATERIAL: COPPER ALLOY
PLATING: NONE
NOTE: A NICKEL PLATED VERSION OF THIS ASSEMBLY IS AVAILABLE.
REFER TO DOCUMENT SD-74722-004
 3. REFERENCE DOCUMENTS:
PRODUCT SPECIFICATION: PS-74728-000
COSMETIC SPECIFICATIONS: WI-HP-2774 AND WI-HPA-7-0093
TEST SUMMARY: TS-73927-0250.
- ⚠ MATES WITH SERIES 74727. LIGHT PIPE COVER ASSEMBLY.
5. NO RoHS EXEMPTIONS.



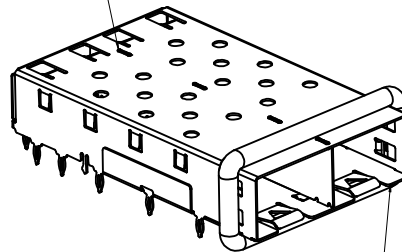
360° ELASTOMER EMI GASKET COMPLIES WITH (SFP) MSA BOARD AND BEZEL LOCATIONS



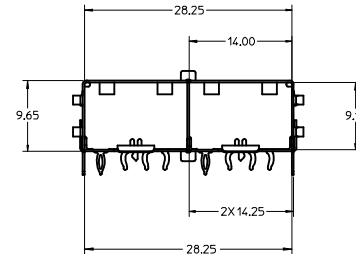
EMI FINGERS CONTACT ADAPTER

6 UNDER BELLY EMI PINS

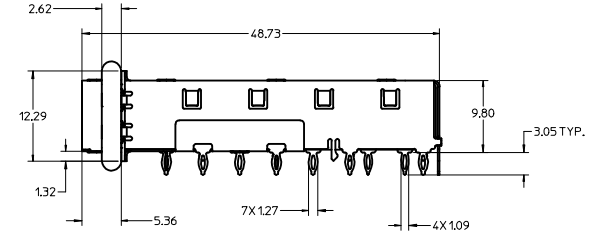
INNER WALL TABS ARE COINED OVER BASE AND COVER FOR RIGIDITY



DIMENSIONS OF EACH INNER CAGE DESIGNED TO FUNCTION WITH SMALL FORM-FACTOR PLUGGABLE (SFP) TRANSCEIVER



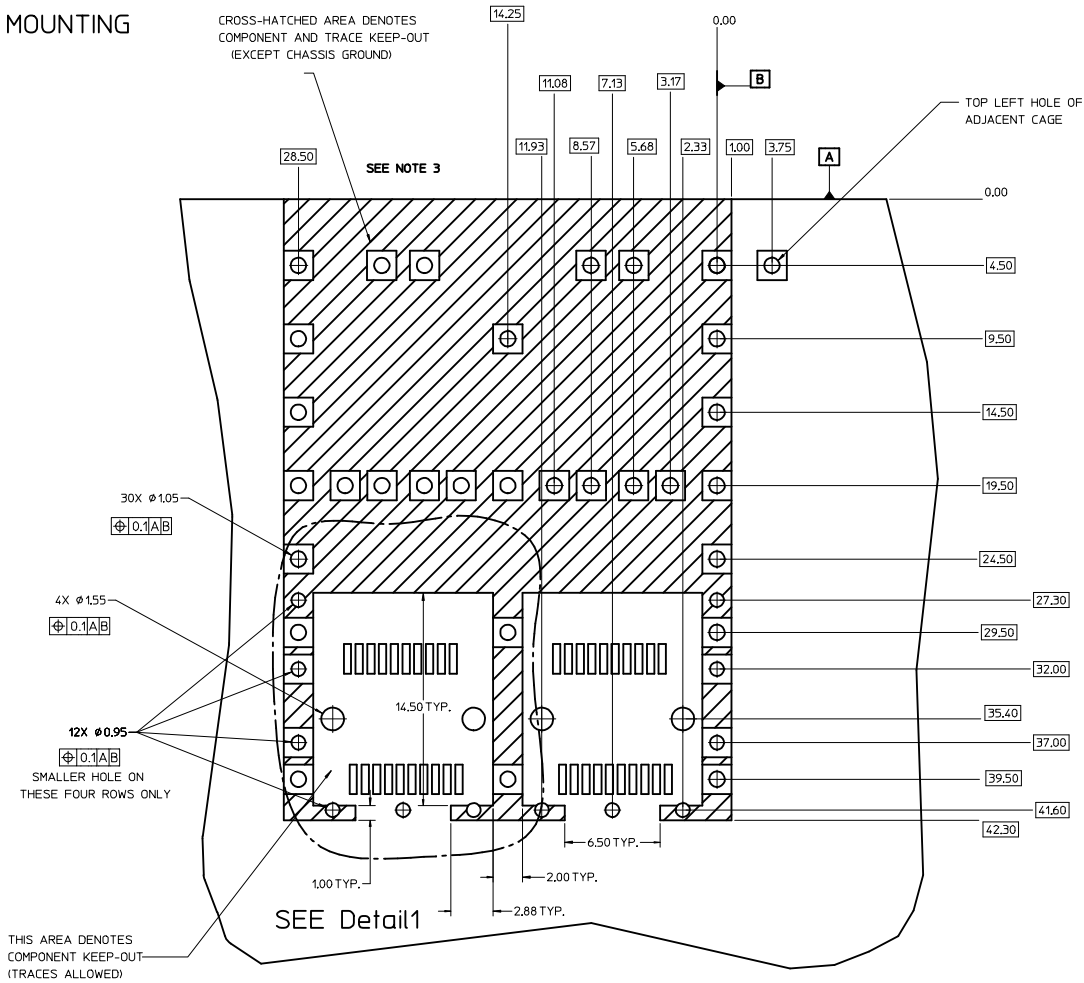
GASKET AND FRAME REMOVED FOR CLARITY



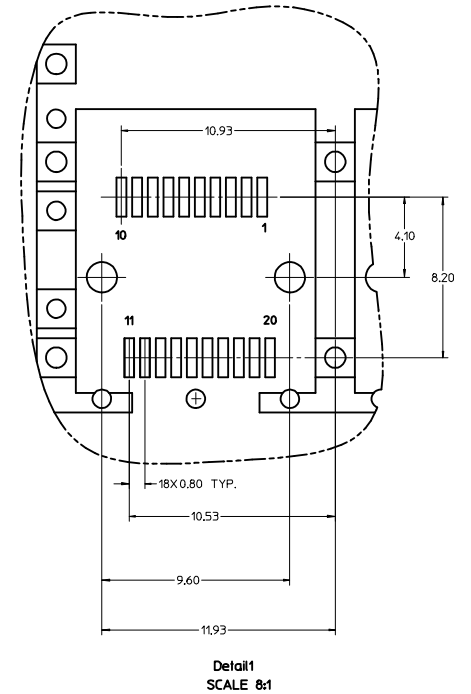
PART NUMBER	ELASTOMERIC GASKET
739270250	FLAMMABILITY RATING
739270254	EQUATE TO UL94 V-0

SEE REVISION TABLE EC NO: CPG2014-3377 DRAWN BY: DRWNR/CHEN08 2014/05/05 CHECKED BY: CHYKEMAN07 2014/06/25 APPROVED BY: APPR/CHEN08 2014/06/26	QUALITY SYMBOLS	GENERAL TOLERANCES (UNLESS SPECIFIED)	DIMENSION STYLE	SCALE	DESIGN UNITS	THIRD ANGLE PROJECTION
	▽=0	4 PLACES ± 0.13	MM ONLY	3:1	METRIC	☉
	▽=0	3 PLACES ± 0.25	INCH			
	▽=0	2 PLACES ± 0.25				
		ANGULAR ± 1°	DRAWN BY: DATE			TITLE
		DRAFT WHERE APPLICABLE MUST REMAIN WITHIN DIMENSIONS	KS IMONSO 2003/09/25			1X2 SFP GANGED CAGE ASSEMBLY PRESS FIT
			CHECKED BY: DATE			molex DOCUMENT NO. SD-73927-250
			BRUSSELL 2003/10/27			
			APPROVED BY: DATE			
			KJANOTA 2010/03/16			
			MATERIAL NO.			
			SEE P/N TABLE			
			THIS DRAWING CONTAINS INFORMATION THAT IS PROPRIETARY TO MOLEX INCORPORATED AND SHOULD NOT BE USED WITHOUT WRITTEN PERMISSION			

PCB LAYOUT FOR BELLY TO BELLY MOUNTING



HOST CONNECTOR DETAIL



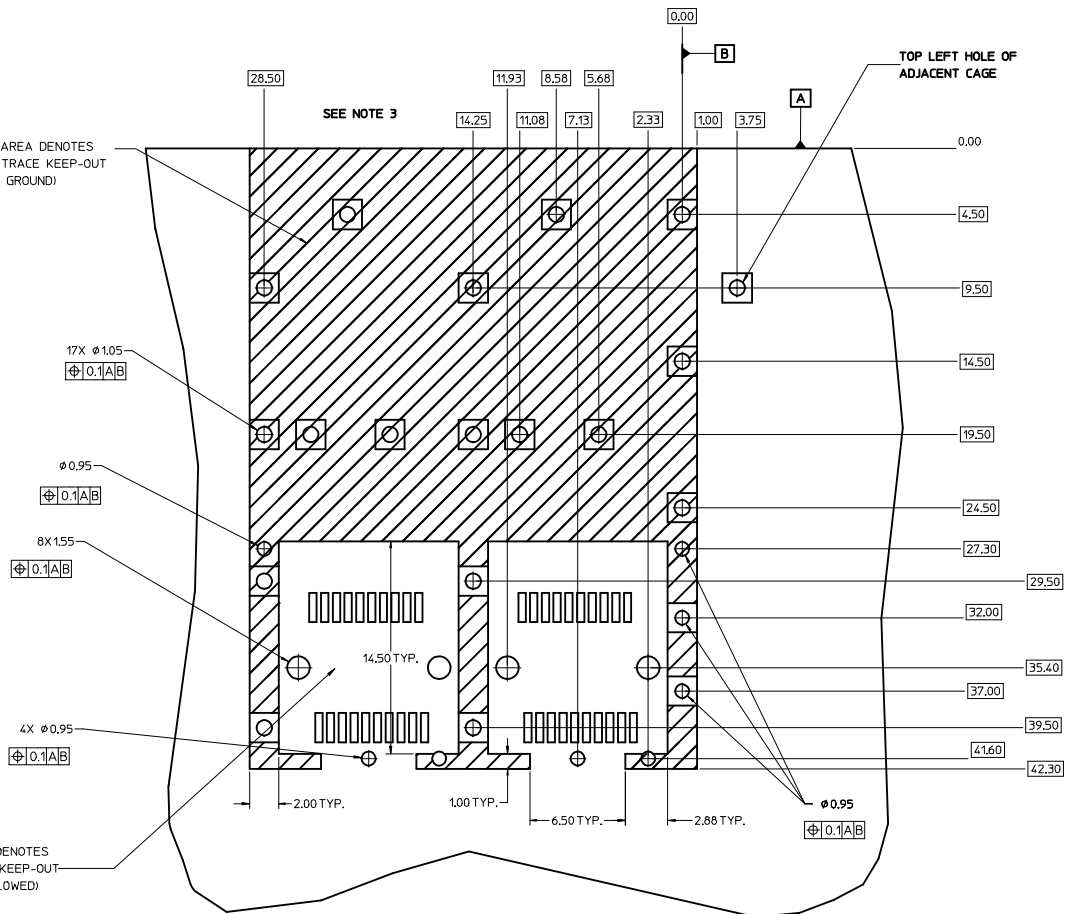
NOTES:

1. PADS AND VIAS GO TO CHASSIS GROUND, (34 PLACES), RECOMMENDED PADS TO BE 2mm SQUARE.
2. PLATING OPTIONAL FOR THROUGH HOLES (8 PLACES)
3. RECOMMENDED PLATING INCLUDES HASL, IMMERSION (GOLD, SILVER, OR TIN), AND OSP.
4. HOLE PATTERN REPEATS FOR EACH PORT, SPACING BETWEEN PORTS IS 14.25
5. CONNECTOR PAD LAYOUT PER SFP MSA. WILL ACCOMODATE MOLEX CONNECTOR SERIES 74441 OR EQUIVALENT.

SEE REVISION TABLE	QUALITY SYMBOLS	GENERAL TOLERANCES (UNLESS SPECIFIED)		DIMENSION STYLE		SCALE	DESIGN UNITS	THIRD ANGLE PROJECTION
		mm	INCH	MM ONLY	DATE			
▽=0	4 PLACES	±0.13	±---	DATE	2003/09/25	6:1	METRIC	1X2 SFP GANGED CAGE ASSEMBLY PRESS FIT
▽=0	3 PLACES	±---	±---	CHECKED BY	BRUSSELL			
▽=0	2 PLACES	±0.13	±---	APPROVED BY	KJANOTA	DATE	2010/03/16	
▽=0	1 PLACE	±0.25	±---	MATERIAL NO.	SEE P/N TABLE	DOCUMENT NO.	SD-73927-250	
	0 PLACE	±	±	SIZE	D	THIS DRAWING CONTAINS INFORMATION THAT IS PROPRIETARY TO MOLEX INCORPORATED AND SHOULD NOT BE USED WITHOUT WRITTEN PERMISSION		SHEET NO. 2 OF 5

PCB LAYOUT FOR SINGLE SIDE MOUNTING

CROSS-HATCHED AREA DENOTES
COMPONENT AND TRACE KEEP-OUT
(EXCEPT CHASSIS GROUND)



NOTES:

1. PADS AND VIAS GO TO CHASSIS GROUND, (19 PLACES). RECOMMENDED PADS TO BE 2mm SQUARE.
2. PLATING OPTIONAL FOR THROUGH HOLES (6 PLACES)
3. RECOMMENDED PLATING INCLUDES HASL, IMMERSION (GOLD, SILVER, OR TIN), AND OSP.
4. HOLE PATTERN REPEATS FOR EACH PORT, SPACING BETWEEN PORTS IS 14.25
5. CONNECTOR PAD LAYOUT PER SFP MSA. WILL ACCOMODATE MOLEX CONNECTOR SERIES 74441 OR EQUIVALENT.

SEE REVISION TABLE		QUALITY SYMBOLS	GENERAL TOLERANCES (UNLESS SPECIFIED)		DIMENSION STYLE		SCALE	DESIGN UNITS	THIRD ANGLE PROJECTION
REV	DESCRIPTION	▽=0	mm	INCH	MM ONLY		6:1	METRIC	☉
D	DRYNRCHEN08 2014/05/05 CHYKEMANG07 2014/06/25 APPRCHEN08 2014/06/26	▽=0	±	±	DRAWN BY DATE KSI MONSO 2003/09/25				TITLE 1X2 SFP GANGED CAGE ASSEMBLY PRESS FIT
		▽=0	±0.13	±	CHECKED BY DATE BRUSSELL 2003/10/27				
		▽=0	±0.25	±	APPROVED BY DATE KJANOTA 2010/03/16				
			ANGULAR ± 1 °		MATERIAL NO.				
			DRAFT WHERE APPLICABLE MUST REMAIN WITHIN DIMENSIONS		SEE P/N TABLE				
					DOCUMENT NO.				
					SD-73927-250				
					SHEET NO.				
					3 OF 5				

REVISION HISTORY

DATE	REV	DESCRIPTION
10/27/2003	A	INITIAL RELEASE
10/06/2005	B	ADDED PCB AND BEZEL LAYOUT
12/10/2009	C	ADDED ISO VIEW WITH WELD CALLOUT
05/05/2014	D	1. ADDED 739270254 [SHT 1] 2. ADDED "MM 3D MODEL: TM-74722-000" ON LEFT TOP CORNER [SHT 1] 3. NOTE 5 CHANGED AS "NO RoHS EXEMPTIONS" [SHT 1] 4. REMOVE ALL DIMENSIONS IN INCH [SHT 1 TO 4].

SEE REVISION TABLE IEC NO: CPG2014-3377 D 2014/05/05 CHYKDEWANG07 2014/06/25 APPR:RCHEN08 2014/06/26	QUALITY SYMBOLS	GENERAL TOLERANCES (UNLESS SPECIFIED)	DIMENSION STYLE	SCALE	DESIGN UNITS	THIRD ANGLE PROJECTION
	▽=0	4 PLACES ± mm INCH	MM ONLY	3:1	METRIC	☉
	▽=0	3 PLACES ± 0.13				
	▽=0	2 PLACES ± 0.25				
	ANGULAR ± 1 °	DRAFT WHERE APPLICABLE MUST REMAIN WITHIN DIMENSIONS	MATERIAL NO.	DATE	TITLE	
			SEE P/N TABLE	2010/03/16	1X2 SFP GANGED CAGE ASSEMBLY PRESS FIT	
			SIZE D			
			THIS DRAWING CONTAINS INFORMATION THAT IS PROPRIETARY TO MOLEX INCORPORATED AND SHOULD NOT BE USED WITHOUT WRITTEN PERMISSION			

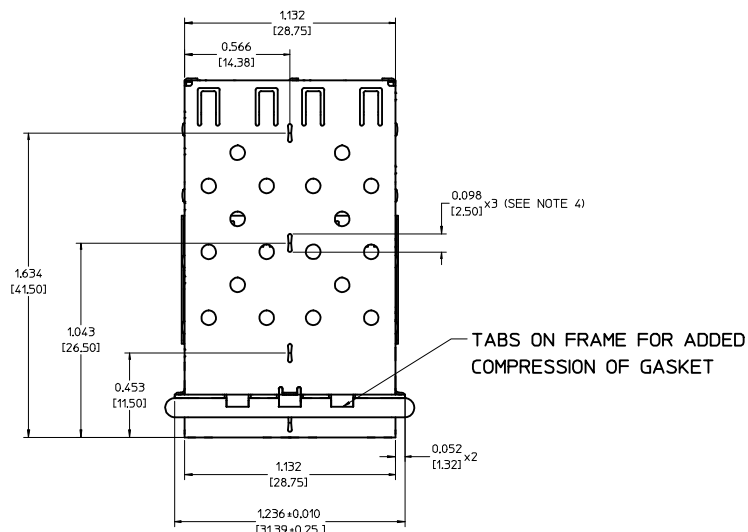
molex

DOCUMENT NO. SD-73927-250

SHEET NO. 5 OF 5

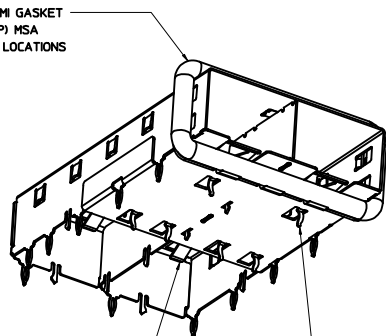
NOTES:

1. PRESS FIT LEGS 0.120" LONG-
0.062 [1.57] MINIMUM PCB THICKNESS FOR SINGLE SIDED USE.
THIS CAGE IS NOT DESIGNED FOR USE IN BELLY-TO-BELLY APPLICATIONS.
2. MATERIAL: COPPER ALLOY
PLATING: PRE-PLATED NICKEL
3. REFERENCE DOCUMENTS:
PRODUCT SPECIFICATION: PS-74728-000
COSMETIC SPECIFICATIONS: WI-HP-2774 AND WI-HPA-7-0093
TEST SUMMARY: TS-74722-0001.
4. MATES WITH SERIES 74727, LIGHT PIPE COVER ASSEMBLY.
5. THIS PART MEETS THE RESTRICTION OF HAZARDOUS SUBSTANCES IN ELECTRICAL AND ELECTRONIC EQUIPMENT (ROHS) DIRECTIVE (2002/95/EC).



TABS ON FRAME FOR ADDED COMPRESSION OF GASKET

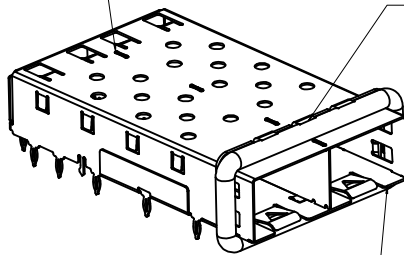
360° ELASTOMER EMI GASKET COMPLIES WITH (SFP) MSA BOARD AND BEZEL LOCATIONS



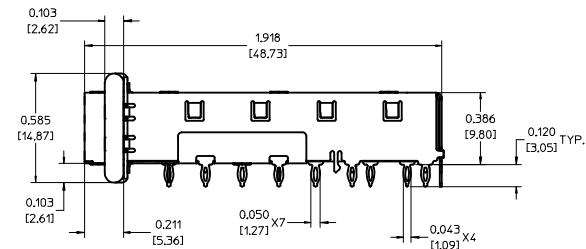
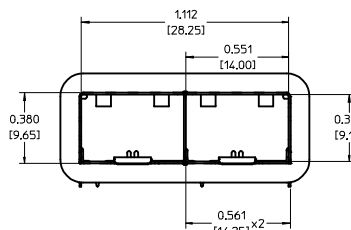
EMI FINGERS CONTACT ADAPTER

6 UNDER BELLY EMI PINS

INNER WALL TABS ARE COINED OVER BASE AND COVER FOR RIGIDITY



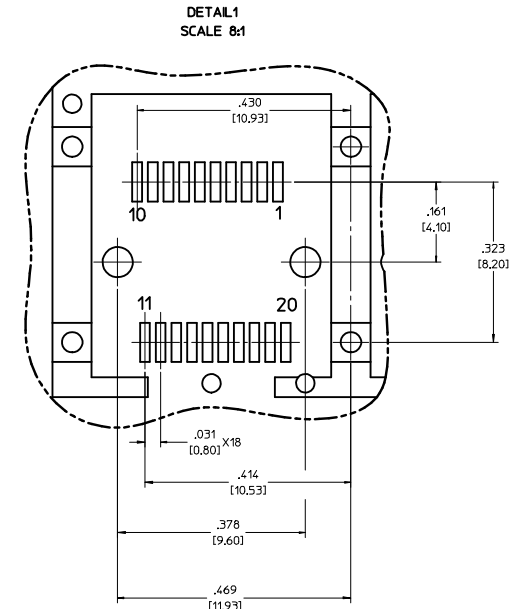
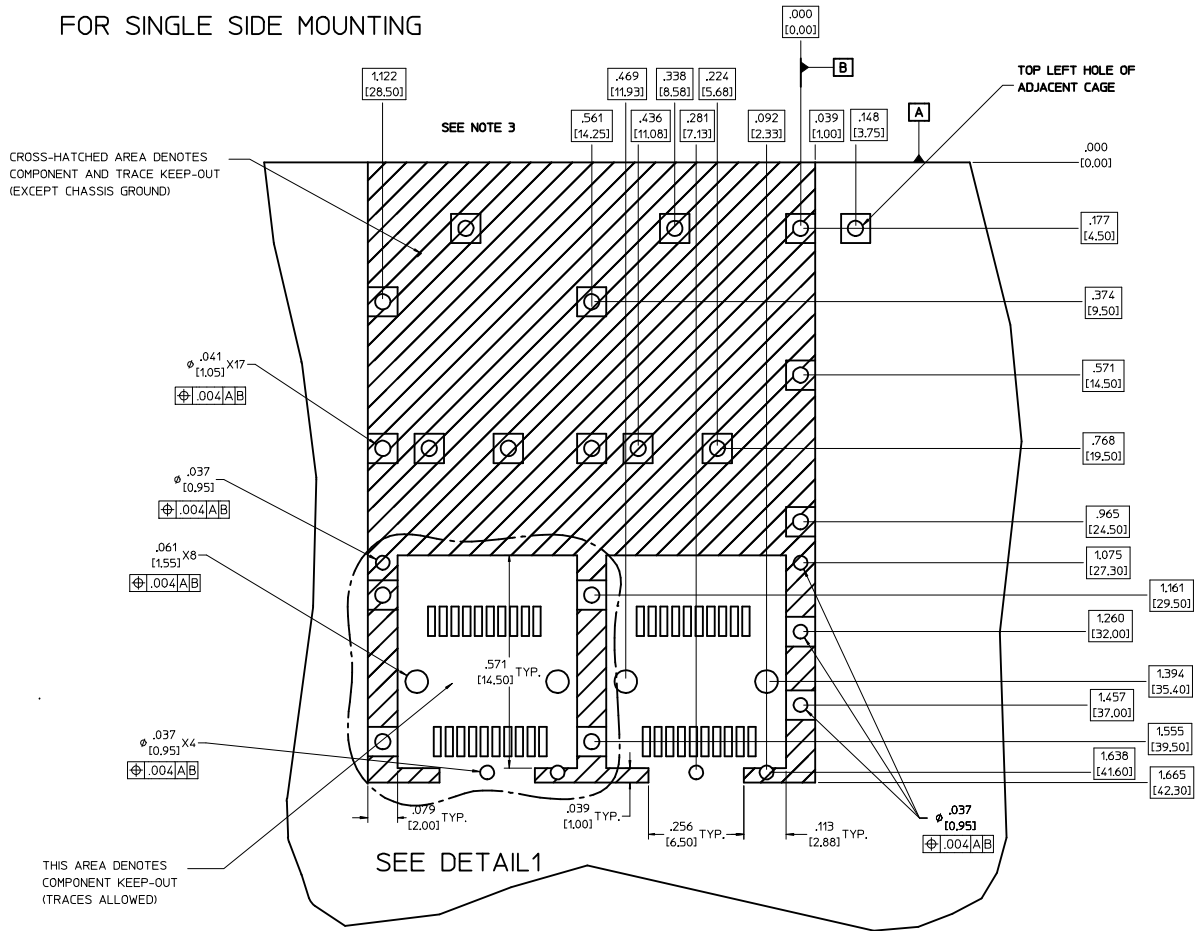
FRAME HAS TABS TO ADD COMPRESSION OF GASKET AGAINST CAGE FOR ENHANCED EMI PERFORMANCE. GASKET SEAM IS LOCATED ON TOP OF CAGE.



DIMENSIONS OF EACH INNER CAGE DESIGNED TO FUNCTION WITH SMALL FORM-FACTOR PLUGGABLE (SFP) TRANSCEIVER

ENTER DESCRIPTION IEC NO: USY2006-0073 DRAWN BY: KSI MONSON CHYKORUSSELL APPROVED BY: BRUSSELL DATE: 2006/01/17 DATE: 2006/01/20 DATE: 2006/01/25	QUALITY SYMBOLS ▽=0 ▽=0	GENERAL TOLERANCES (UNLESS SPECIFIED)		DIMENSION STYLE IN/MM	SCALE 3:1	DESIGN UNITS METRIC	THIRD ANGLE PROJECTION		
		4 PLACES ± --- ± ---	3 PLACES ± --- ± .005	2 PLACES ± 0.13 ± .010	1 PLACE ± 0.25 ± ---	DRAWN BY: KSI MONSON DATE: 2005/10/06	CHECKED BY: BRUSSELL DATE: 2005/10/06	APPROVED BY: BRUSSELL DATE: 2005/10/06	TITLE: 1X2 SFP GANGED CAGE ASSY. FRAME W/ TABS PRE-PLATED
		ANGULAR ± 1°		DRAFT WHERE APPLICABLE MUST REMAIN WITHIN DIMENSIONS		MATERIAL NO: 747220004	DOCUMENT NO: SD-74722-004	MOLEX INCORPORATED	SHEET NO. 1 OF 4
		THIS DRAWING CONTAINS INFORMATION THAT IS PROPRIETARY TO MOLEX INCORPORATED AND SHOULD NOT BE USED WITHOUT WRITTEN PERMISSION							

PCB LAYOUT FOR SINGLE SIDE MOUNTING



NOTES:
1. PADS AND VIAS GO TO CHASSIS GROUND. (19 PLACES).
RECOMMENDED PADS TO BE 2mm SQUARE.

2. PLATING OPTIONAL FOR THROUGH HOLES (6 PLACES)

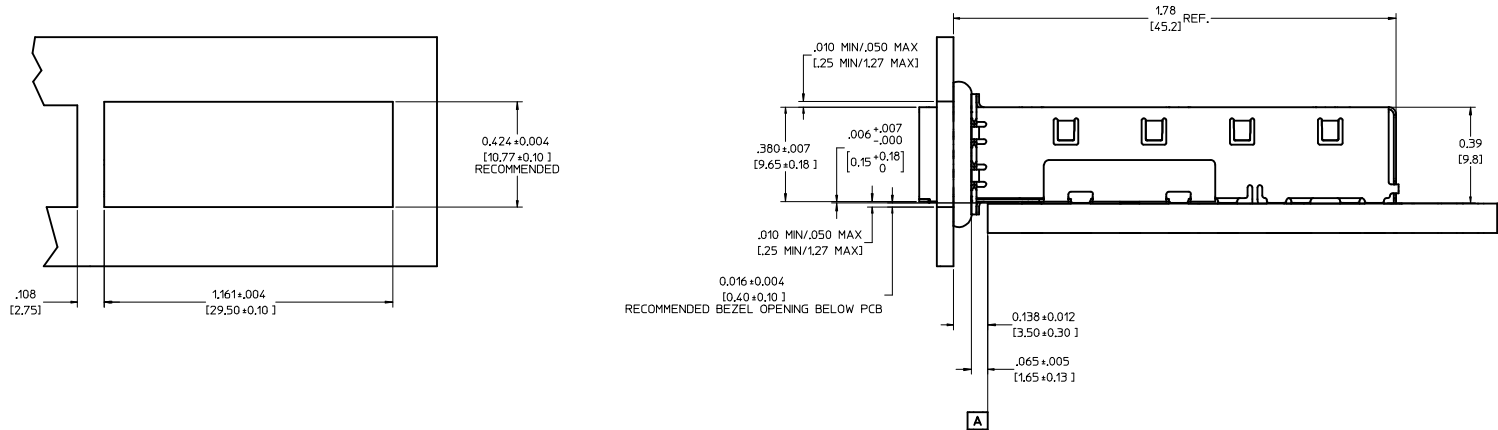
3. RECOMMENDED PLATING INCLUDES HASL, IMMERSION (GOLD, SILVER, OR TIN), AND OSP.

4. HOLE PATTERN REPEATS FOR EACH PORT.
SPACING BETWEEN PORTS IS 0.561 [14.25]

5. CONNECTOR PAD LAYOUT PER SFP MSA. WILL ACCOMMODATE MOLEX
CONNECTOR SERIES 74441 OR EQUIVALENT.

ENTER DESCRIPTION IEC NO: USY2006-0073 DRAWN BY: KSI MONSON 2006/01/17 CHECKED BY: CHYD BRUSSELL 2006/01/20 APPROVED BY: BRUSSELL 2006/01/25	QUALITY SYMBOLS ▽=0 ▽=0	GENERAL TOLERANCES (UNLESS SPECIFIED)		DIMENSION STYLE IN/MM	SCALE 6:1	DESIGN UNITS METRIC	THIRD ANGLE PROJECTION		
		4 PLACES ±.005 ±.005	3 PLACES ±.005 ±.005	2 PLACES ±0.13 ±0.10	1 PLACE ±0.25 ±.005	DRAWN BY: KSI MONSON DATE: 2005/10/06	CHECKED BY: BRUSSELL DATE: 2005/10/06	TITLE: 1X2 SFP GANGED CAGE ASSY, FRAME W/ TABS PRE-PLATED	
		ANGULAR ± 1°		DRAFT WHERE APPLICABLE MUST REMAIN WITHIN DIMENSIONS		APPROVED BY: BRUSSELL DATE: 2005/10/06	MOLEX INCORPORATED		
		MATERIAL NO. 747220004		DOCUMENT NO. SD-74722-004		SHEET NO. 2 OF 4			

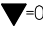
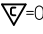
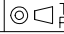
BEZEL AND BOARD POSITION DIMENSIONS FOR SINGLE SIDE MOUNTING



ENTER DESCRIPTION IEC NO: USY2006-0073 DRAWN BY: DRINKS IMONSON 2006/01/17 CHECKED BY: CHYKORUSSELL 2006/01/20 APPROVED BY: APPR:BRUSSELL 2006/01/25	QUALITY SYMBOLS ▽=0 ▽=0	GENERAL TOLERANCES (UNLESS SPECIFIED)		DIMENSION STYLE IN/MM	SCALE 4:1	DESIGN UNITS METRIC	THIRD ANGLE PROJECTION		
		4 PLACES ± .005 ± .005 3 PLACES ± .010 ± .010 2 PLACES ± 0.13 ± .010 1 PLACE ± 0.25 ± .010	DRAWN BY: KS IMONSON 2005/10/06 CHECKED BY: BRUSSELL 2005/10/06 APPROVED BY: BRUSSELL 2005/10/06	TITLE 1X2 SFP GANGED CAGE ASSY, FRAME W/ TABS PRE-PLATED		MATERIAL NO. 747220004		DOCUMENT NO. SD-74722-004	
		DRAFT WHERE APPLICABLE MUST REMAIN WITHIN DIMENSIONS		ANGULAR ± 1°		MOLEX INCORPORATED		SHEET NO. 3 OF 4	
		THIS DRAWING CONTAINS INFORMATION THAT IS PROPRIETARY TO MOLEX INCORPORATED AND SHOULD NOT BE USED WITHOUT WRITTEN PERMISSION							

20 19 18 17 16 15 14 13 12 11 10 9 8 7 6 5 4 3 2 1

DATE	REV	CHANGES	COMMENTS
2005/10/06	A	INITIAL RELEASE	N/A

ENTER DESCRIPTION IEC NO: USY2006-0073 DRAWN BY: DRANKS IMONSON 2006/01/17 CHECKED BY: CHYD BRUSSELL 2006/01/20 APPR: BRUSSELL 2006/01/25	QUALITY SYMBOLS  = 0  = 0	GENERAL TOLERANCES (UNLESS SPECIFIED)		DIMENSION STYLE IN/MM	SCALE 1:1	DESIGN UNITS METRIC	 THIRD ANGLE PROJECTION
		4 PLACES ± --- ± --- 3 PLACES ± --- ± .005 2 PLACES ± 0.13 ± .010 1 PLACE ± 0.25 ± ---	DRAWN BY: DATE KS IMONSON 2005/10/06	TITLE 1X2 SFP GANGED CAGE ASSY. FRAME W/ TABS PRE-PLATED			
		ANGULAR ± 1°	CHECKED BY: DATE BRUSSELL 2005/10/06	MATERIAL NO. 747220004			
		DRAFT WHERE APPLICABLE MUST REMAIN WITHIN DIMENSIONS	APPROVED BY: DATE BRUSSELL 2005/10/06	DOCUMENT NO. SD-74722-004		SHEET NO. 4 OF 4	



19 18 17 16 15 14 13 12 11 10 9 8 7 6 5 4 3 2 1