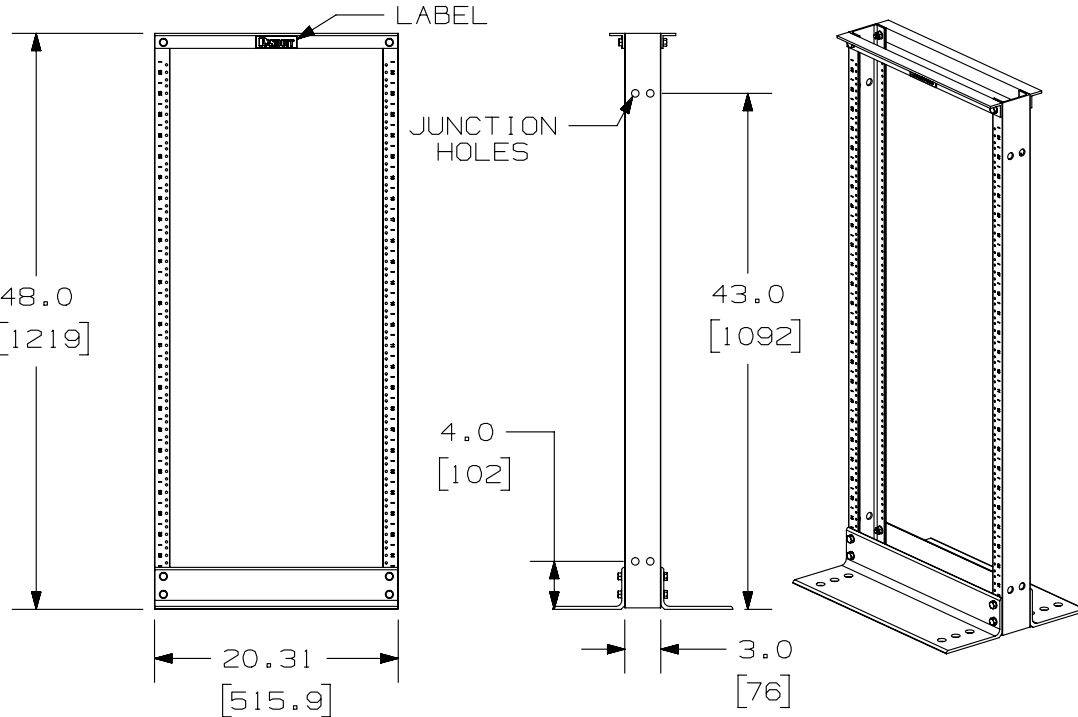


THIS COPY IS PROVIDED ON A RESTRICTED BASIS AND IS NOT TO BE USED IN ANY WAY DETRIMENTAL TO THE INTERESTS OF PANDUIT CORP.



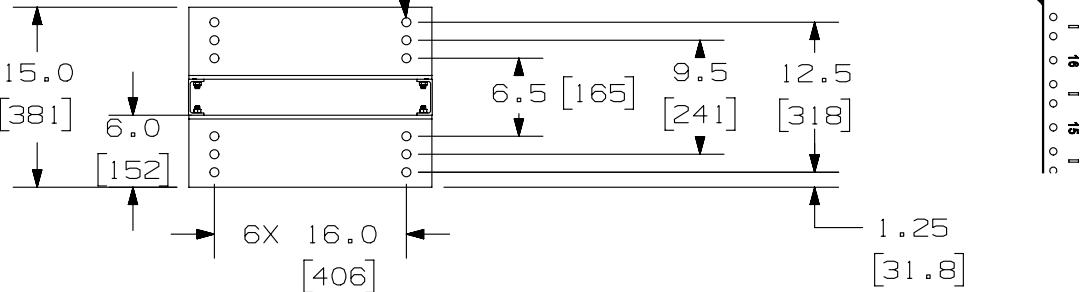
PANDUIT P/N	WEIGHT
R2P48	18.40 LB/EACH (8.35 KG/EACH)

NOTES:

- CAN BE USED WITH ANY INDUSTRY STANDARD 19" COMPONENTS IN ADDITION TO ALL PANDUIT CABLE MANAGEMENT AND PATCH PANEL PRODUCTS.
- WILL HOLD UP TO 24 SINGLE RACK SPACINGS.
- UNIVERSAL SPACING ON RACK: I.E., REF. HOLE SPACING ON UPRIGHT CHANNELS: .625, .625, .500, .625, .625, .500, ETC.
- ASSEMBLY IS REQUIRED.
- RACK PART THICKNESSES:
 - UPRIGHT CHANNELS: WEB; .14 ±.03
FLANGE; .19 ±.03
 - TOP BRACKET: .19 ±.03
 - BASE BRACKET: .25 ±.03
- DIMENSIONS IN PARENTHESSES ARE IN METRIC.
- ALL ASSEMBLY HARDWARE INCLUDED:
 - (12) 3/8-16 X 1" BLACK HEX HEAD CAP SCREW.
 - (24) 3/8" PAINT PIERCING GROUNDING WASHER.
 - (1) TUBE OF ANTI-OXIDIZING PASTE.
 - (12) 3/8-16 BLACK HEX NUTS.
 - (24) 12-24 X .5" SLOTTED PAN HEAD STEEL SCREWS.
- LOAD RATING-300 LBS.
- RU SPACINGS ARE CLEARLY MOUNTED ON MOUNTING RAILS. RU NUMBERING IS BOTTOM-UP, WITH RU #1 AT BOTTOM AND RU #24 AT TOP.

12X .75 DIA (REF.)
[19.0]
FLOOR MOUNTING HOLE
(6 PLACES ON EACH
BASE BRACKET)

CLOSE UP
OF VERTICAL
CHANNEL



TITLE		CUSTOMER DRAWING	
4 FT CABLE MANAGEMENT RACK (R2P48)		PANDUIT™	
ITEM REVISION NAME		MATERIAL:	
09V064AB/01			
DATASET FILE NAME		DRAWING NUMBER:	
09V064AB_DC/01A		09V064AB-DC	
DRAWN BY		SCALE	
BAME		NONE	
DATE		SHT 1 OF 1	
5-26-10		A	
CHK		SIZE	
DPN		A	
THIRD ANGLE PROJECTION			

REV	DATE	BY	CHK	APR	DESCRIPTION	ECN
01A	11-14-13	BAME	PM	CMK	REVISED VIEWS AND TITLE BLOCK	09V064AB-DC
00A	5-26-10	BAME	DPN	CMK	DRAWING RELEASED	09V064AB-DC

D10100DA/12