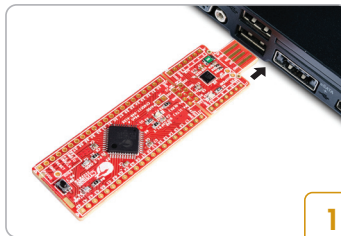
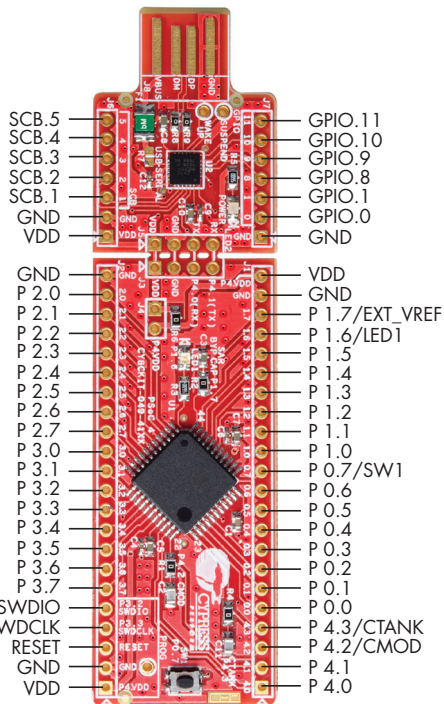
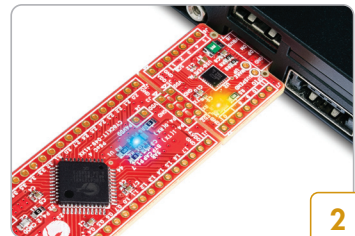


# CY8CKIT-049-41xx PSoC® 4 PROTOTYPING KIT QUICK START GUIDE



- Connect the board to your computer using the USB connector



- Amber LED indicates power on
- Blue LED on the board Blinks



For more information on the kit, please go to the following web page:

[www.cypress.com/CY8CKIT-049-41xx](http://www.cypress.com/CY8CKIT-049-41xx)

**Thank you for supporting PSoC®!**

© 2014 Cypress Semiconductor Corporation. All rights reserved.  
All trademarks or registered trademarks referenced herein are the  
properties of their respective owners. Doc.# 001-89349 Rev.\*\*



**PSOC<sup>®</sup> Rocks!**