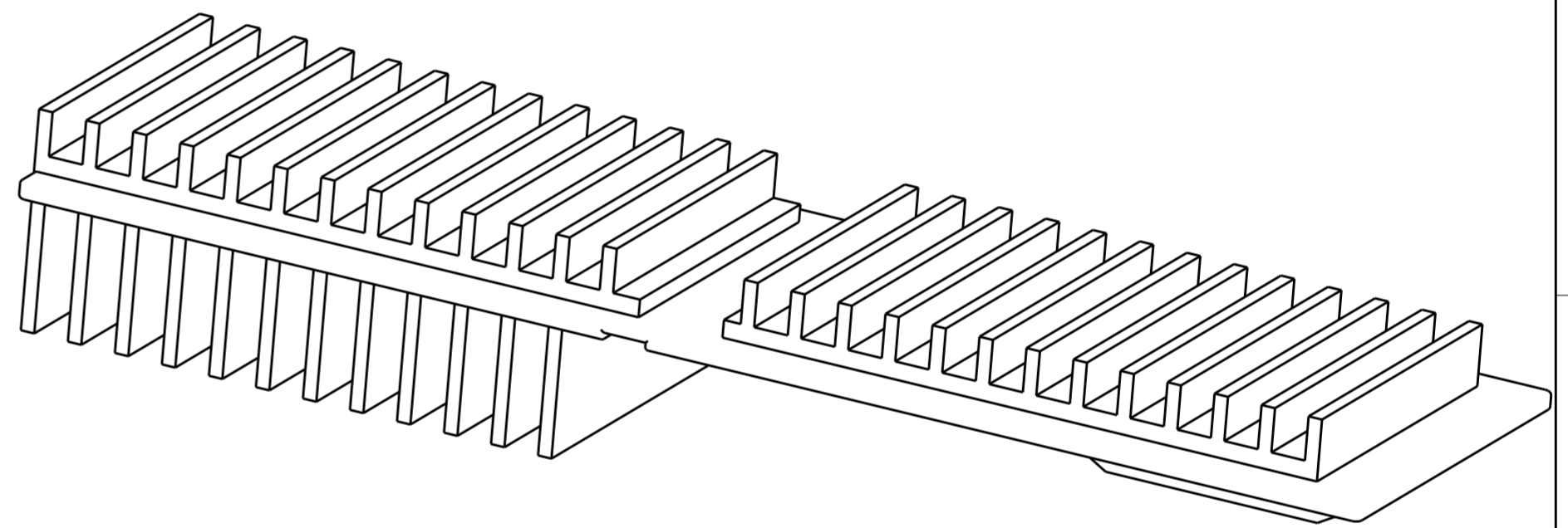
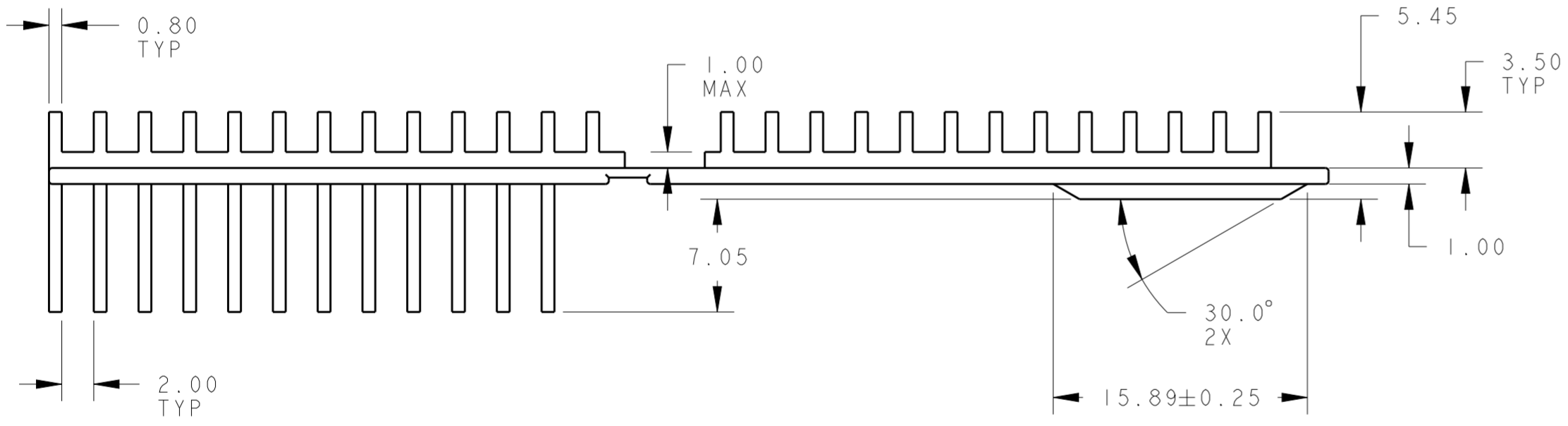
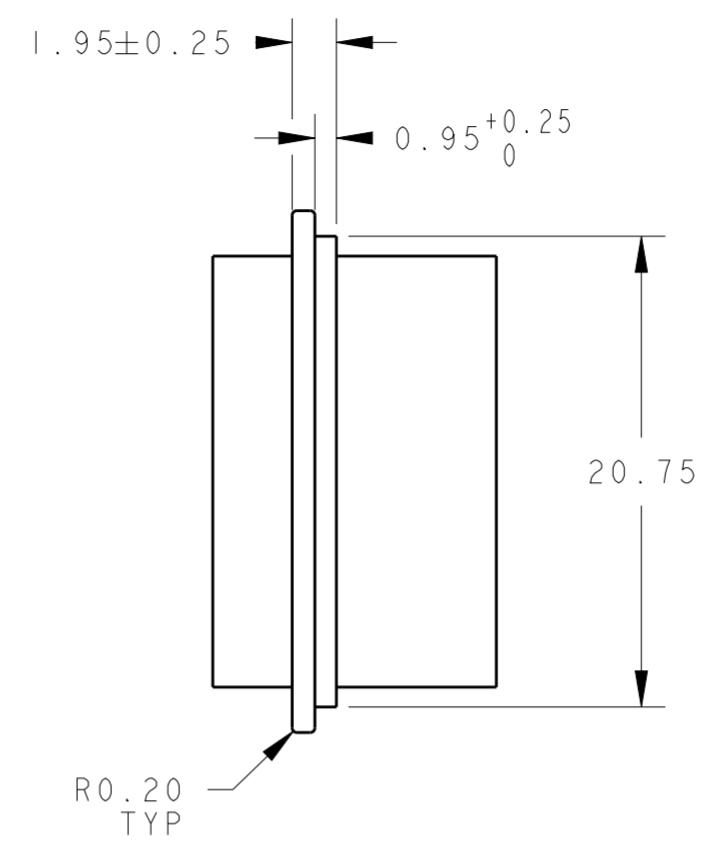
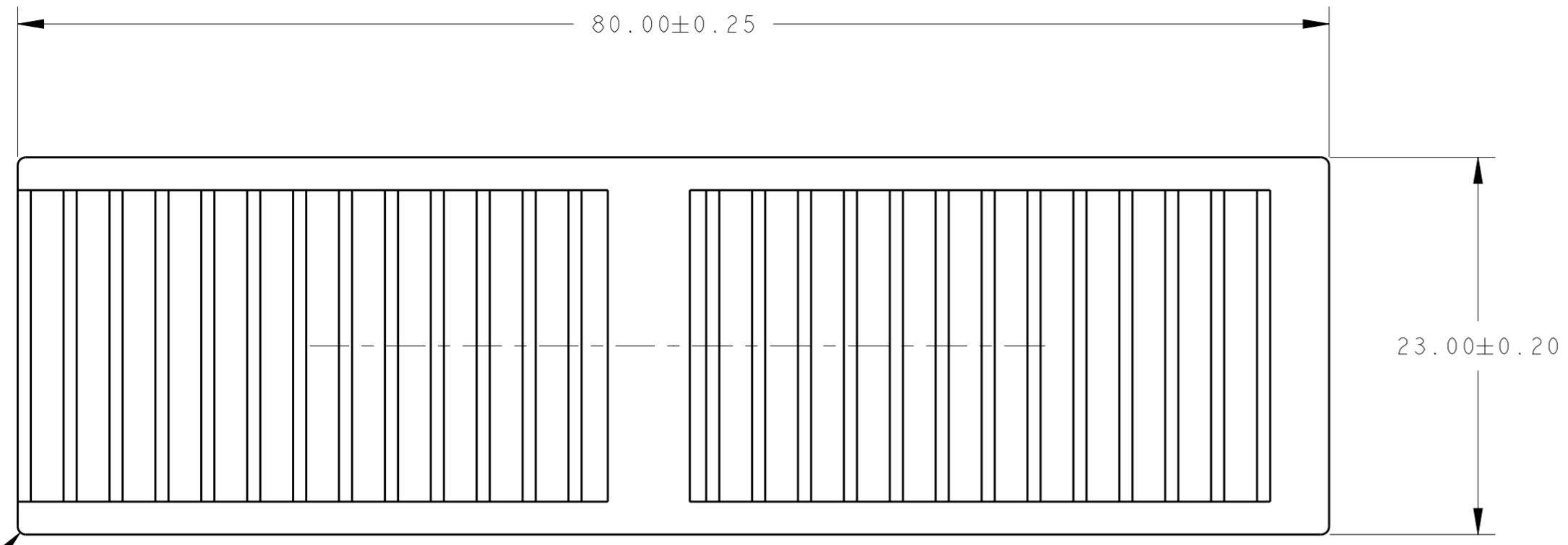


THIS DRAWING IS UNPUBLISHED. RELEASED FOR PUBLICATION 20
 © COPYRIGHT 20 BY TYCO ELECTRONICS CORPORATION. ALL INTERNATIONAL RIGHTS RESERVED.

LOC	DIST	REVISIONS			
P	LTR	DESCRIPTION	DATE	DWN	APVD
AD	00	1 ORIGINAL	26SEP2013	BM	SB



- NOTES:
 UNLESS OTHERWISE SPECIFIED
 1. INTERPRET DRAWING PER ASME Y14.5M - 1994.
 2. 0,2mm MAX BURR.
 3. VARIATION IN PLATING COLOR IS NORMAL AND ALLOWED.
 4. RoHS COMPLIANT AND CERTIFIED.

PRELIMINARY PART- NOT RELEASED FOR PRODUCTION

NICKEL PLATED	ALUMINUM	2274303-3
FINISH	MATERIAL	PART NUMBER

THIS DRAWING IS A CONTROLLED DOCUMENT FOR TYCO ELECTRONICS CORPORATION IT IS SUBJECT TO CHANGE AND THE CONTROLLING ENGINEERING ORGANIZATION SHOULD BE CONTACTED FOR THE LATEST REVISION.		DWN B. MATTHEWS 26SEP2013 CHK S. BOLASH 26SEP2013 APVD S. BOLASH 26SEP2013	Tyco Electronics Corporation Harrisburg, PA 17105-3608
DIMENSIONS: mm 	TOLERANCES UNLESS OTHERWISE SPECIFIED: 0 PLC ± 1 PLC ±0.5 2 PLC ±0.25 3 PLC ± 4 PLC ± ANGLES ±8° FINISH	NAME S. BOLASH PRODUCT SPEC - APPLICATION SPEC - WEIGHT -	HEATSINK EXTENDED, CXP SIZE A20779 CAGE CODE C-2274303 DRAWING NO. C-2274303 RESTRICTED TO -
SEE TABLE	SEE TABLE	Customer Drawing	SCALE 3:1 SHEET 1 OF 1 REV 1